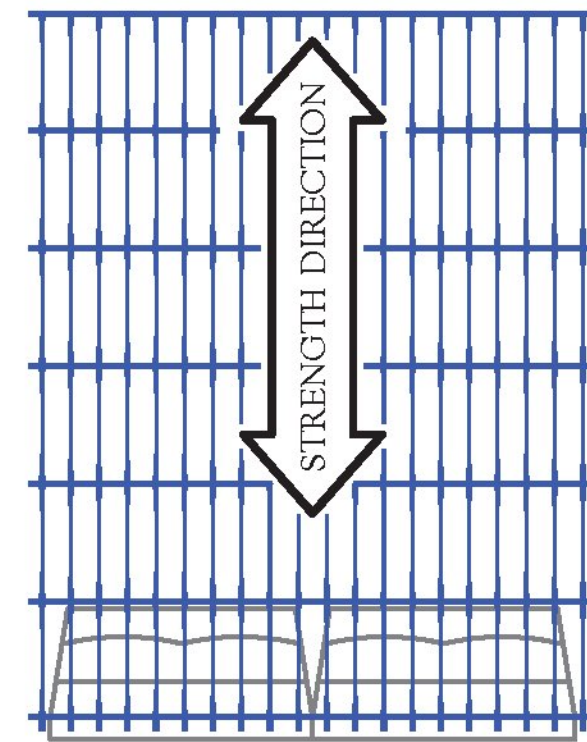


18-0989 3/11/2019 COPYRIGHT © 2011-2018 BY CIVIL DESIGN PROFESSIONALS. THIS DRAWING IS BEING FURNISHED FOR THIS SPECIFIC PROJECT ONLY. COPY AND/OR REUSE WITHOUT THE CONSENT OF CIVIL DESIGN PROFESSIONALS IS PROHIBITED.

NOTES:

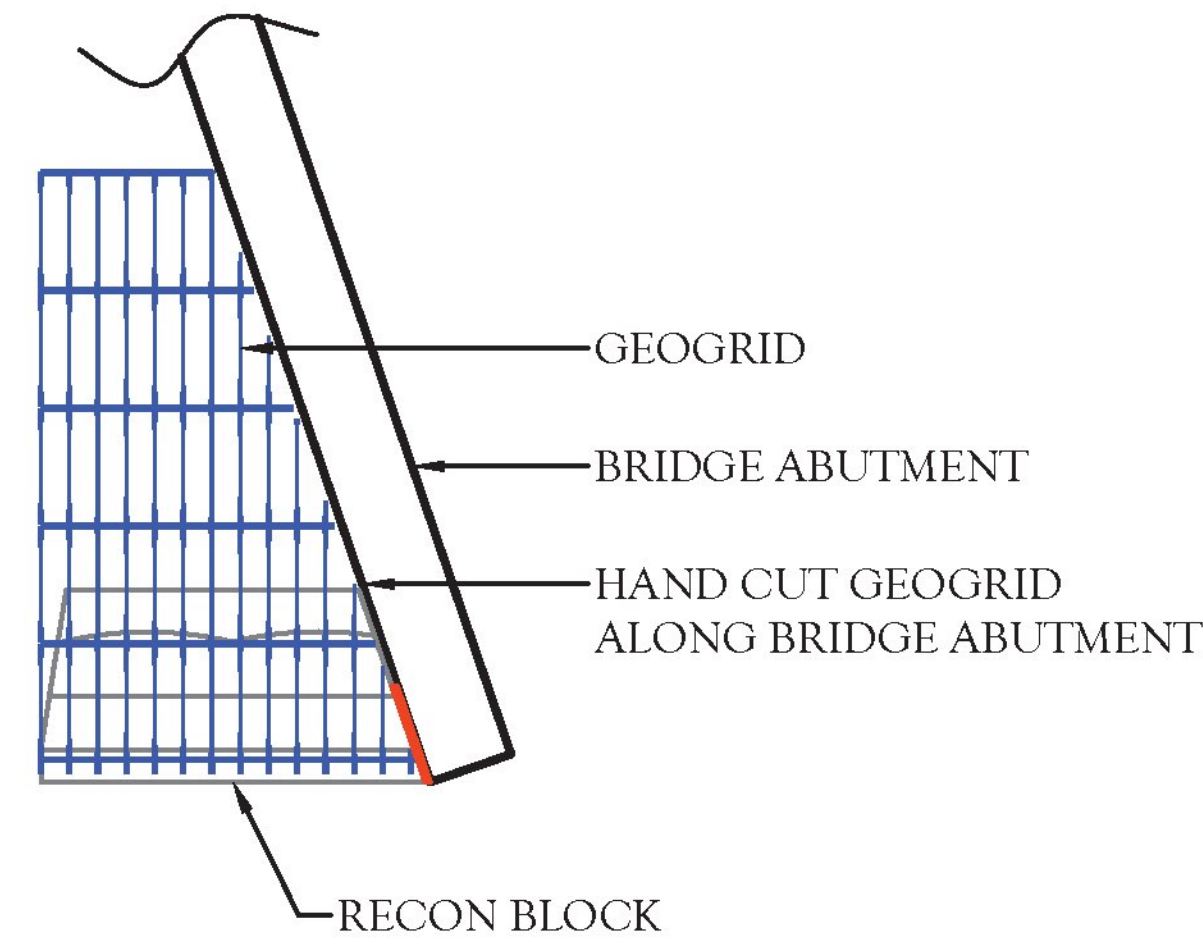
1. INSTALL GEOGRID IN ACCORDANCE WITH MANUFACTURER'S RECOMMENDATION AND CONSTRUCTION DRAWINGS.
2. LEVEL AND COMPACT BACKFILL MATERIAL TO THE LEVEL OF REINFORCEMENT.
3. POSITION GEOGRID OVER THE TONGUE AND GROOVE AND TO WITHIN 2" OF THE FRONT EXPOSED FACE. PLACE NEXT COURSE OF UNITS.
4. PRIOR TO BACKFILLING, PULL GEOGRID TAUT TO REMOVE WRINKLES AND FOLDS. STAKE GEOGRID AS REQUIRED.



1
4.01 **GEOGRID ORIENTATION**
SCALE: N.T.S.

NOTES:

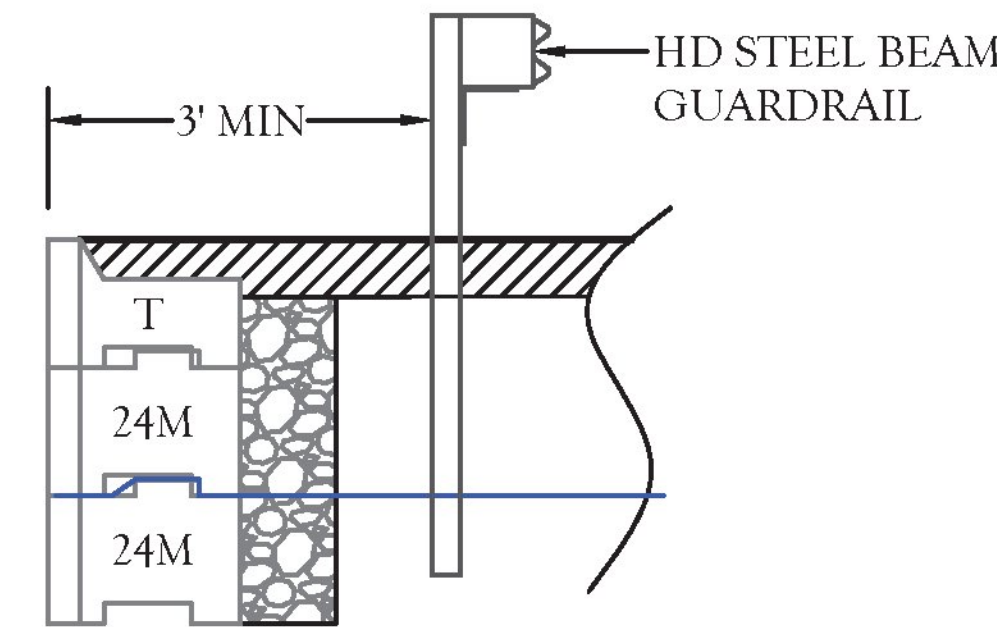
1. AT ABUTMENT LOCATIONS, HAND CUT GEOGRID ALONG BRIDGE ABUTMENT AS REQUIRED.



2
4.01 **BRIDGE ABUTMENT OBSTRUCTION**

NOTES:

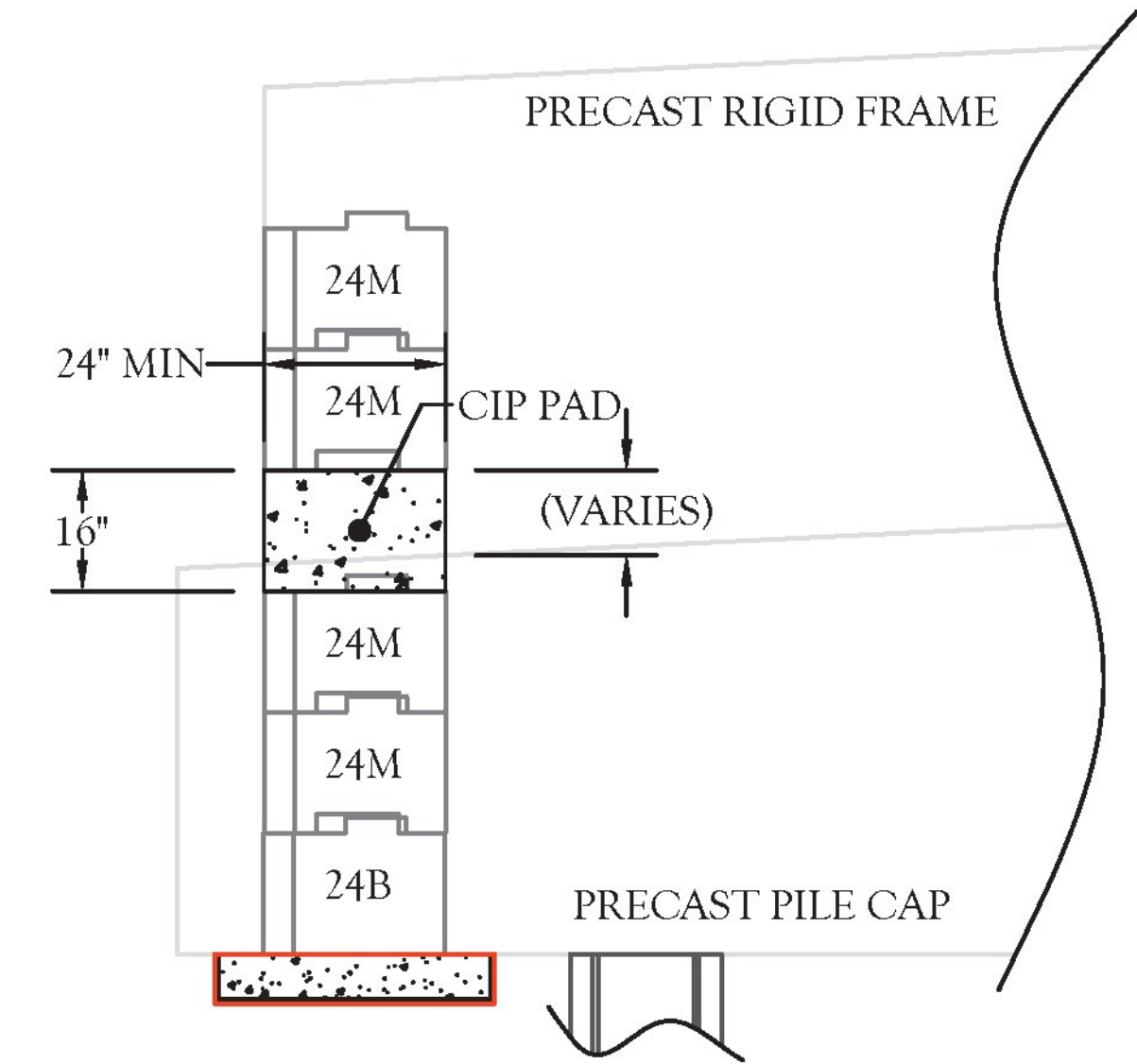
1. GUARDRAIL TO BE PER THE APPROVED SHOP DRAWINGS. CONSULT WITH THE CONTRACTOR AND RESIDENT ENGINEER FOR SPECIFIC REQUIREMENTS (TYPE, SIZE, SPACING, ETC.).
2. HD STEEL BEAM GUARDRAIL (SEE STD G-1).



3
4.01 **TYPICAL GUARDRAIL INSTALLATION**
SCALE: N.T.S.

NOTES:

1. DURING WALL CONSTRUCTION, FORM CIP PAD TO MATCH ELEVATION REQUIRED BY COURSING ELEVATION.
2. CIP PAD SHALL MEET THE REQUIREMENTS OF SUBSECTION 540.05 SECTION 501 FOR CONCRETE, HIGH PERFORMANCE CLASS A OR CONCRETE, HIGH PERFORMANCE CLASS B.



4
4.01 **CIP PAD DETAIL**
SCALE: N.T.S.

Approved

BY: R. Young

DATE: 3/13/19

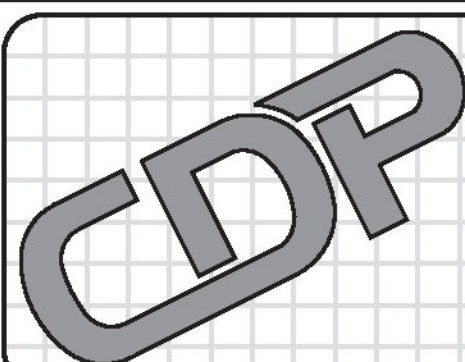
RESUBMIT: No

RECEIVED: March 12, 2019

CKD BY: G. Laroche/G. Dargan

**STATE OF VERMONT
AGENCY OF TRANSPORTATION**

Concrete Reinforcing Steel Institute Version 3.pdf



**CIVIL DESIGN
PROFESSIONALS**

8609 LYNDALE AVENUE SOUTH, SUITE 200 BLOOMINGTON, MN 55420
PHONE: (952) 305-5312 | WEBSITE: WWW.CDP.US.COM
RTE SOLUTION PROFESSIONALS, INC. D.B.A. CIVIL DESIGN PROFESSIONALS

No	Date	Revision	By
1	03.05.2019	REVIEW COMMENTS	TPH
2	03.11.2019	REVIEW COMMENTS	TPH
3			
4			
5			
6			

Designed By TPH	Project POULTNEY BRIDGE REPLACEMENT POULTNEY, VERMONT	Registration No. 74668
Scale AS NOTED	Title TYPICAL DETAILS	Project No. 18-0989
Date JAN 17, 2019		Sheet No. 4.01

Date: 3/13/19
CURT J. DERICHS, P.E.