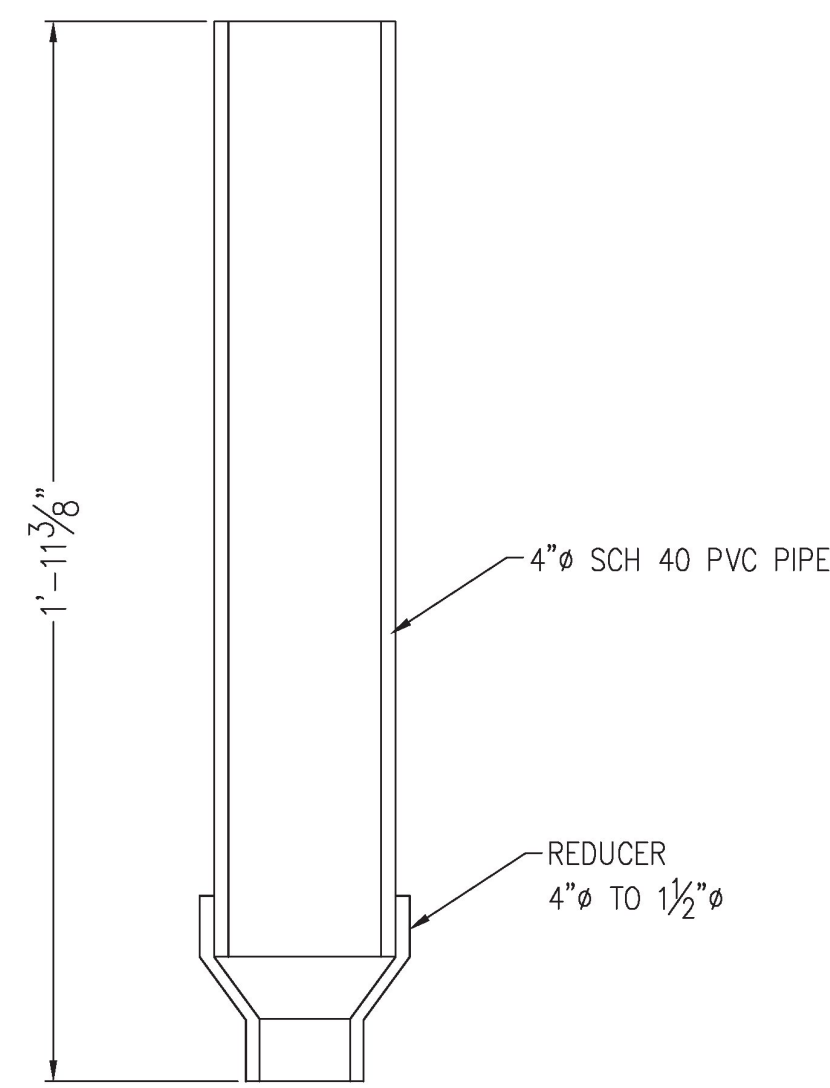


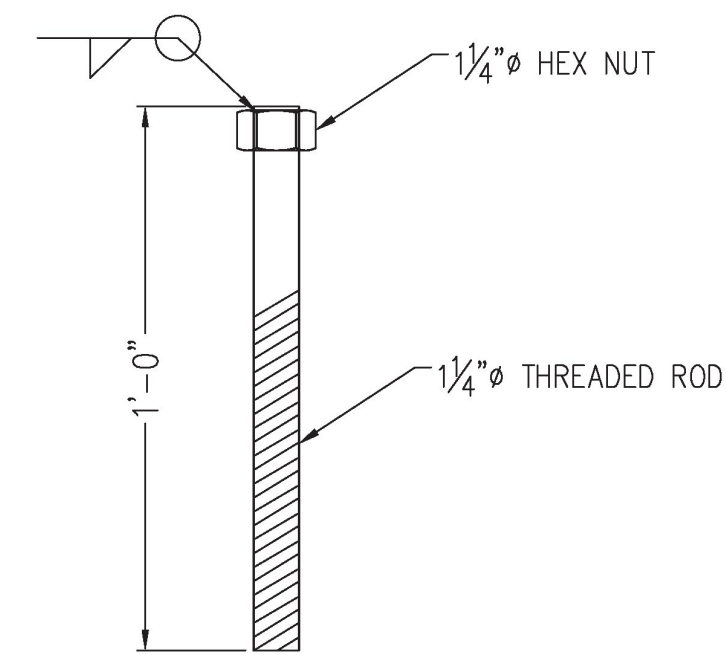
Approved AsNoted

BY: R. Young
 DATE: 03/07/19
 RESUBMIT: No
 RECEIVED: March 5, 2019
 CKD BY: G. Laroche/G. Dargan/K. Moulton

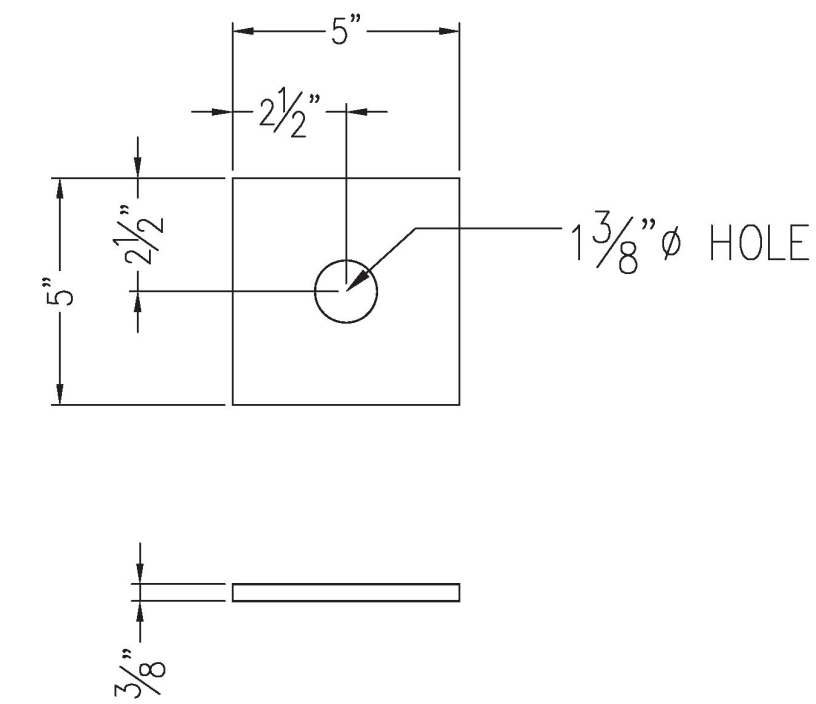
**STATE OF VERMONT
 AGENCY OF TRANSPORTATION**



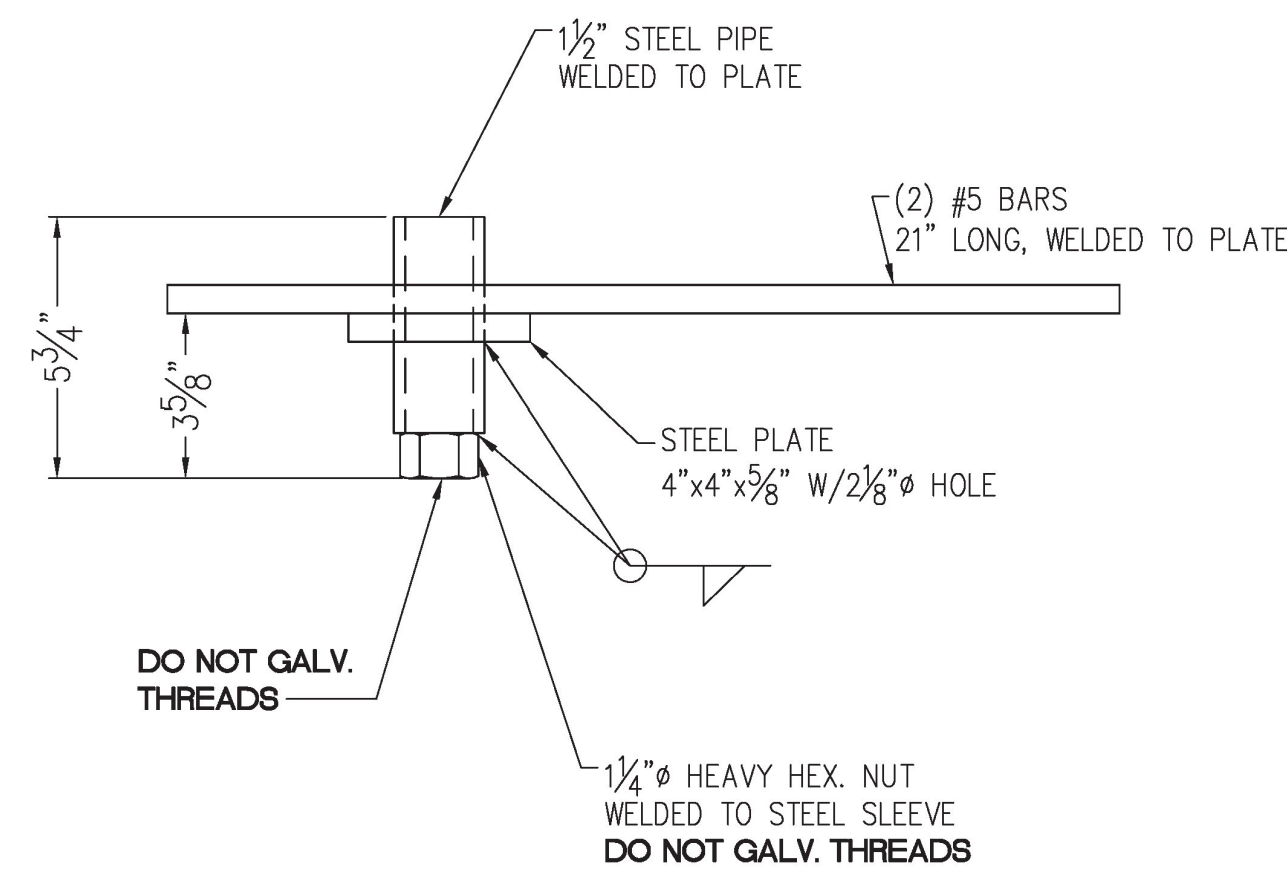
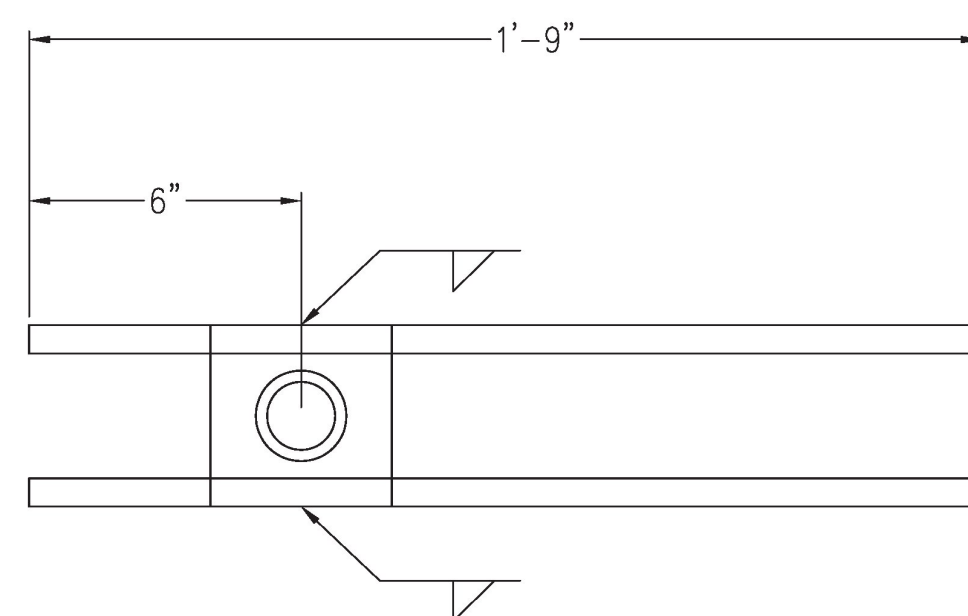
**LEVELING ASS'Y
 VOID (8) REQUIRED**



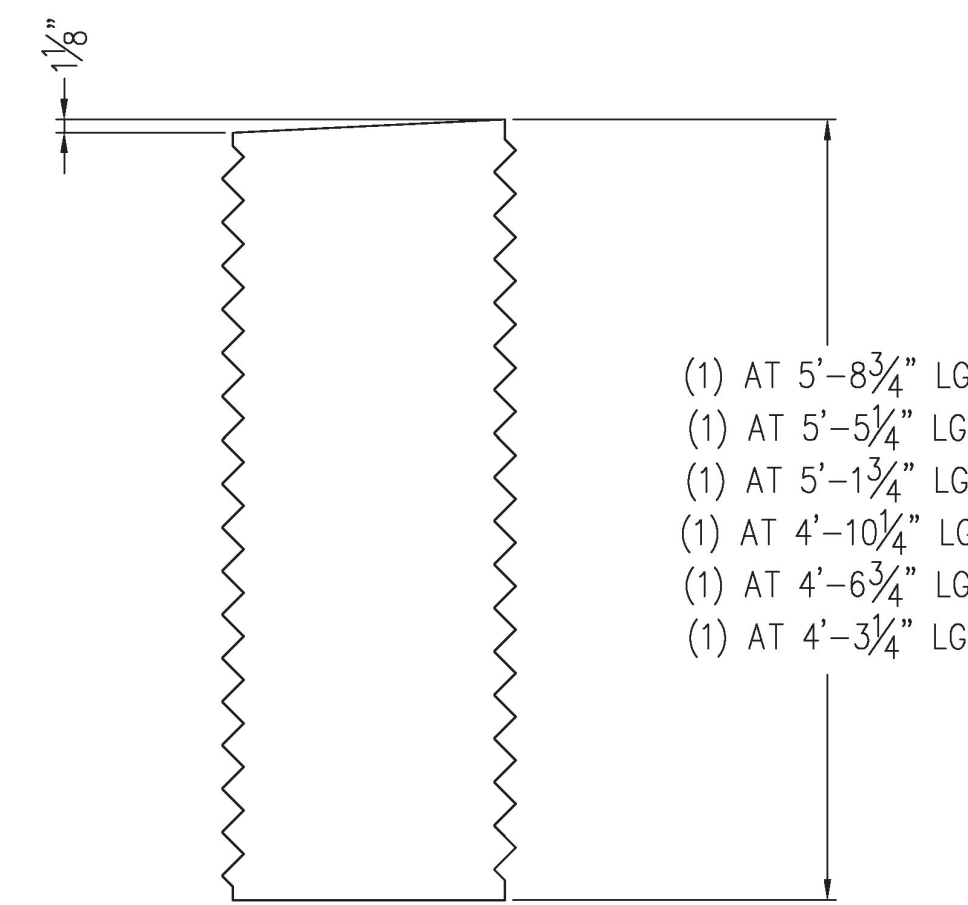
**LEVELING ASS'Y BOLT
 (8) REQUIRED
 GALV. THREADED ROD and NUT**



**STAINLESS STEEL 5"x5" PLATE WASHER
 (34) REQUIRED**



**LEVELING ASS'Y
 (8) REQUIRED**



(6) 24"Ø CORRUGATED STEEL PIPE

MATERIAL LIST

TOTAL QUANTITY	ITEM DESCRIPTION
24	GALV. 8 TON LIFTING ANCHOR, DAYTON P-52, 10" LONG OR EQUAL
48	GALV. 20 TON LIFTING ANCHOR, DAYTON P-52, 10" LONG OR EQUAL
48	GALV. 20 TON LIFTING ANCHOR, DAYTON P-53 OR EQUAL
48	20 TON TENSION BAR, DAYTON P-60, #9 BAR EPOXY COATED OR EQUAL
12	GALV. PLATE WASHER, PENNSYLVANIA INSERTS CORP. #4024
6	3/4"Ø x 23" LG GALV. THREADED ROD, GRADE B7
12	3/4"Ø GALV. NUT ASTM A193
8	LEVELING ASS'Y (SEE DETAIL)
8	LEVELING BOLTS, GALVANIZED (SEE DETAIL)
8	LEVELING PVC SLEEVES AND REDUCER (SEE DETAIL)
18	STAINLESS STEEL 1/4"Ø COIL ROD, 1/4"Ø x 18" LG
36	STAINLESS STEEL 1/4"Ø COIL NUTS
18	STAINLESS STEEL 1/4"Ø STD. WASHER
18	STAINLESS STEEL 5"x5"x3/8" PLATE WASHER
18	STAINLESS STEEL 1/4"Ø COIL INSERT, DAYTON #F-58
18	3"Ø PVC SLEEVES, 1'-0" LONG
18	2 3/8"Ø CORRUGATED PVC SLEEVES, 2'-3" LONG
6	24"Ø CORRUGATED STEEL PIPE 4'-3" TO 5'-9" LONG (SEE DETAIL)

UNITED CONCRETE PRODUCTS, Inc.	PRECAST CONCRETE MATERIAL LIST	PROJECT #34491
173 CHURCH STREET YALESVILLE, CT 06492 TEL: (203)-269-3119 FAX: (203)-265-4941	CUSTOMER: BUR CONSTRUCTION, LLC JOB: BRIDGE 0138(12) IMPROVEMENTS LOCATION: POULTNEY, VT REVISED 1-30-2018 DH	SCALE: NONE DATE: 11/09/18 SHEET: B-ML DRW: DH CHK: JLT