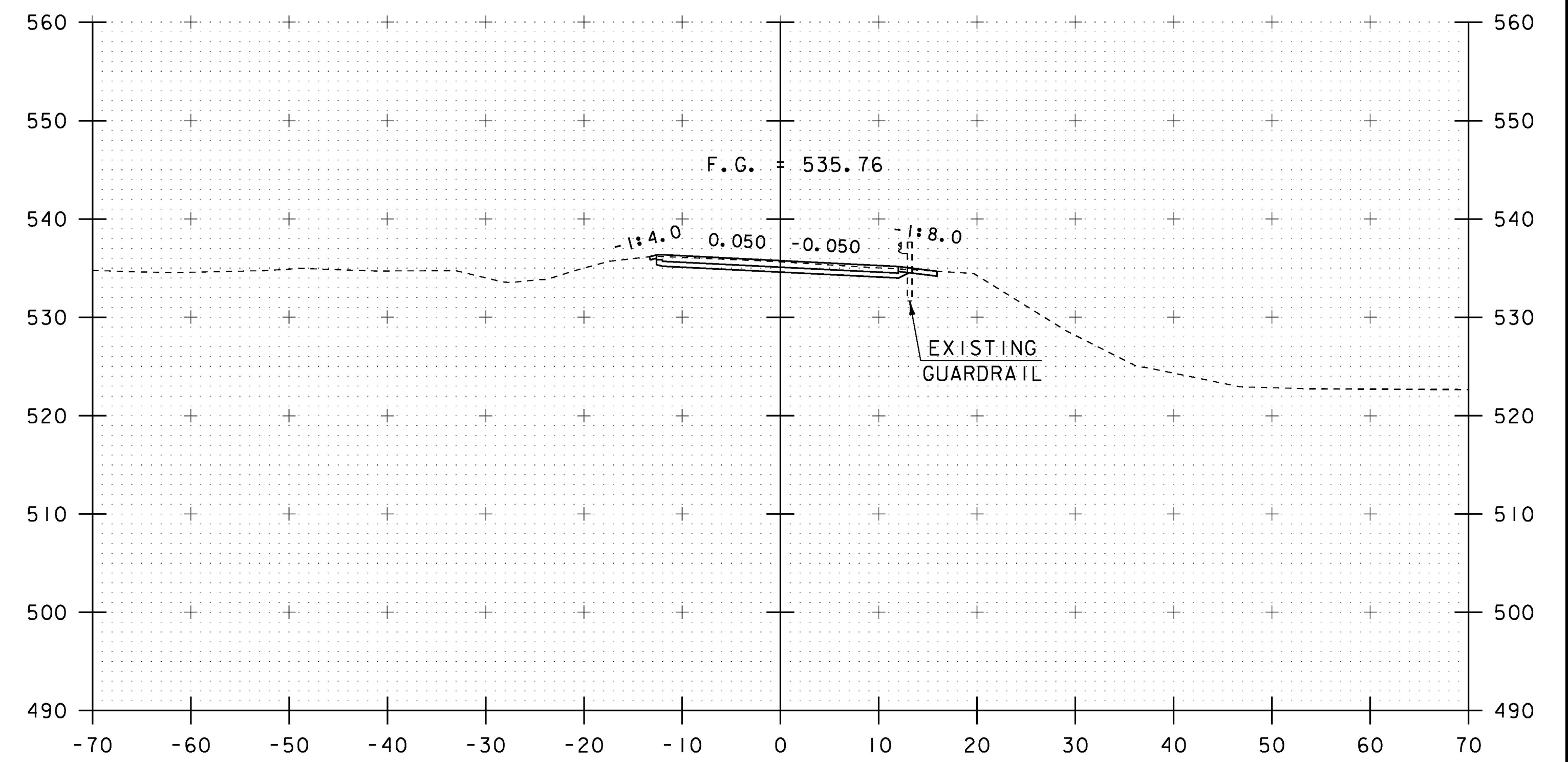
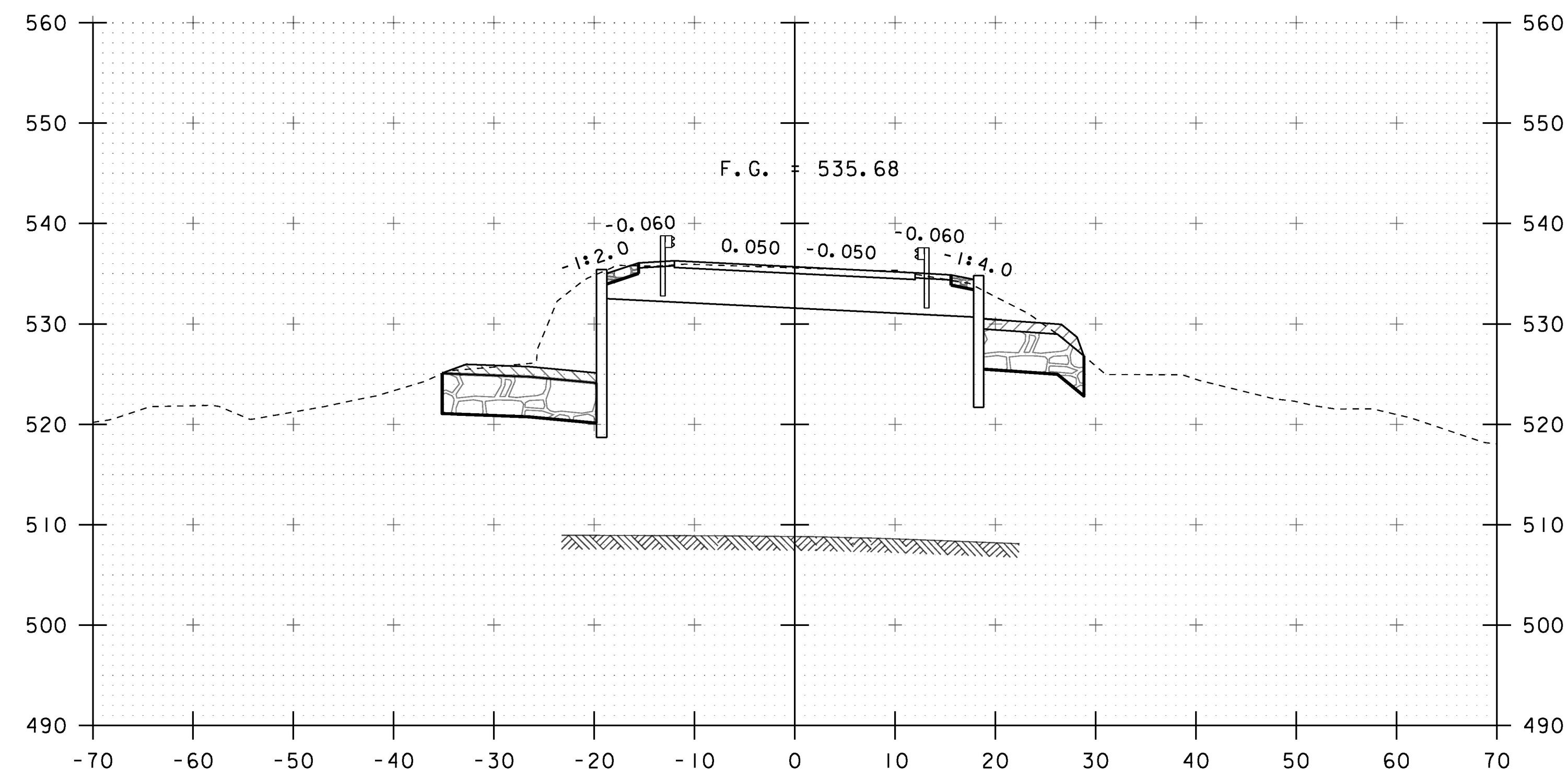


115+25

STA 115+25.00  
END PROJECT

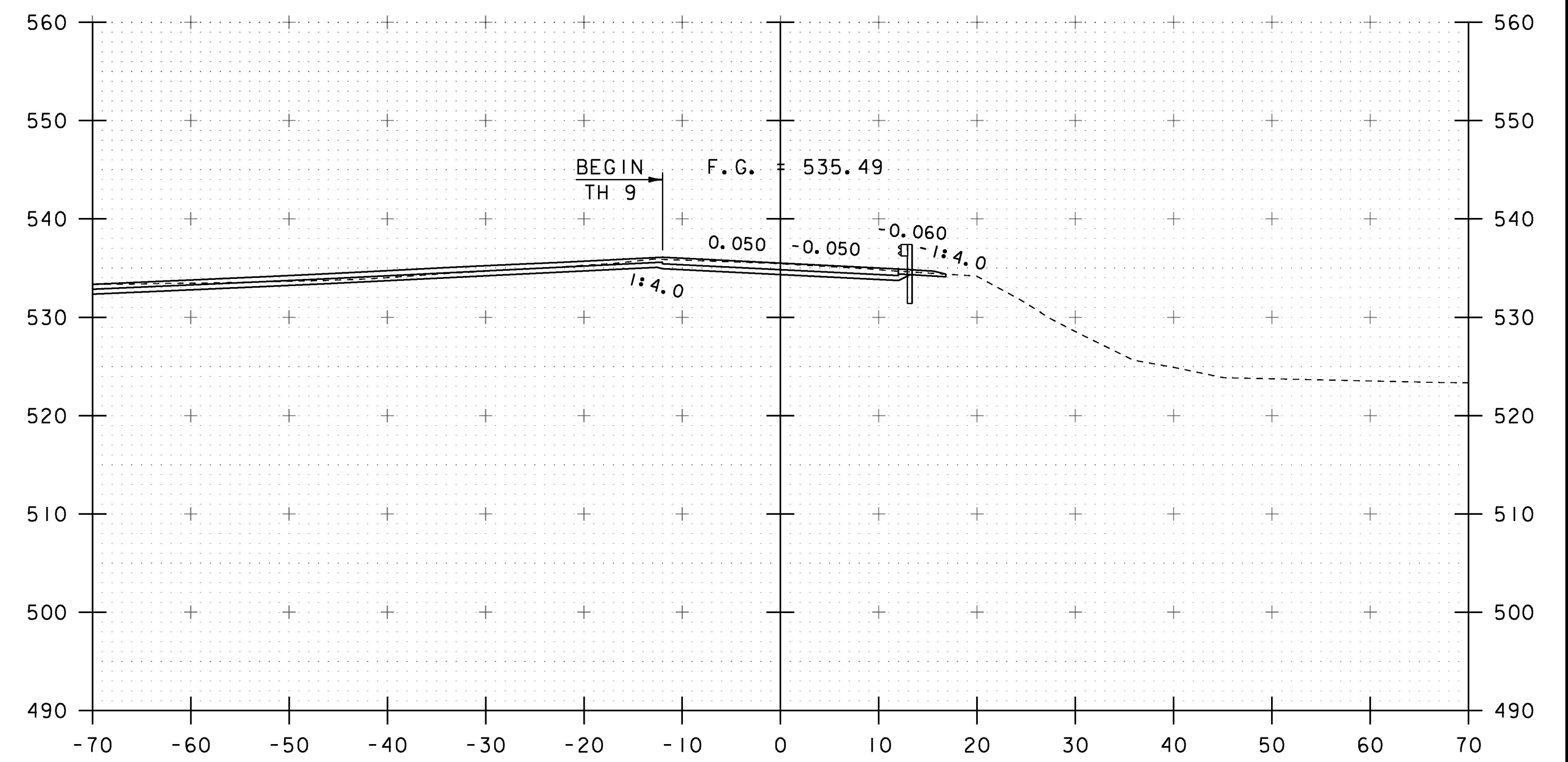


115+75



115+00

STA 114+92.29  
END BRIDGE



115+50



STA. 115+00 TO STA. 115+75

PROJECT NAME: POULTNEY	PLOT DATE: 15-AUG-2018
PROJECT NUMBER: BF 0138(12)	DRAWN BY: G. DARGAN
FILE NAME: s13j276xs.dgn	DESIGNED BY: G. DARGAN
PROJECT LEADER: R. YOUNG	CHECKED BY: G. LAROCHE
DESIGNED BY: G. DARGAN	SHEET 34 OF 46
MAINLINE CROSS SECTIONS (3)	