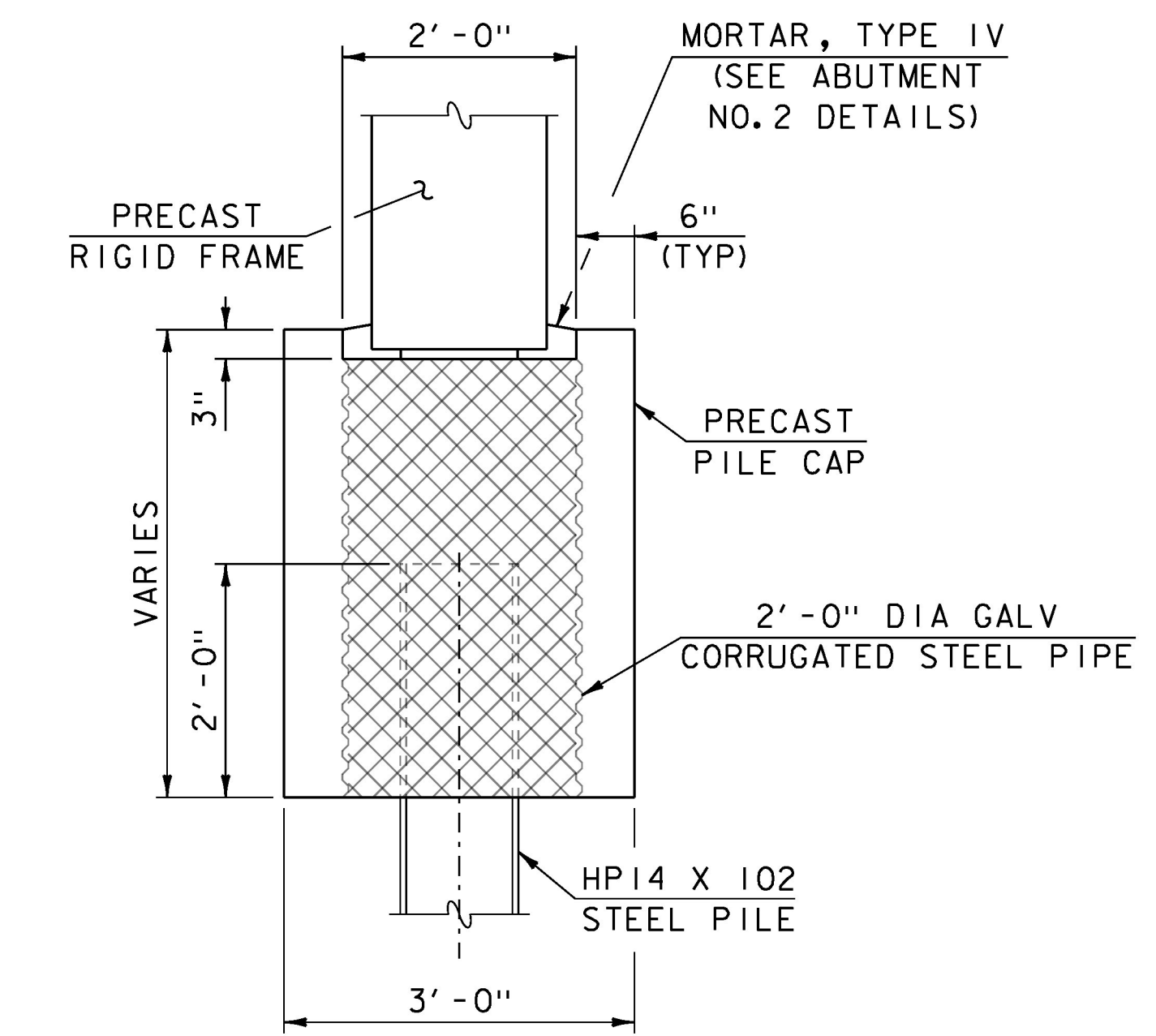


ABUTMENT NO. 2 PLAN

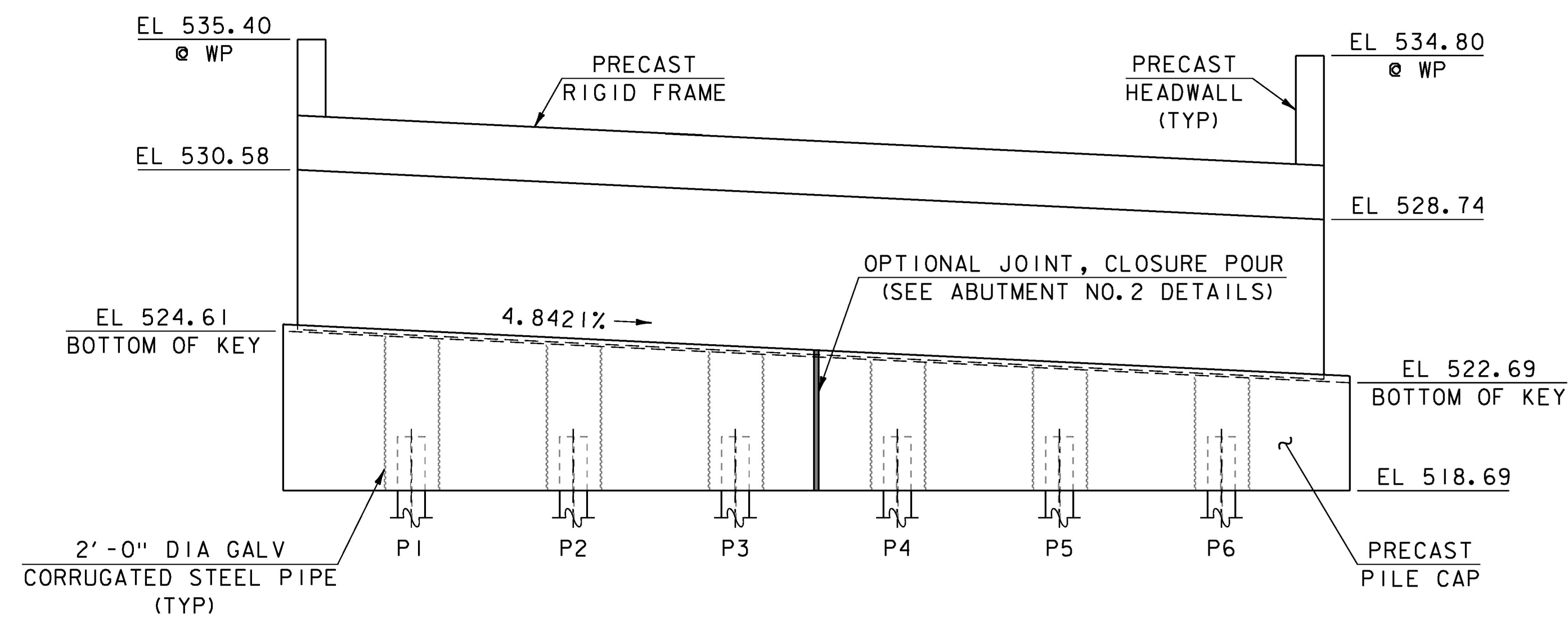
SCALE: 1/4" = 1'-0"



ABUTMENT NO. 2 TYPICAL SECTION

SCALE: 3/4" = 1'-0"

▣ LIMITS OF SPECIAL PROVISION (HIGH PERFORMANCE CONCRETE, RAPID SET) (FPQ)



ABUTMENT NO. 2 ELEVATION

SCALE: 1/4" = 1'-0"

NOTES:

1. A FRAME LEG THICKNESS OF 1'-6" WAS ASSUMED FOR THE GENERATION OF PLANS.
2. USE GALVANIZED STEEL PIPE THAT CONFORMS TO SUBSECTION 711.01 FOR PILE VOIDS.

PROJECT NAME: POULTNEY	PLOT DATE: 23-AUG-2018
PROJECT NUMBER: BF 0138(12)	DRAWN BY: G. ROY
FILE NAME: s13j276sub.dgn	CHECKED BY: G. LAROCHE
DESIGNED BY: G. DARGAN	ABUTMENT NO. 2 PLAN AND ELEVATION
SHEET 30 OF 46	