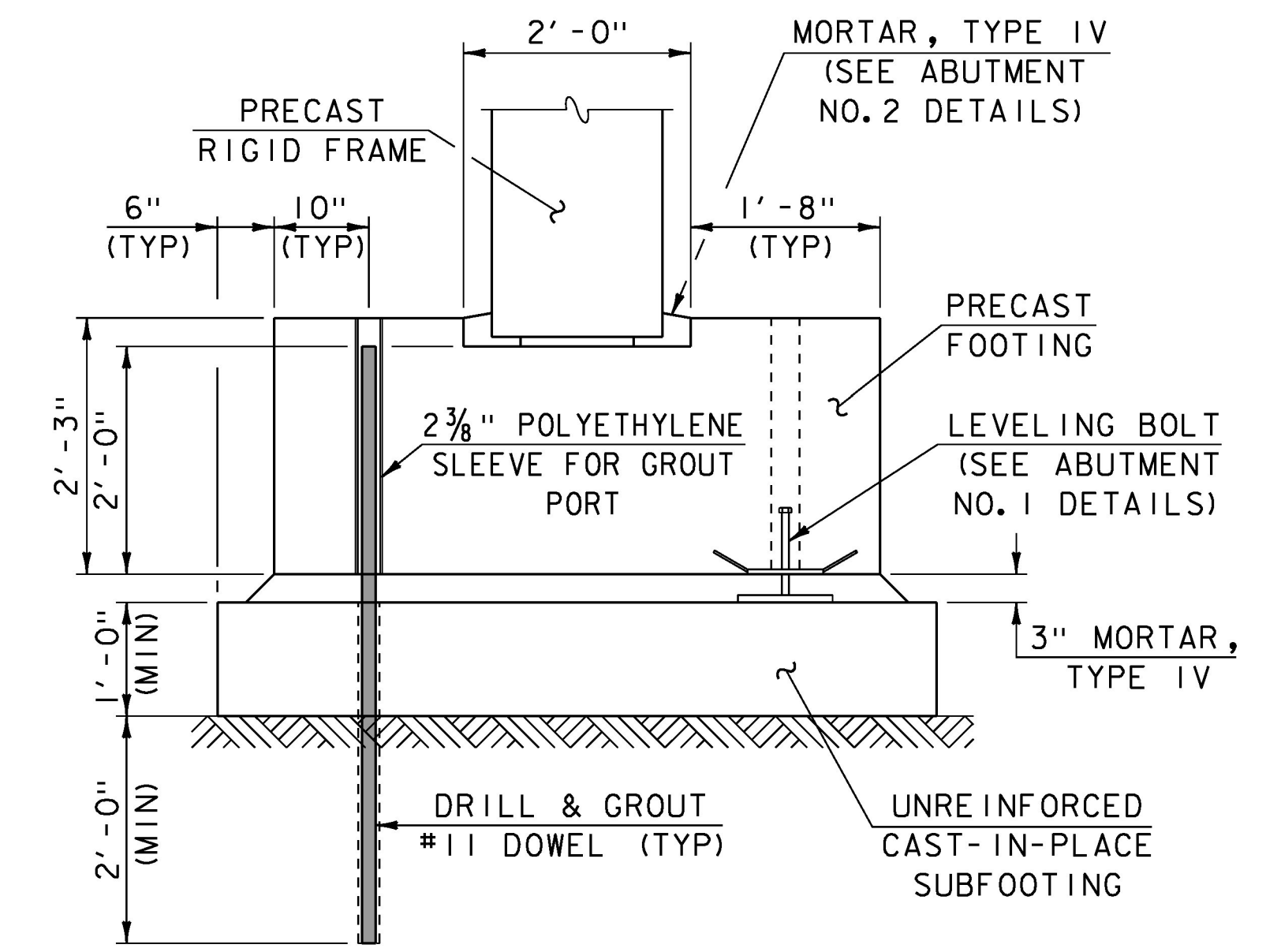
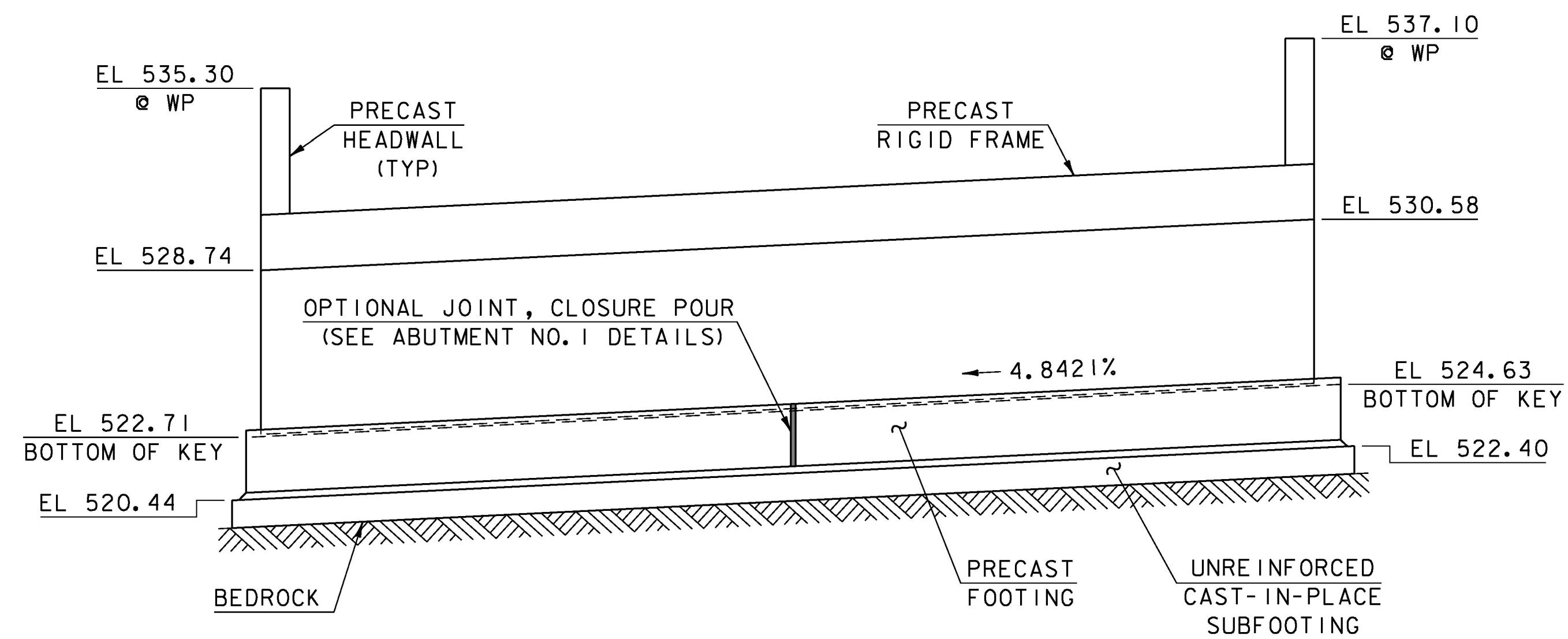


ABUTMENT NO. 1 PLAN
SCALE: 1/4" = 1'-0"



ABUTMENT NO. 1 TYPICAL SECTION
SCALE: 3/4" = 1'-0"



ABUTMENT NO. 1 ELEVATION
SCALE: 1/4" = 1'-0"

PROJECT NAME:	POULTNEY	PLOT DATE:	23-AUG-2018
PROJECT NUMBER:	BF 0138(12)	DRAWN BY:	G. ROY
FILE NAME:	sl3j276sub.dgn	CHECKED BY:	G. LAROCHE
PROJECT LEADER:	R. YOUNG	DESIGNED BY:	G. DARGAN
ABUTMENT NO. 1 PLAN AND ELEVATION		SHEET	28 OF 46