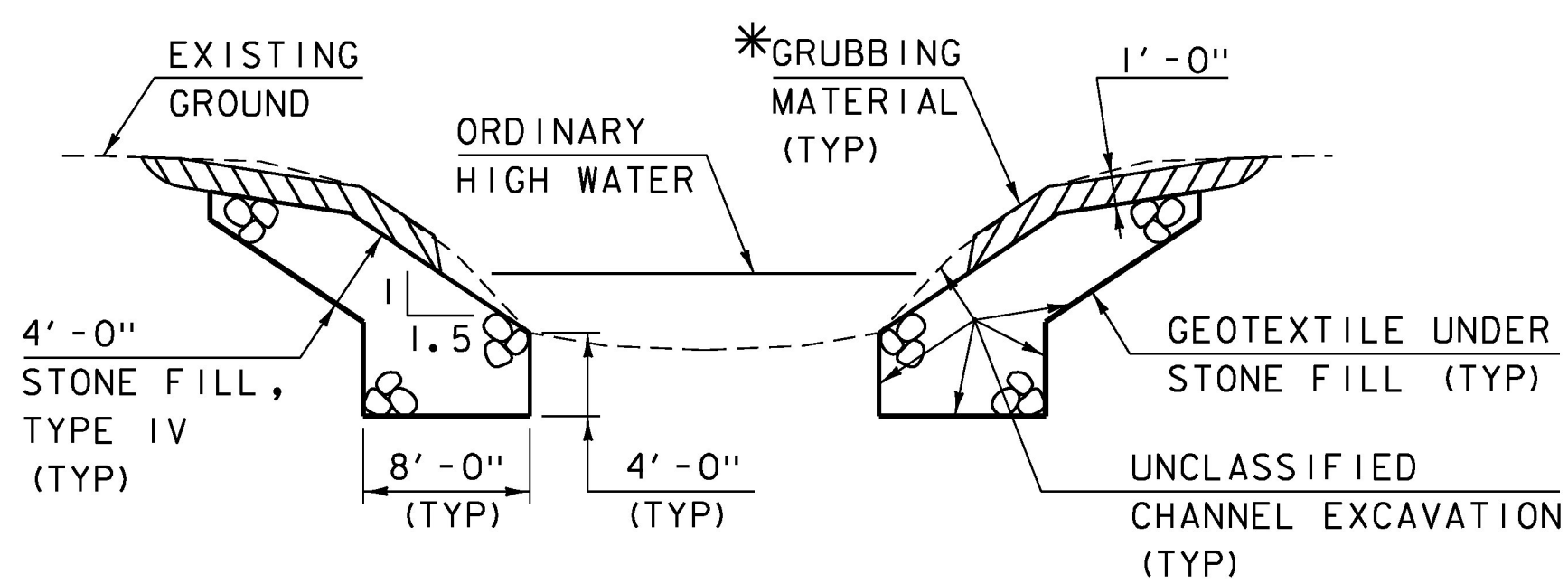


TYPICAL WEEPHOLE DETAIL

NOT TO SCALE

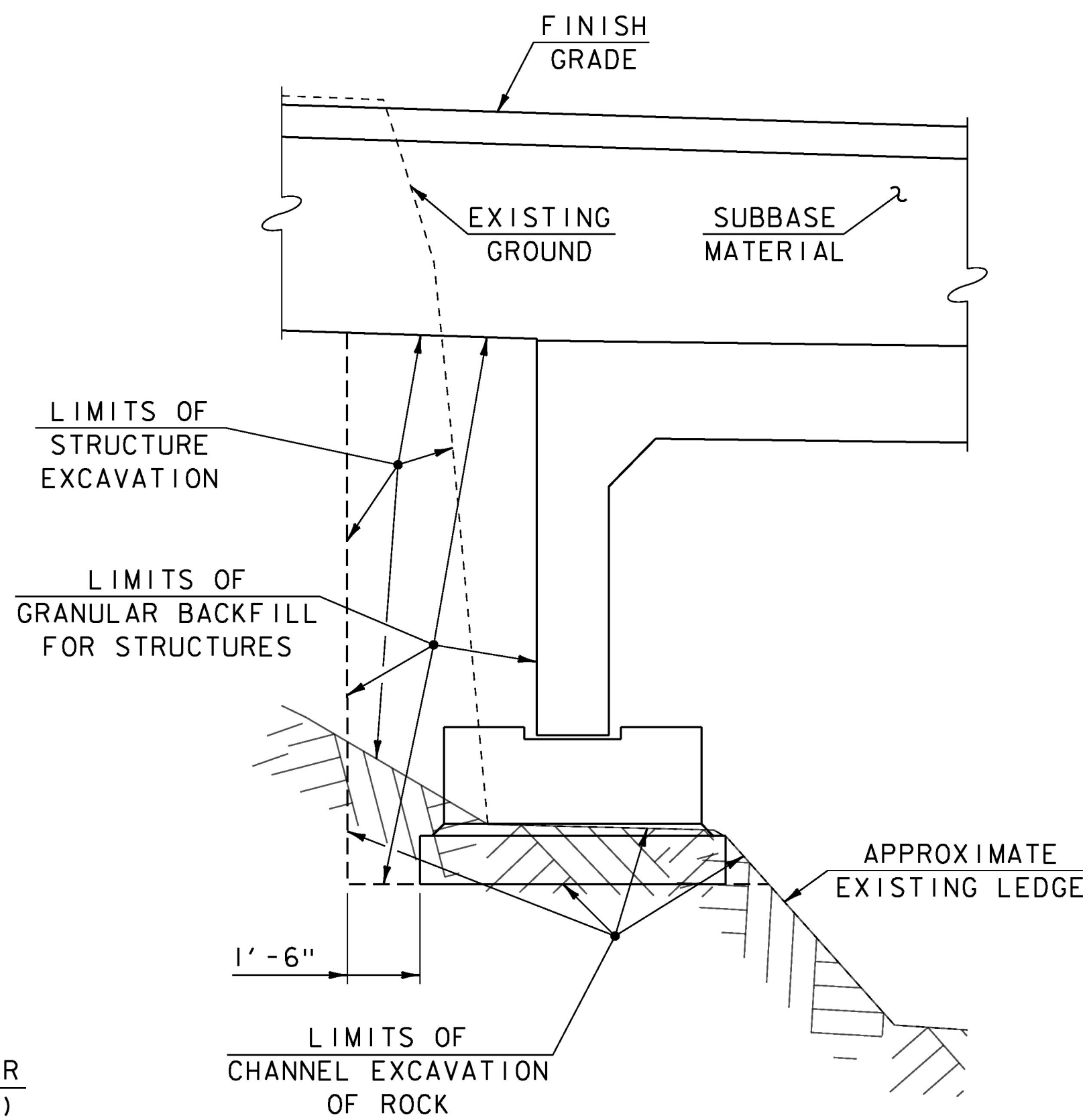
PLACE WEEPHOLES IN FRAME LEG ON ABUTMENT NO. 1 SIDE. SPACE 1'-0" FROM BOTTOM OF FRAME LEG AND AT A FREQUENCY OF ONE PER 10' (MIN).



TYPICAL CHANNEL SECTION

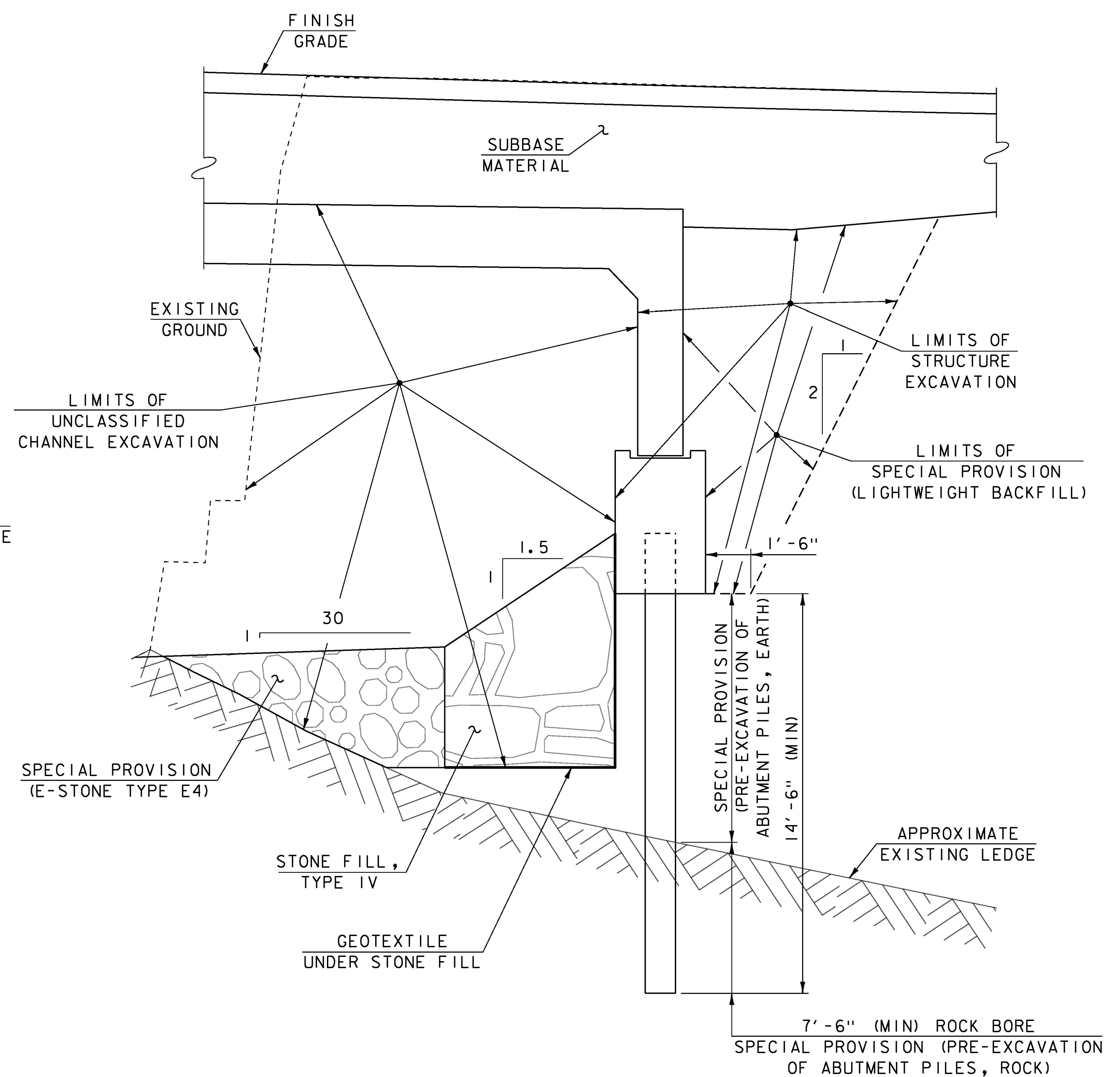
(NOT TO SCALE)

*WHENEVER CHANNEL SLOPE INTERSECTS ROADWAY SUBBASE, GRUBBING MATERIAL SHALL BEGIN AT THE BOTTOM OF SUBBASE.



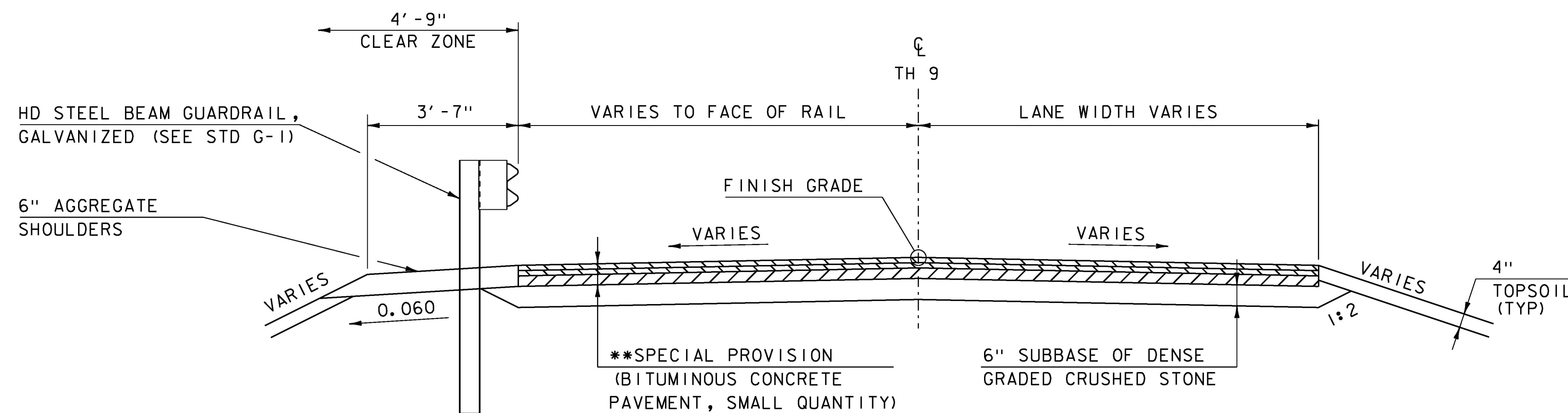
ABUTMENT NO. 1 EARTHWORK SECTION

NOT TO SCALE



ABUTMENT NO. 2 EARTHWORK SECTION

NOT TO SCALE



TH 9 TYPICAL SECTION

NOT TO SCALE

** 1 1/2" TYPE IVS, OVER
1 1/2" TYPE IVS, OVER
3" TYPE IIS

PROJECT NAME: POULTNEY	PLOT DATE: 23-AUG-2018
PROJECT NUMBER: BF 0138(12)	DRAWN BY: G. DARGAN
FILE NAME: s13j276typ.dgn	CHECKED BY: G. LAROCHE
PROJECT LEADER: R. YOUNG	TYPICAL SECTIONS (2)
DESIGNED BY: G. DARGAN	SHEET 4 OF 46