

APPROVED: Approval of drawings and/or procedures indicates concurrence with the information presented and does not relieve the Contractor or Fabricator of compliance with all specifications and code requirements	
APPROVED AS NOTED	X
REVISE AND RESUBMIT	
NOT REVIEWED	
Date: 8/23/16	
By: George Rogue	
This review by Stantec Consulting Services Inc. is for the sole purpose of ascertaining conformance with the general design concept. This review shall not mean that Stantec Consulting Services Inc. approves the detail design inherent in the shop drawings, responsibility for which shall remain with the Contractor. Submitting same, and such review shall not relieve the Contractor of his responsibility for errors or omissions in the shop drawing or of his responsibility for meeting all requirements of the Contract Documents. The contractor is responsible for dimensions to be confirmed and correlated at the job site, for information that pertains solely to the fabrication processes or to techniques of construction and installation and for coordination of the work of all subtrades.	



Vermont Agency of Transportation

RECEIVED

ON: September 13, 2016

and Checked for

CONFORMANCE

BY: Mark Sargent DATE: 09/13/2016

BILL OF MATERIALS

QTY	MARK	SHAPE	LENGTH	REMARKS
3	1A1	REPAIR A ASSEMBLY		
3	1p6	Plate 5/16 x 16	2'-11"	
40	1p1	Plate 5/16 x 9	1'-4"	
6	1p2	Plate 5/16 x 15	1'-4"	
10	1p3	Plate 3/8 x 3	0'-9"	
		7/8" Hex Head Bolt x 2" lg with Nut and Washer		
2	1C1	REPAIR C ASSEMBLY		
2	1p4	Plate 5/8 x 3 1/4	2'-10"	Charpy
16		7/8" Hex Head Bolt x 2" lg with Nut and Washer		
6	1D1	SCUPPER EXTENSION		
12	1a4	L 3 x 3 x 1/4	0'-10"	
6	1t1	Tube 12 x 12 x 3/8	2'-0"	
12		1/4" Black EPDM		
24		7/8" Rod x 8" lg, 4 Nuts and 2 Washers		
9	1E1	REPAIR E ASSEMBLY		
9	1p5	Plate 1/2 x 3	1'-3 1/4"	Charpy
36		7/8" Hex Head Bolt x 2" lg with Nut and Washer		
25	1G1	LATTICE REPLACEMENT		
50	1p7	Plate 1/2 x 2 1/2	1'-10 1/4"	
125		7/8" Hex Head Bolt x 2" lg with Nut and Washer		

REPAIR NOTES

1. ALL STRUCTURAL STEEL SHALL CONFORM TO AASHTO M 270/M 270 GRADE 36, PAINTED.
2. ALL HIGH STRENGTH 7/8" HEX HEAD BOLTS, NUTS AND WASHERS SHALL BE IN ACCORDANCE WITH AASHTO M-164 TYPE 1 GALVANIZED.

3. DTE & SUPPLIER'S W/ 1" RUSS BOLTS

DRAWING COVERS

TRUSS REPAIR DETAILS

PROJECT	MORRISTOWN BF 0239(3)
LOCATION	CADYS FALLS ROAD over LAMOILLE RIVER
ENGINEER	VERMONT AGENCY OF TRANSPORTATION
CUSTOMER	BLOW & COTE, INC.

MERRIMACK SHEET METAL

119 HALL STREET
CONCORD NH 03301

Tel. 603.224.7766
Fax 603.224.7925

DRAWN BY:
RL

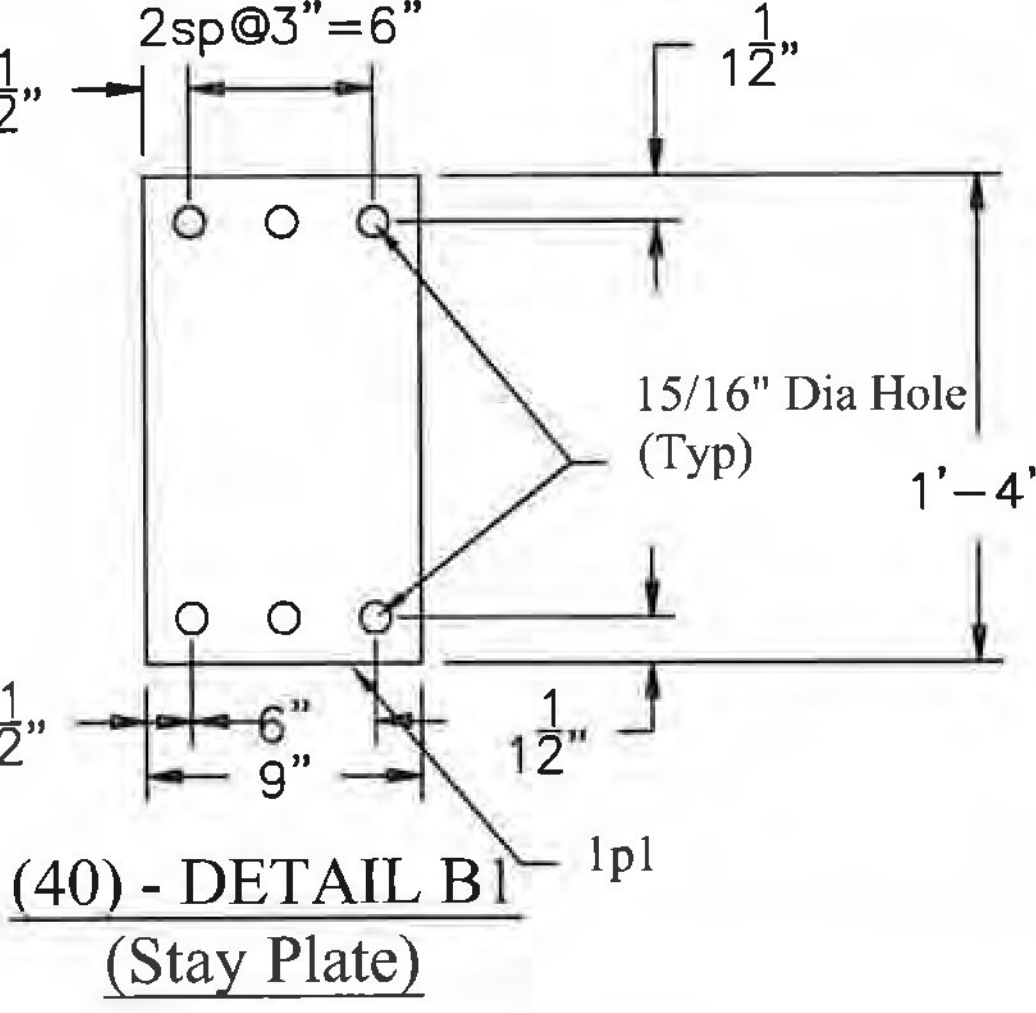
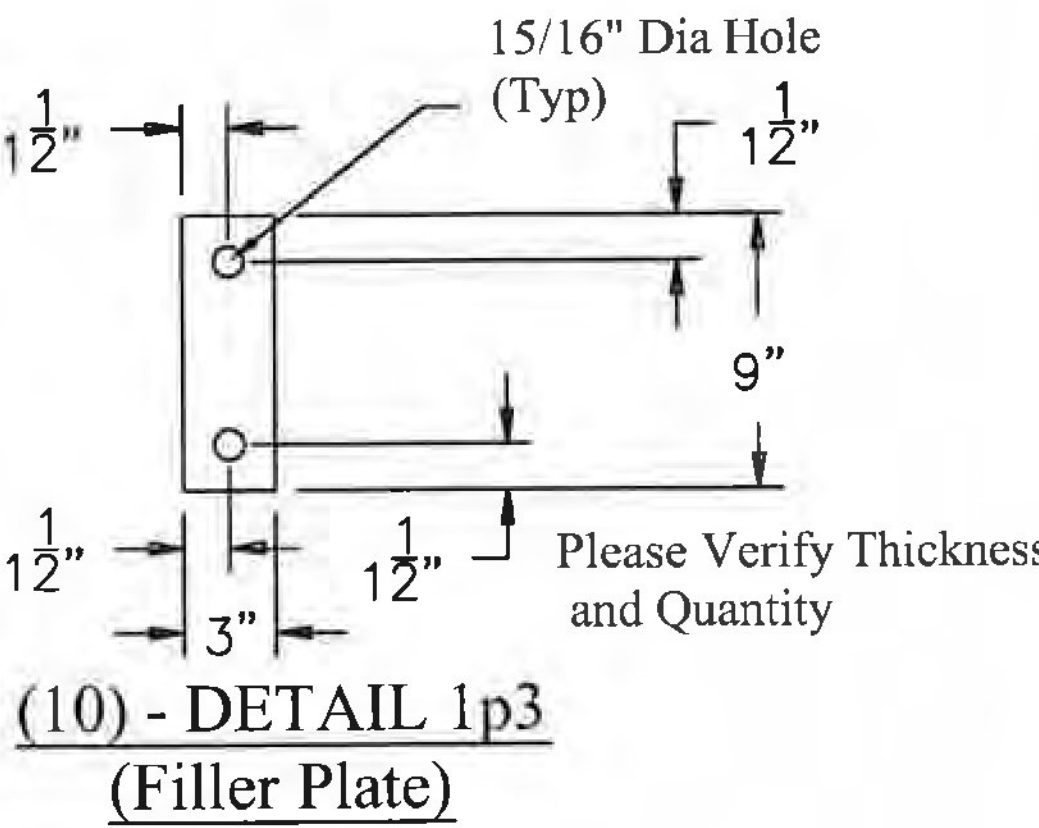
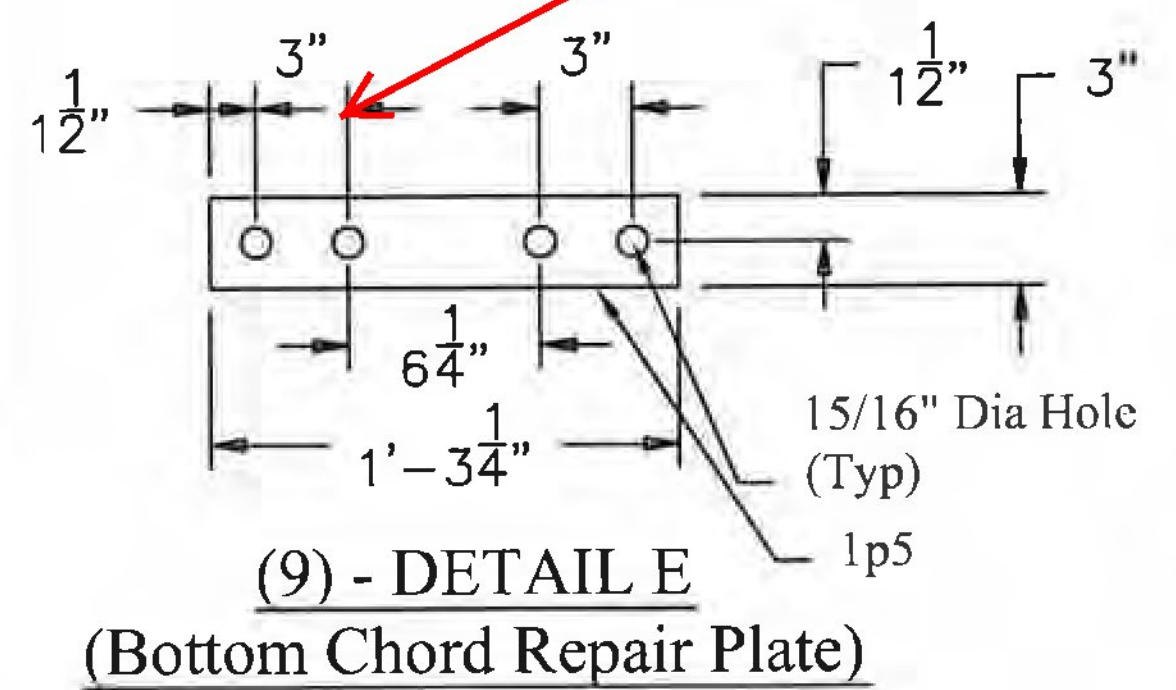
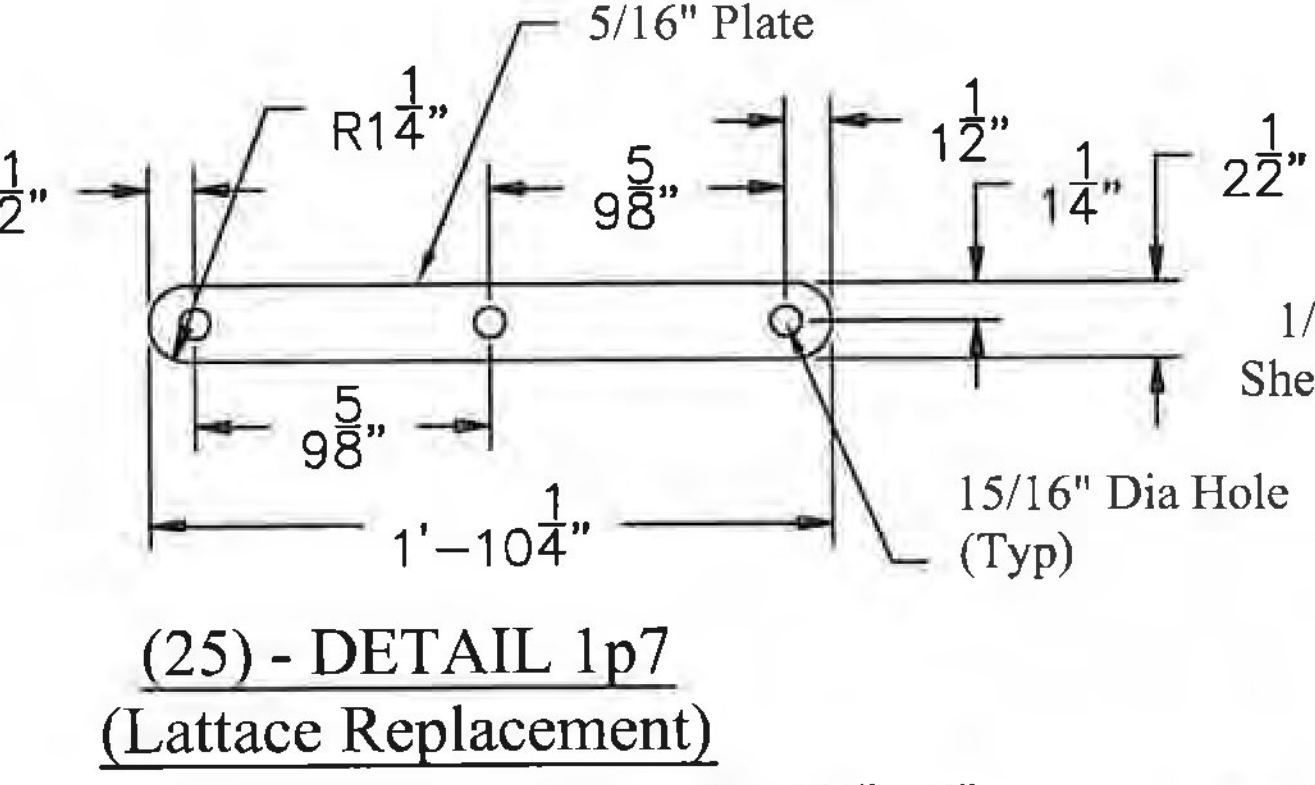
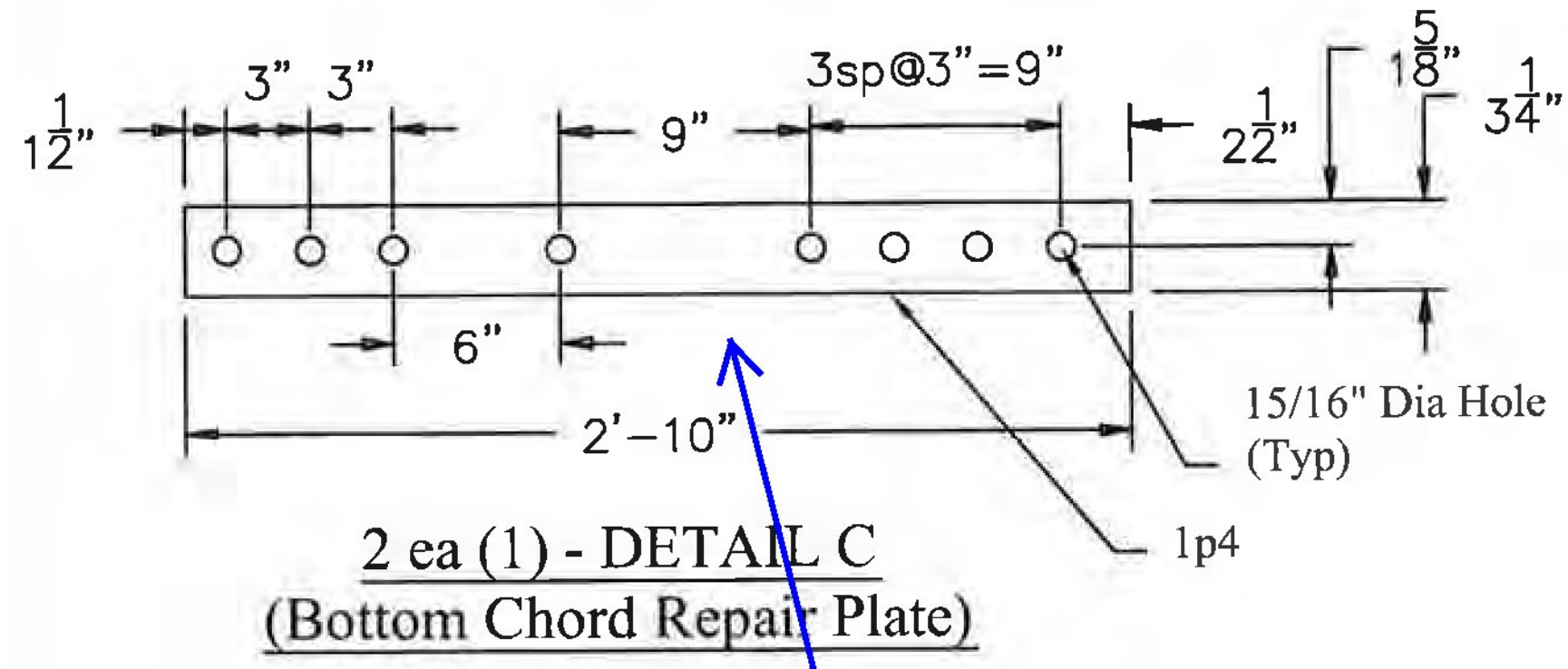
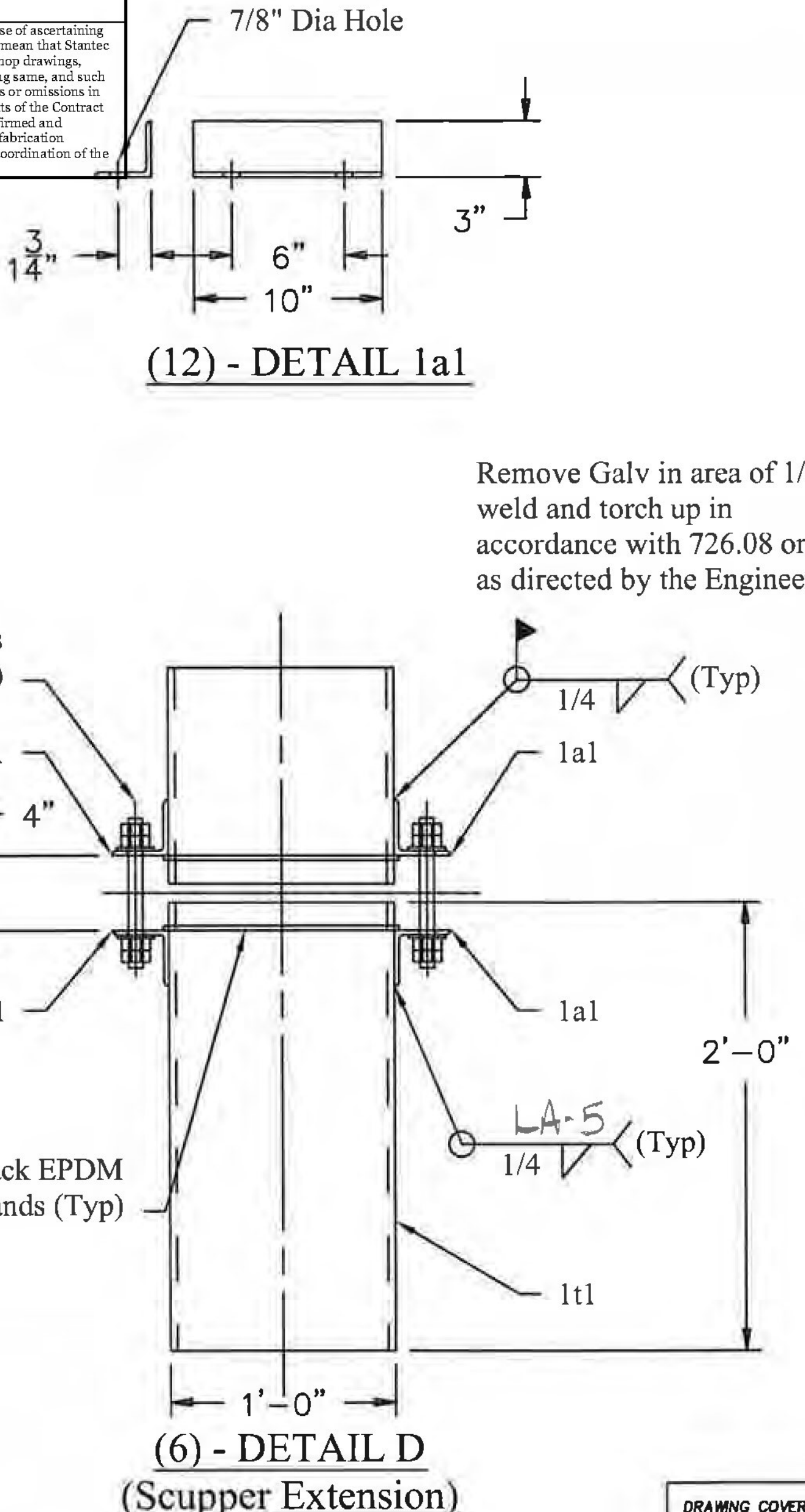
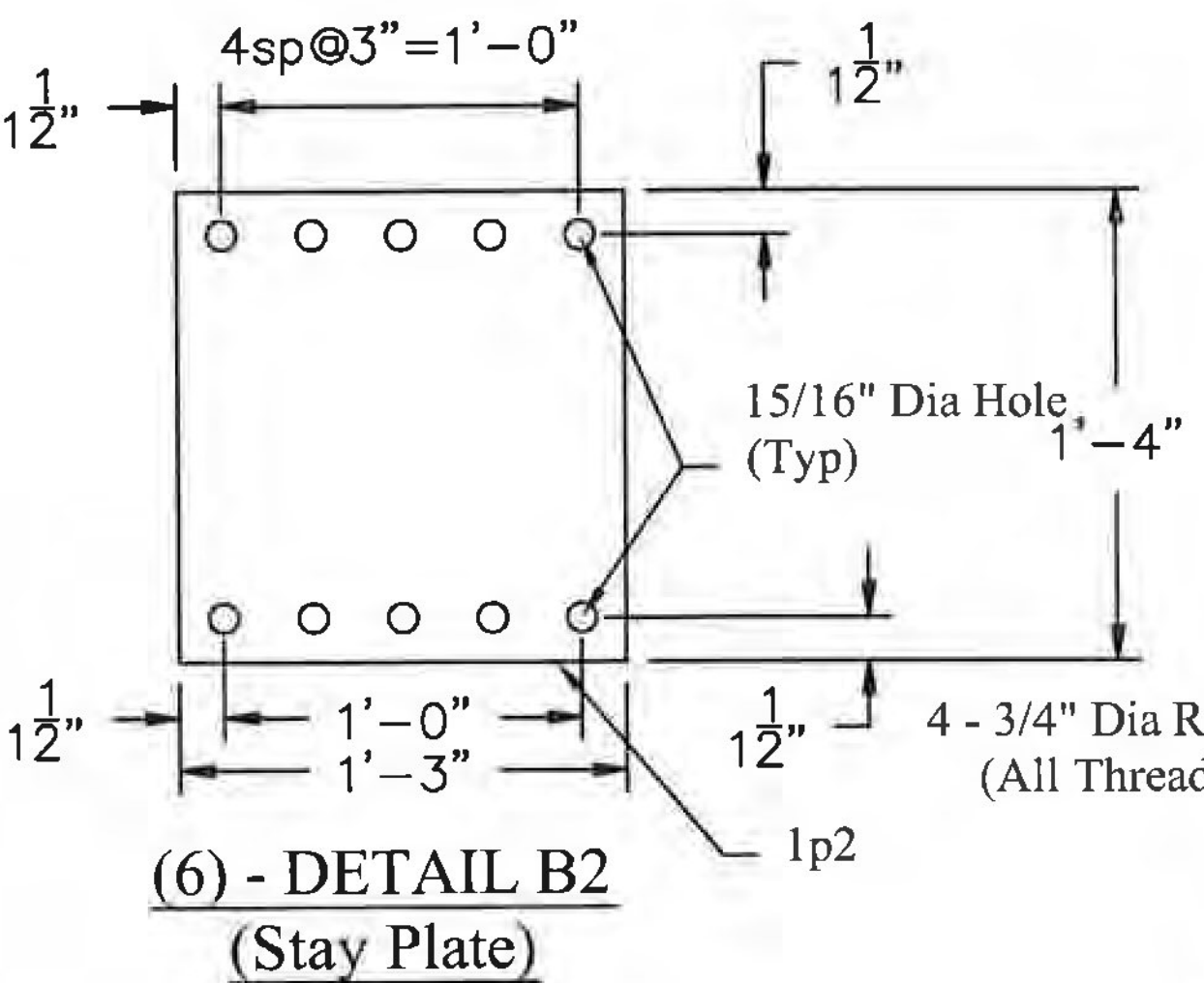
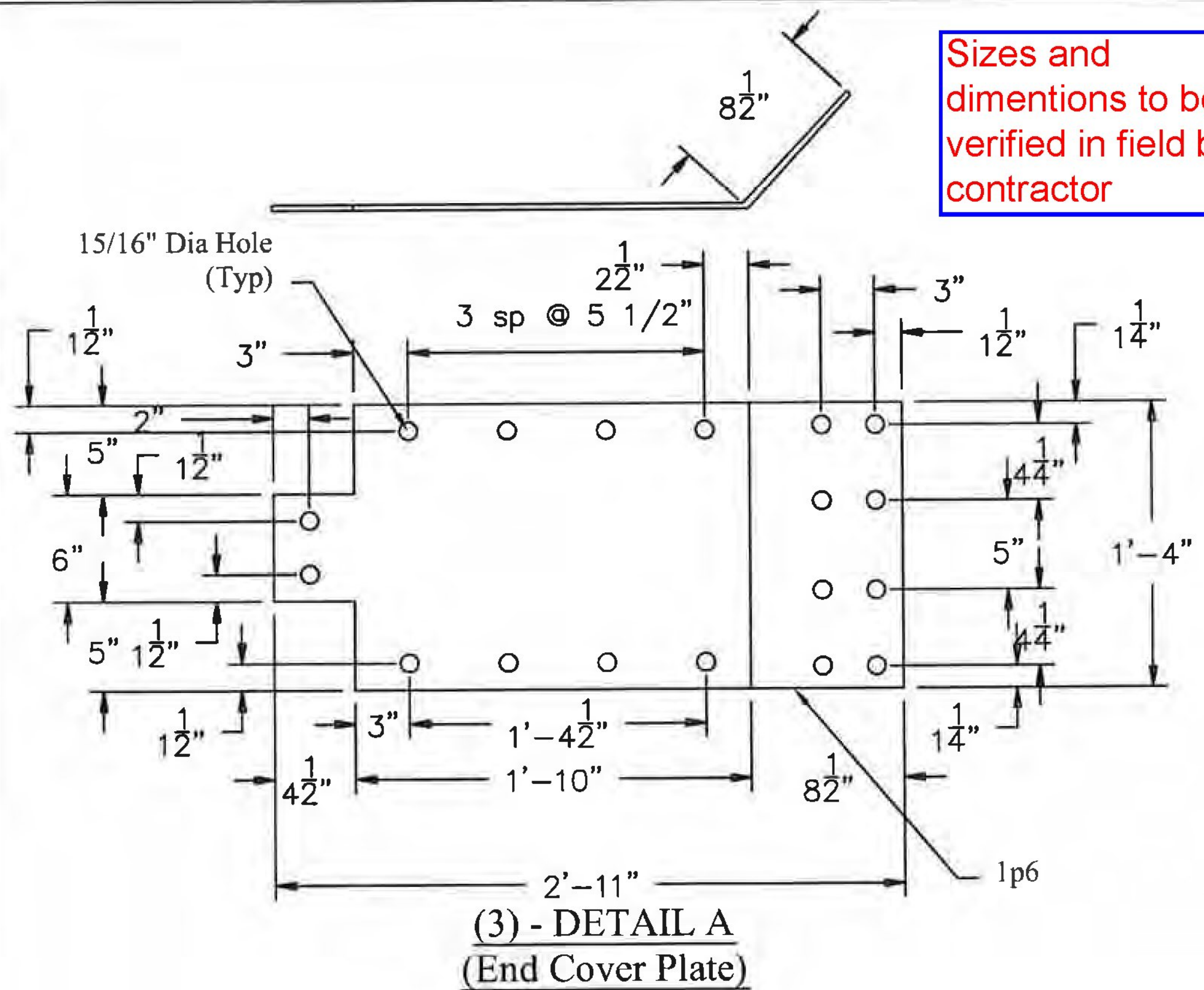
CHECKED BY:
JD

JOB NO:
#6669

DWG
FIT

Sizes and dimensions to be verified in field by contractor

Plate size to be confirmed by others



REV NO.	DATE	DESCRIPTION
1	8-3-2016	REVISED PER CONTRACTOR NOTES
0	7-22-2016	SUBMITTED FOR APPROVAL

HOLES AS NOTED
MATERIAL: AASHTO M 270 GRADE 36 PAINTED