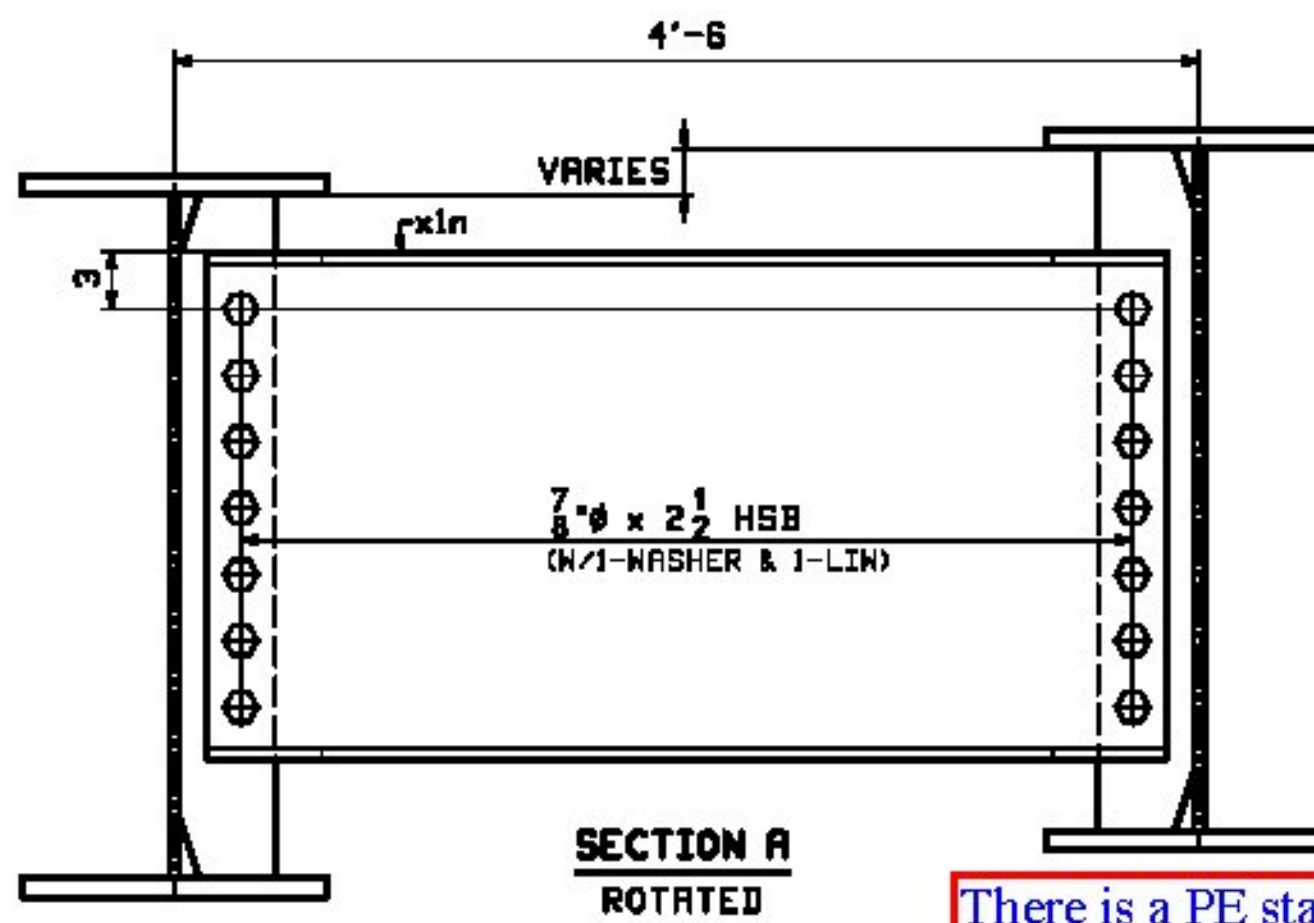
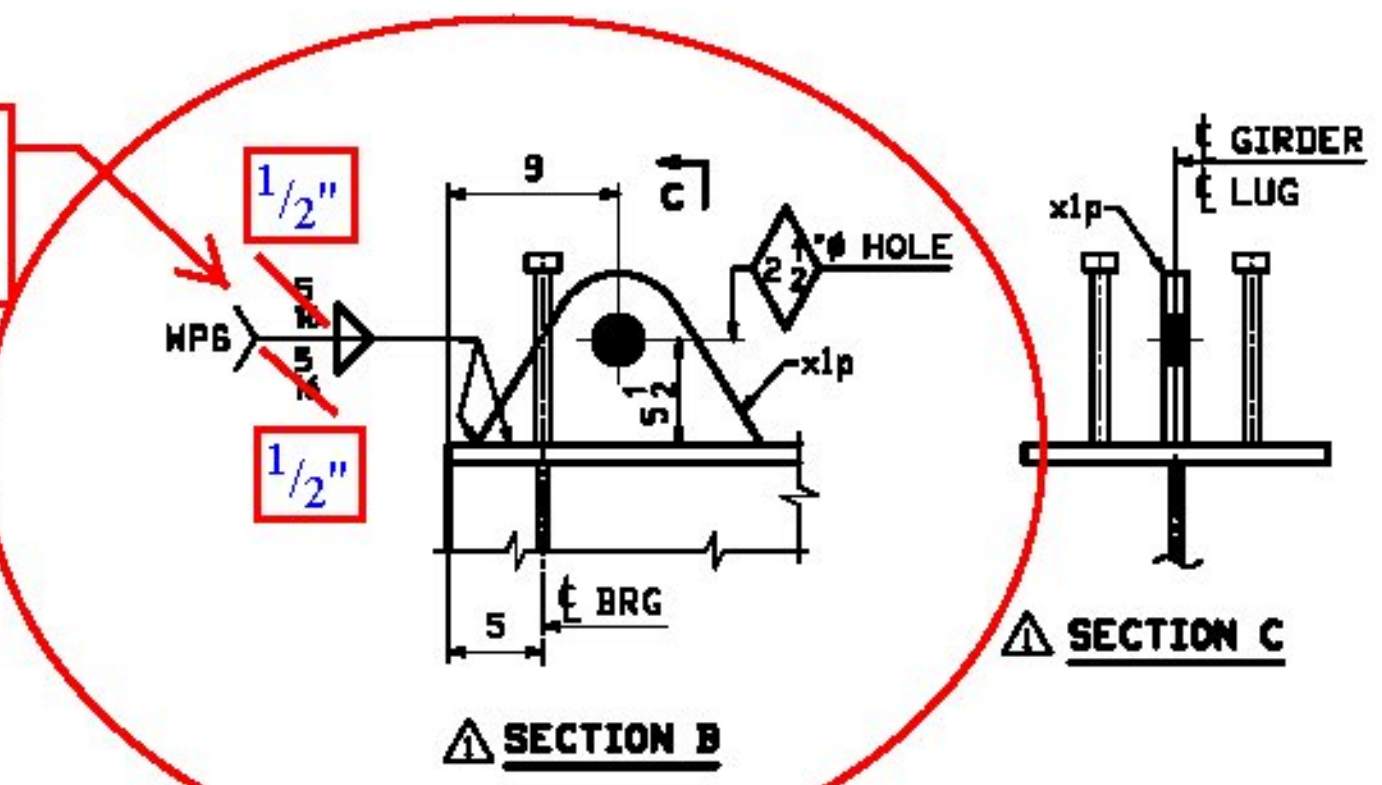


REV. INFO		SHOP		BILL OF MATERIAL		JOB NO.	WORKING NO.	REV.
						649-1	7	
PKG. LINE	MARK	QTY	MARK	MATERIAL	LENGTH FT DIMENS	REMARKS	WT	PROCUREMENT NOTES
	7M1	1		UNIT ASSEMBLY			35199	
			1G1	GIRDER SUB-ASSEMBLY		SEE DWG 1	6569	
			2G2	GIRDER SUB-ASSEMBLY		SEE DWG 2	6569	
2	G	5	x1n	W 27x84	4 2 1/2		354	
4	B	4	x1p	PL 1 1/2 x 9	1 3	022-50	49	
3	G	70		7/8\"/>				

Vermont Agency of Transportation
RECEIVED
 CK'D BY RSF/SMC OK'D BY WDL
 May 19, 2016
 RESUBMIT No Approved AsNoted
 BY RSY DATE 05/26/2016



Weld design on Calderwood lifting calculations is 1/2\"/>



There is a PE stamped design for the plates, the weld says \"70xx\". Email from Calderwood says 80ksi electrode is ok.

DO THESE PLATES AND WELDS HAVE A PE STAMPED DESIGN?

NOTES:
 1. ALL ELEVATIONS AND DIMENSIONS ARE GIVEN TO THE BOTTOM OF THE BOTTOM FLANGE.
 2. FOR GENERAL NOTES SEE DRAWING GNI.

4/28/16	ADD LIFTING LUGS (EXTRA X1)	JTB	LWD			
REV.	DATE	REMARKS	DWN	CHK	APVL	SHOP
		MATERIAL: M270-SOW (UN)				SHOP BOLTS: AS NOTED
		DESCRIPTION: UNIT ASSEMBLIES				
		CASCO BAY STEEL STRUCTURES, INC. 1 WALLACE AVE. SOUTH PORTLAND, ME 04106 PHX. (207) 780-6725				
		STRUCTURE: TH-4 OVER WHITNEY BROOK ROUTE NO: TH-4, RURAL MINOR COLLECTOR BRIDGE REPLACEMENT COUNTY OF ORLEANS				
		LOCATION: TOWN OF CRAFTSBURY, VERMONT				
		PROJ NO. BD 1449(34)				
		CUSTOMER: CCS CONSTRUCTORS INC.				
			JTB	LWD	02/25	03/02
					649-1	7