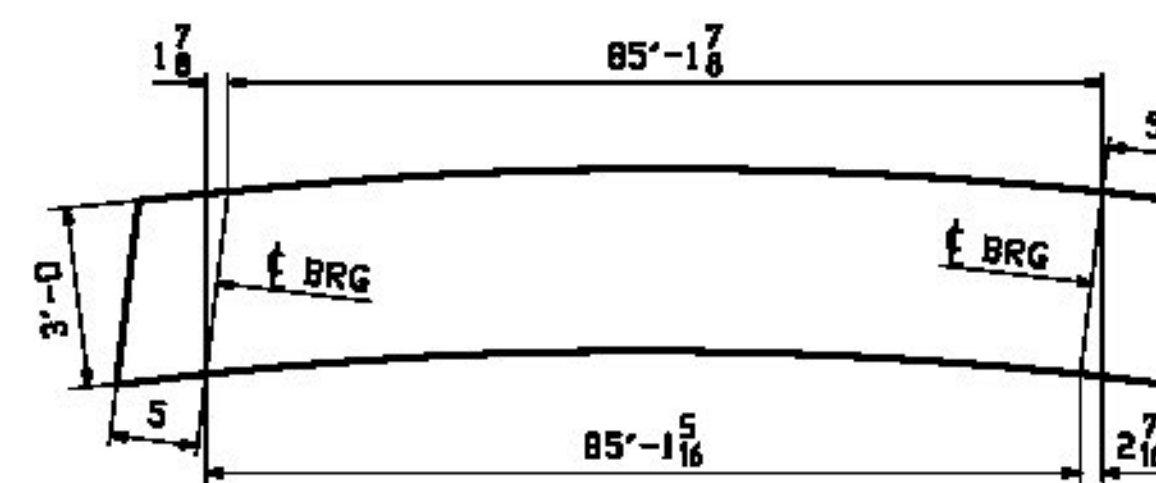
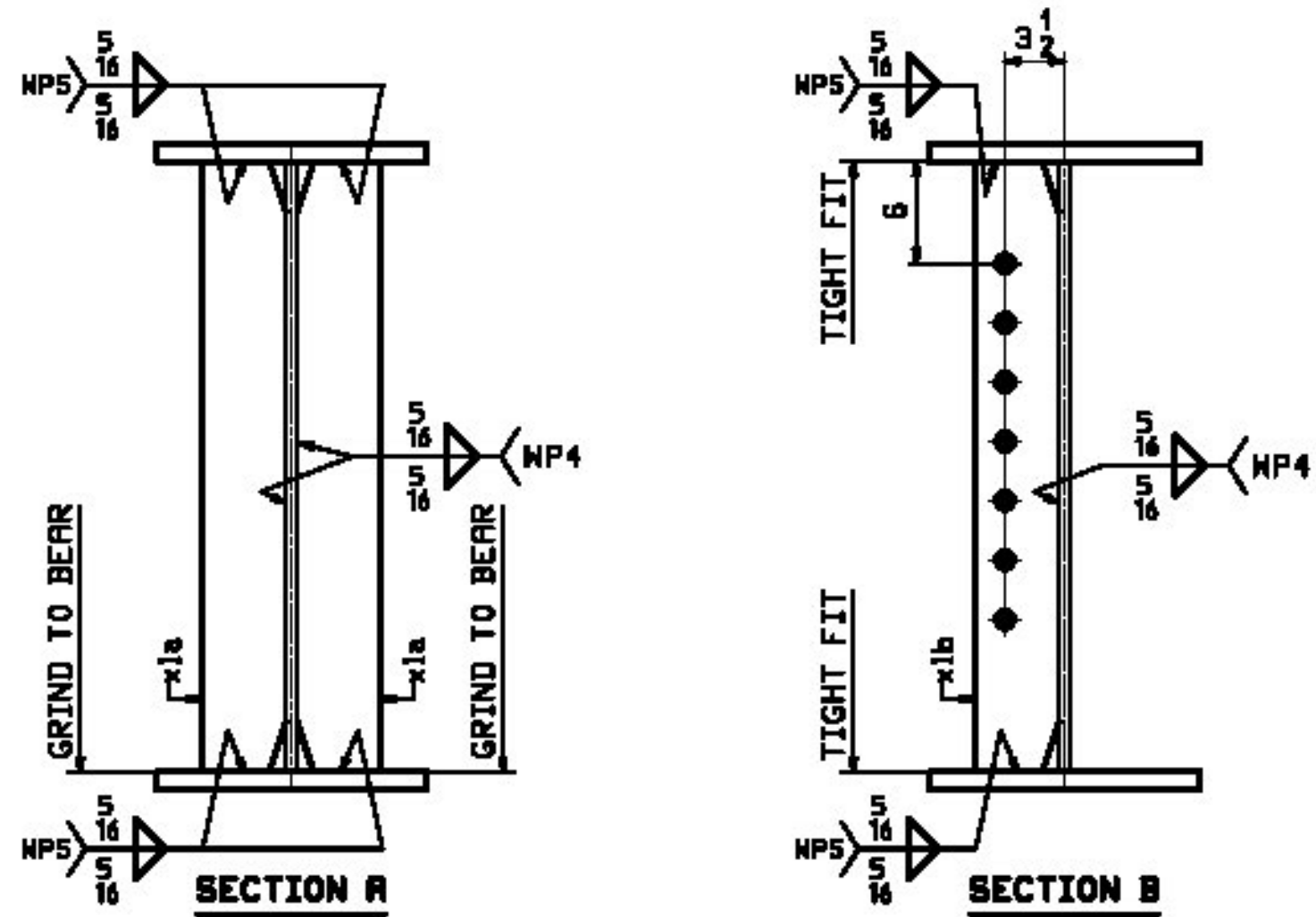
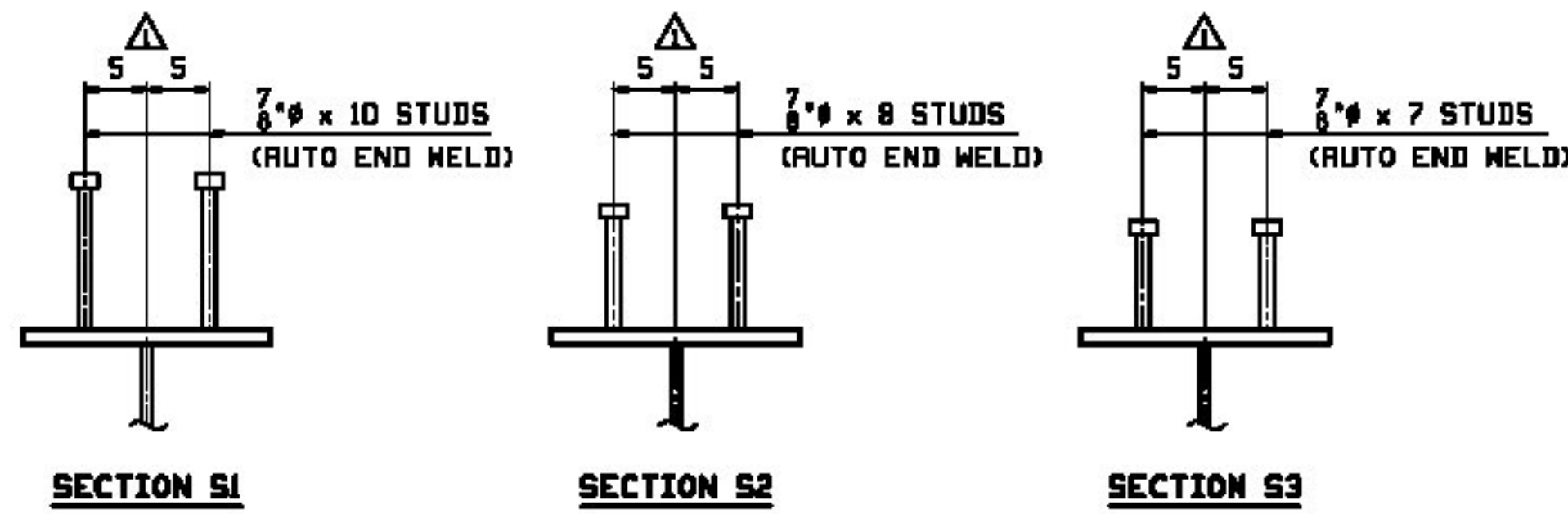


ONE - GIRDER - 5G5 (SUB-ASSEMBLY)

FOR GIRDER STANDARD DETAILS SEE DRAWING X1.
 FOR CAMBER & FLANGE DIAGRAMS SEE DRAWING C1.
 FOR GENERAL NOTES SEE DRAWING GNI.
 T2 DENOTES MATERIAL SUBJECT TO CHARPY V-NOTCH TESTING.



JOB NO.		DRAWING NO.		REV.			
D49-1		5		△			
PKG. LING	MARK	QTY	MATERIAL	LENGTH	REMARKS	MT	PROCUREMENT NOTES
	SGS	1	GIRDER			16334	
1	E	1	wt	PL 3/8 x 36	86 1 1/2	M270-S0W T2	6596
1	A	1	ta	PL 1x16	85 11 1/4	M270-S0W T2	4682
1	A	1	tw	PL 1x16	85 11 1/4	M270-S0W T2	4679
2	B	4	x1a	PL 1/2 x 5	3 0 1/2	MTC	25
2	C	5	x1b	PL 1/2 x 5	3 0	MTC	25
3	B	24		STUD 7/8	0 10	MTC	0.93
3	C	24		STUD 7/8	0 8	MTC	1
3	D	24		STUD 7/8	0 7	MTC	1

Vermont Agency of Transportation
RECEIVED

CK'D BY RSF/SMC OK'D BY WDL

May 19, 2016

RESUBMIT No Approved As Noted
 BY RSY DATE 05/26/2016

△	5/4/16	APPROVAL COMMENTS	JTB	LWD		
□						
REV.	DATE	REMARKS	DWN	CHK	APVL	SHOP
		MATERIAL: M270-S0W (UN)				NONE
		SURFACE PREP. & PAINT: SEE DWG GNI				
		HOLES: 1/2" (UN)				
		DESCRIPTION: GIRDER - 5G5				
		CASCO BAY STEEL STRUCTURES, INC.		DRAWN: JTB		DATE: 02/25
		1 WALLACE AVE. SOUTH PORTLAND, ME 04106		CHKD: LWD		DATE: 03/02
		PHONE (207) 780-6722				
		FAX (207) 780-6725				
LOCATION: TOWN OF CRAFTSBURY, VERMONT		JOB NO. 649-1		DWG NO. 5		
PROJ NO. BD 1449(34)						
CUSTOMER: CCS CONSTRUCTORS INC.						REV. △