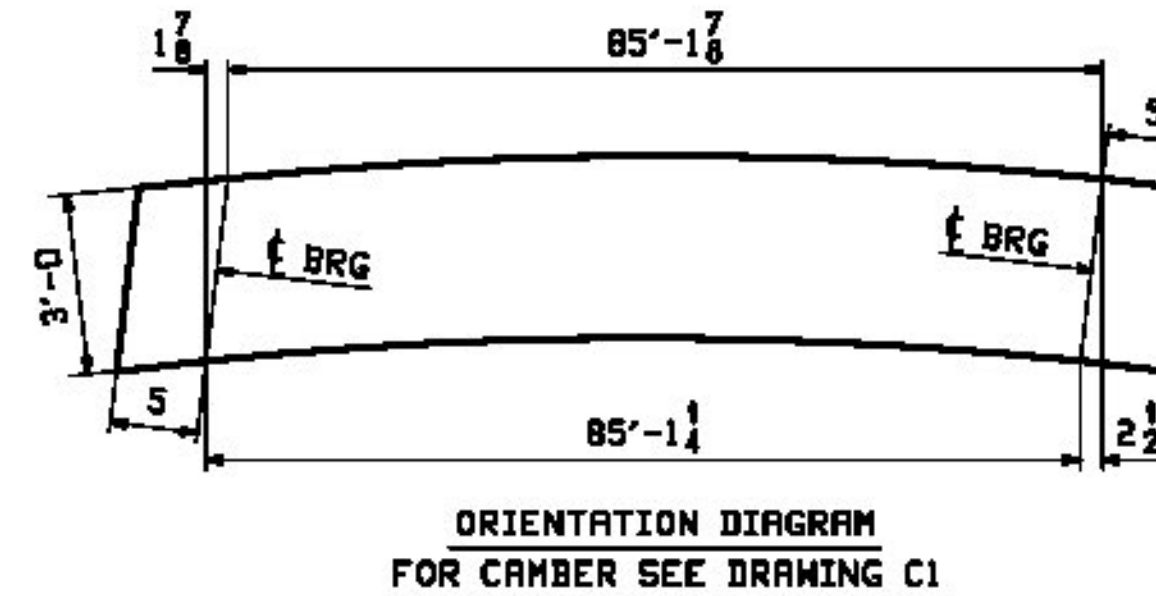
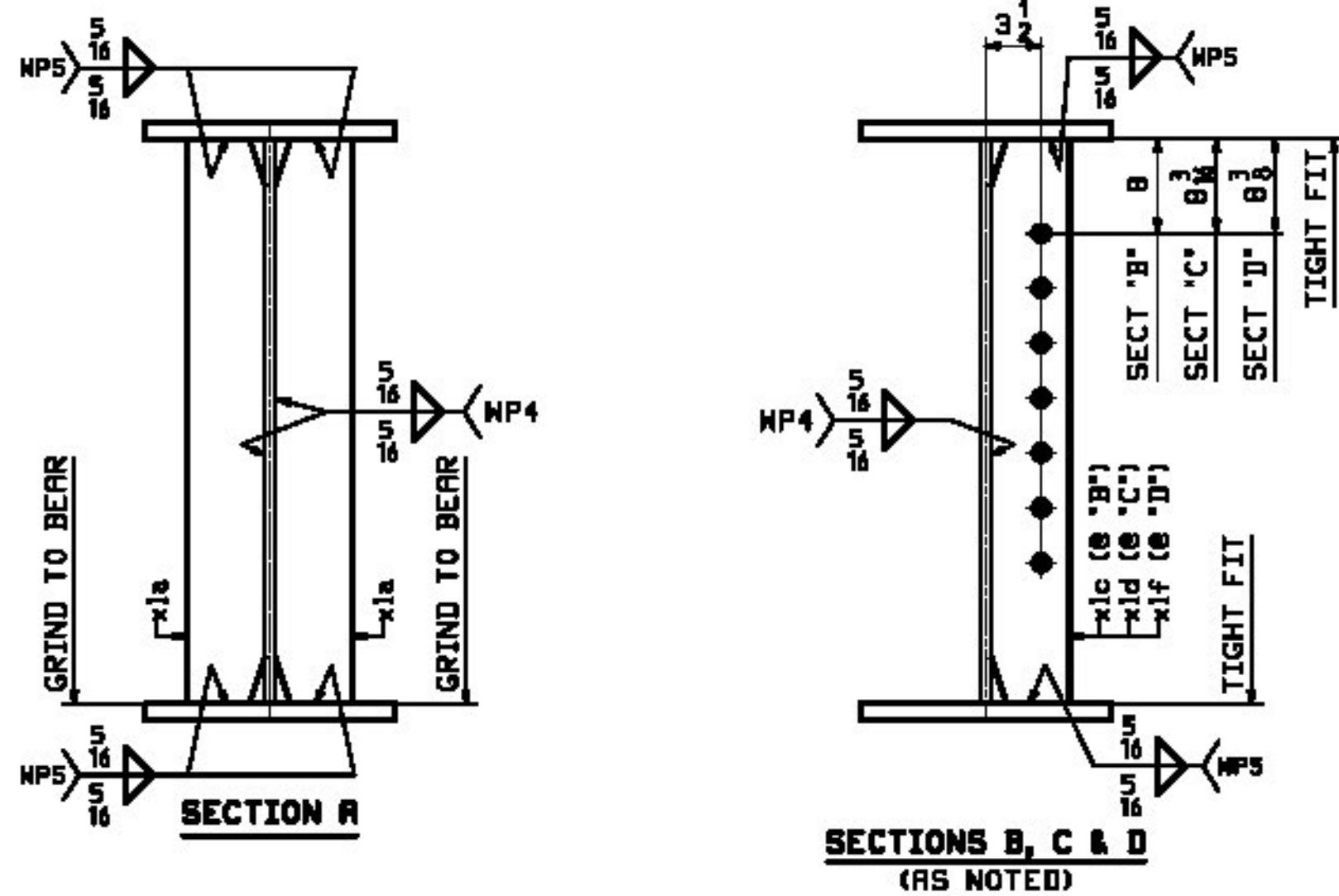
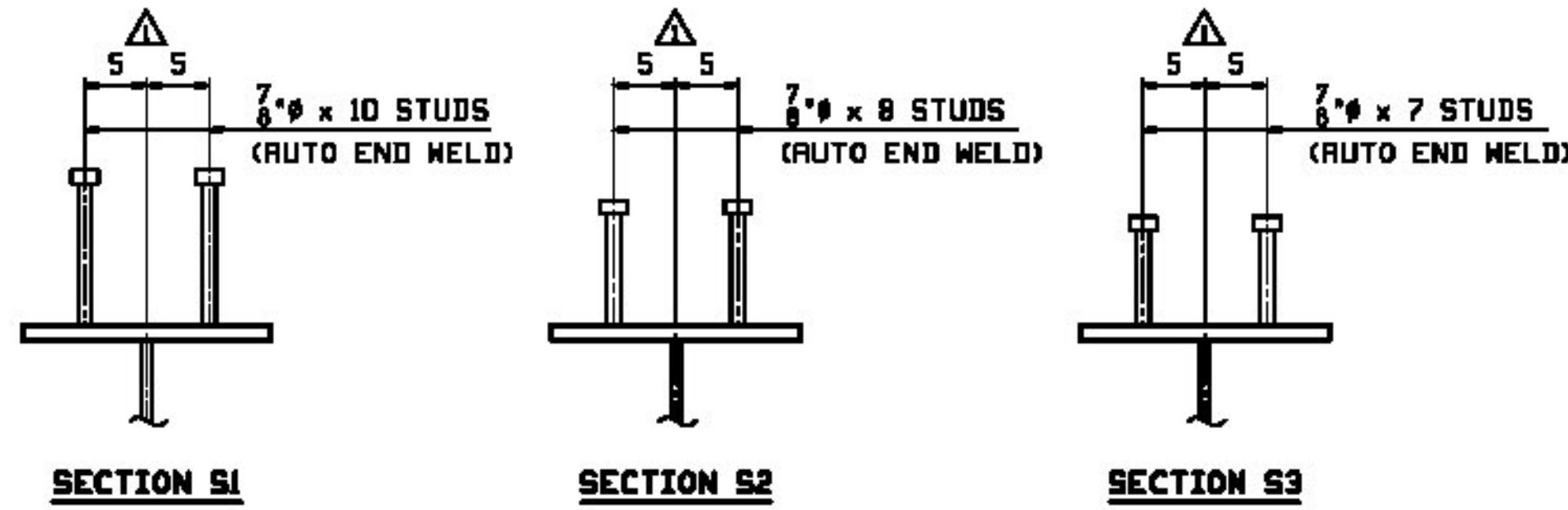


ONE - GIRDER - 4G4 (SUB-ASSEMBLY)

FOR GIRDER STANDARD DETAILS SEE DRAWING X1.
 FOR CAMBER & FLANGE DIAGRAMS SEE DRAWING C1.
 FOR GENERAL NOTES SEE DRAWING GNI.
 T2 DENOTES MATERIAL SUBJECT TO CHARPY V-NOTCH TESTING.



JOB NO.		DRAWING NO.		REV.	
D49-1		4		△	
REV.	DATE	BY	CHK	APPR	REMARKS
1					
2					
3					
4					
5					
6					
7					
8					
9					
10					
11					
12					
13					
14					
15					
16					
17					
18					
19					
20					
21					
22					
23					
24					
25					
26					
27					
28					
29					
30					
31					
32					
33					
34					
35					
36					
37					
38					
39					
40					
41					
42					
43					
44					
45					
46					
47					
48					
49					
50					
51					
52					
53					
54					
55					
56					
57					
58					
59					
60					
61					
62					
63					
64					
65					
66					
67					
68					
69					
70					
71					
72					
73					
74					
75					
76					
77					
78					
79					
80					
81					
82					
83					
84					
85					
86					
87					
88					
89					
90					
91					
92					
93					
94					
95					
96					
97					
98					
99					
100					

Vermont Agency of Transportation
RECEIVED
 CK'D BY RSF/SMC OK'D BY WDL
 May 19, 2016
 RESUBMIT No Approved AsNoted
 BY RSY DATE 05/26/2016

REV.	DATE	REMARKS	DWN	CHK	APVL	SHOP
1	5/4/16	APPROVAL COMMENTS	JTB	LWD		
MATERIAL:		SURFACE PREP. & PAINT:	HOLES:		SHOP BOLTS:	
M270-SOW (UN)		SEE DWG GNI	1/2" (UN)		NONE	
DESCRIPTION: GIRDER - 4G4						
STRUCTURE: TH-4 OVER WHITNEY BROOK			DRAWN:		DATE:	
ROUTE NO: TH-4, RURAL MINOR COLLECTOR			JTB		02/25	
BRIDGE REPLACEMENT			CHKD:		DATE:	
COUNTY OF ORLEANS			LWD		03/02	
LOCATION: TOWN OF CRAFTSBURY, VERMONT			JOB NO.		DWG NO.	
PROJ NO. BD 1449(34)			4		4	
CUSTOMER: CCS CONSTRUCTORS INC.			649-1		REV. △	

CASCO BAY STEEL STRUCTURES, INC.
 1 WALLACE AVE. PHONE (207) 780-6722
 SOUTH PORTLAND, ME 04106 FAX (207) 780-6725