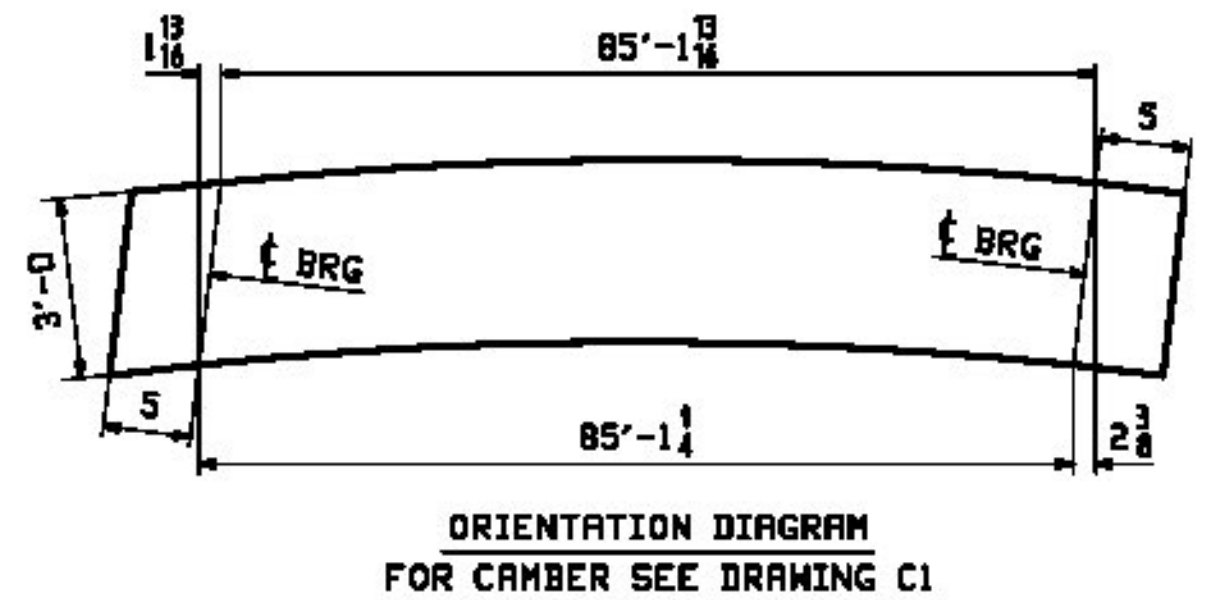
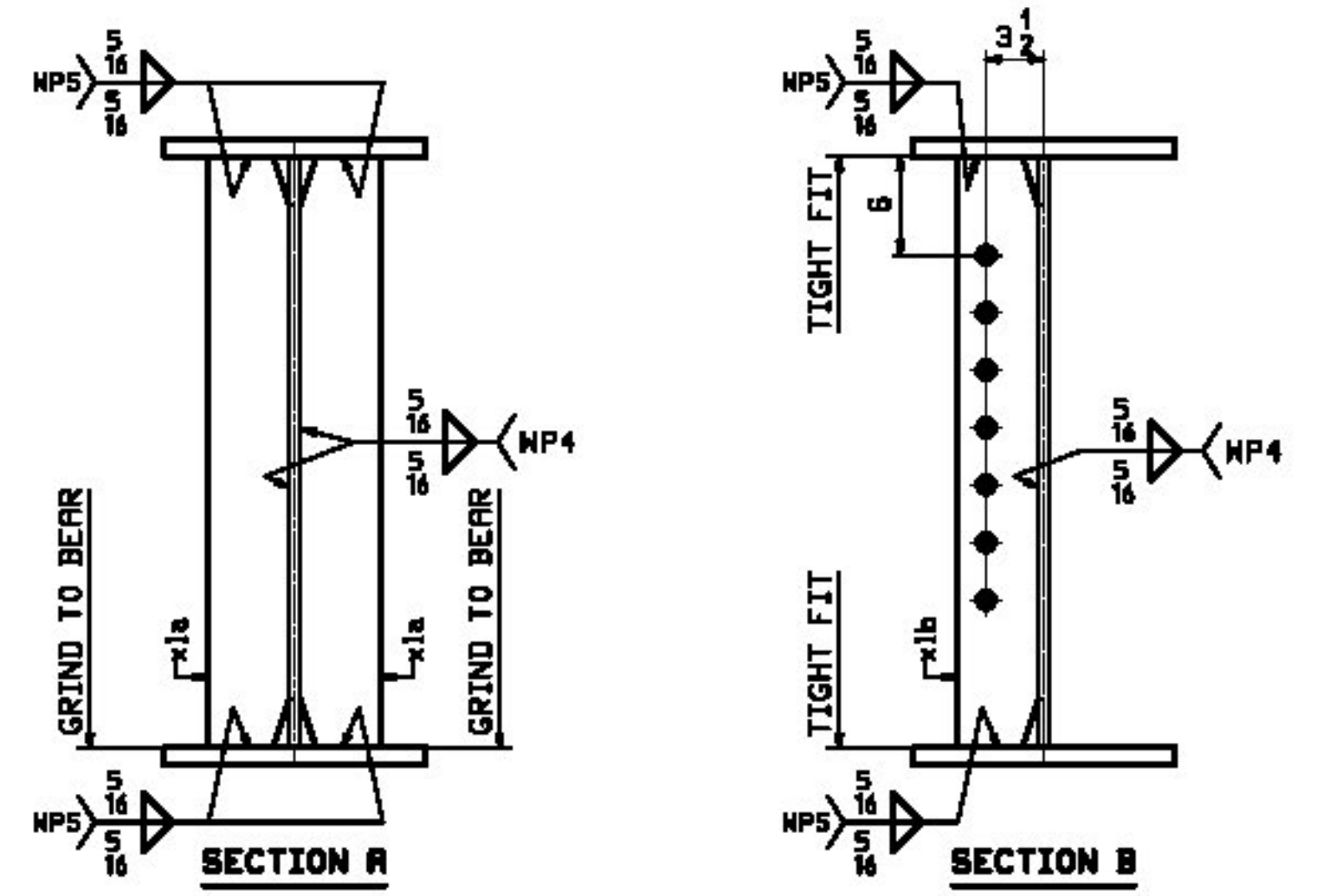
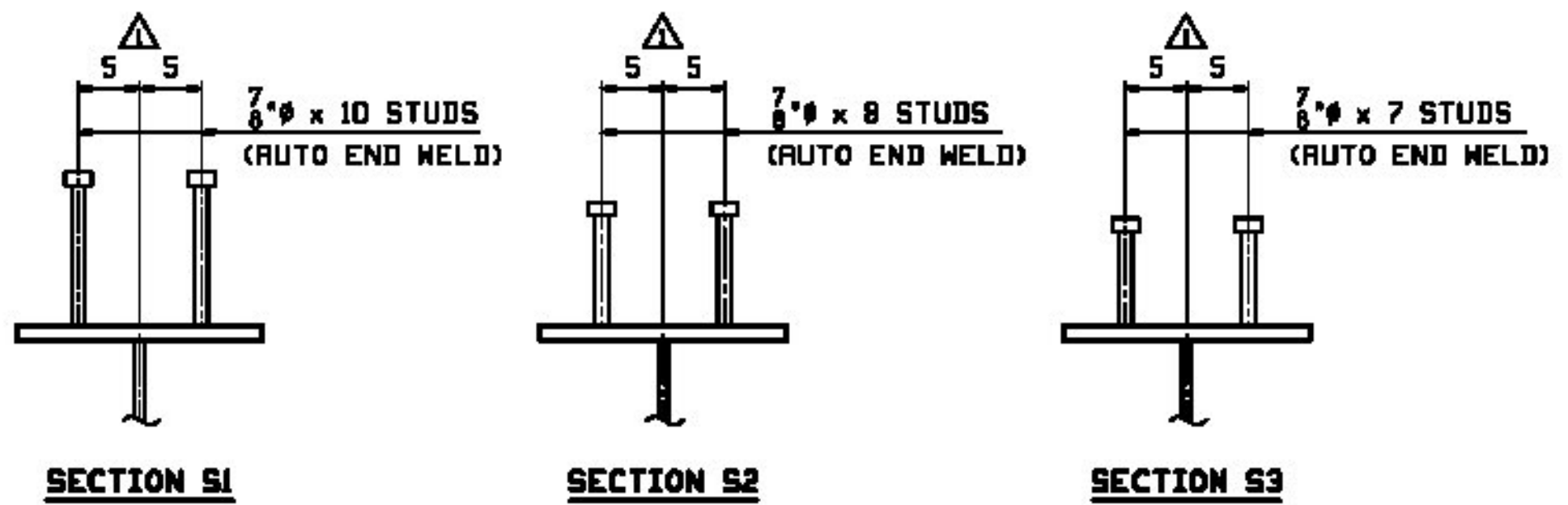


ONE - GIRDER - 3G3 (SUB-ASSEMBLY)

FOR GIRDER STANDARD DETAILS SEE DRAWING X1.
 FOR CAMBER & FLANGE DIAGRAMS SEE DRAWING C1.
 FOR GENERAL NOTES SEE DRAWING GNI.
 T2 DENOTES MATERIAL SUBJECT TO CHARPY V-NOTCH TESTING.



ROW INFO	SHOP	BILL OF MATERIAL				JOB NO.	DRAWING NO.	REV.
		QTY	UNITS	MATERIAL	LENGTH			
	3G3	1		GIRDER		D49-1	3	
1	E	1	wt	PL 3/8 x 36	86			6595
1	R	1	ta	PL 1x16	85			4681
1	R	1	tw	PL 1x16	85			4679
2	B	4	x1a	PL 3/8 x 5	3			25
2	C	5	x1b	PL 3/8 x 5	3			25
3	B	24		STUD 7/8	0	10		0.93
3	C	24		STUD 7/8	0	8		1
3	D	24		STUD 7/8	0	7		1

Vermont Agency of Transportation
RECEIVED

CK'D BY RFS/SMC OK'D BY WDL

May 19, 2016

RESUBMIT No Approved AsNoted
 BY RSY DATE 05/26/2016

REV.	DATE	REMARKS	DWN	CHK	APVL	SHOP
5/4/16		APPROVAL COMMENTS	JTB	LWD		
0						
MATERIAL:		SURFACE PREP. & PAINT:		HOLES:		SHOP BOLTS:
M270-S0W (LN)		SEE DWG GNI		1 1/2" (LN)		NONE
DESCRIPTION: GIRDER - 3G3						
CASCO BAY STEEL STRUCTURES, INC. 1 WALLACE AVE. SOUTH PORTLAND, ME 04106 PHONE (207) 780-6722 FAX (207) 780-6725				DRAWN: JTB	DATE: 02/25	
STRUCTURE: TH-4 OVER WHITNEY BROOK ROUTE NO: TH-4, RURAL MINOR COLLECTOR BRIDGE REPLACEMENT COUNTY OF ORLEANS				CHKD: LWD	DATE: 03/02	
LOCATION: TOWN OF CRAFTSBURY, VERMONT				JOB NO.		DWG NO.
PROJ NO. BD 1449(34)				649-1		3
CUSTOMER: CCS CONSTRUCTORS INC.				649-1		REV. 3