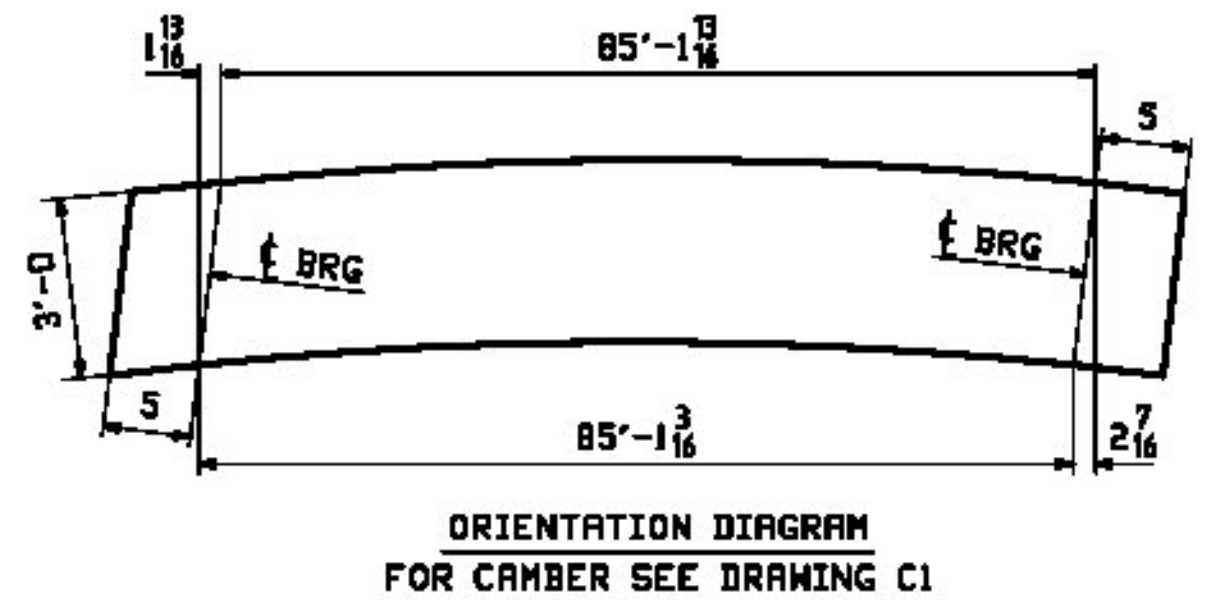
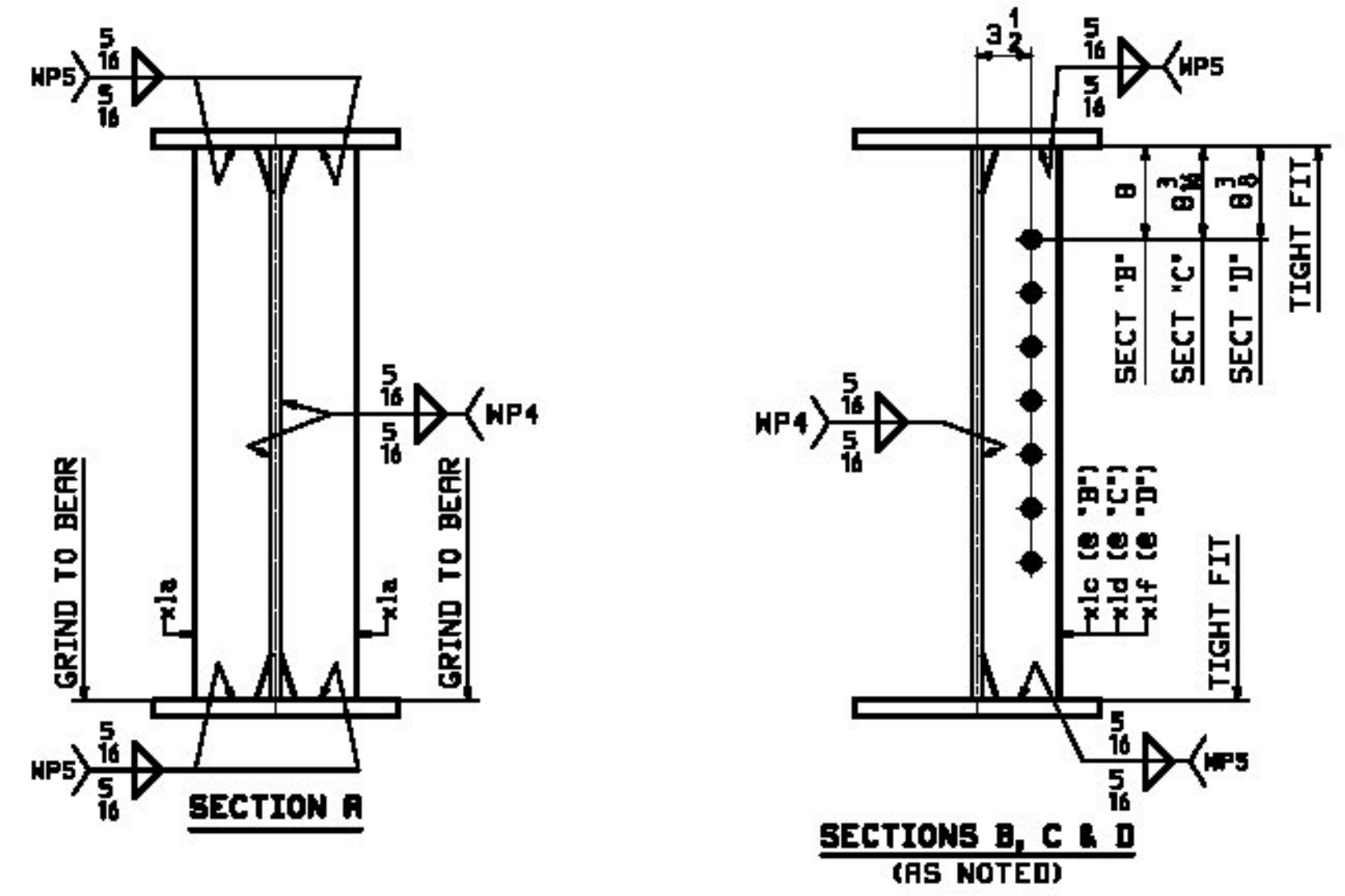
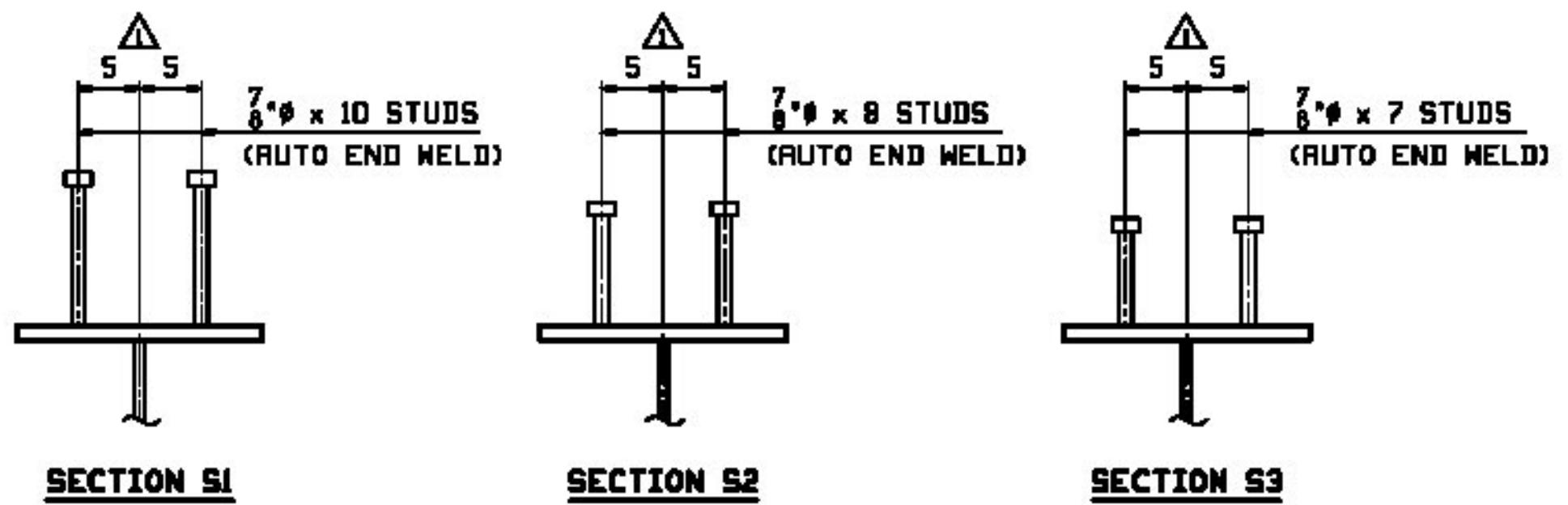


ONE - GIRDER - 2G2 (SUB-ASSEMBLY)

FOR GIRDER STANDARD DETAILS SEE DRAWING X1.
 FOR CAMBER & FLANGE DIAGRAMS SEE DRAWING C1.
 FOR GENERAL NOTES SEE DRAWING GNI.
 T2 DENOTES MATERIAL SUBJECT TO CHARPY V-NOTCH TESTING.



JOB NO.		DRAWING NO.		REV.			
D49-1		2		△			
PKG LING	MARK	QTY	MATERIAL	LENGTH	REMARKS	MT	PROCUREMENT NOTES
				FT			
	2G2	1	GIRDER			16332	
1	E	1	wa	PL 3/8 x 36	86	1 1/2	M270-SOWT2 6595
1	R	1	ta	PL 1x16	85	11 1/2	M270-SOWT2 4681
1	R	1	tw	PL 1x16	85	11 1/2	M270-SOWT2 4679
2	B	4	x1a	PL 2x5	3	0 1/2	NIC 25
2	C	2	x1c	PL 2x5	3	0	25
2	C	1	x1d	PL 2x5	3	0	25
2	C	2	x1f	PL 2x5	3	0	25
3	B	24		STUD 7/8"	0	10	NIC 0.93
3	C	24		STUD 7/8"	0	9	NIC 1
3	D	58		STUD 7/8"	0	7	NIC 1

Vermont Agency of Transportation
RECEIVED
 CK'D BY RSF/SMC OK'D BY WDL
 May 19, 2016
 RESUBMIT No Approved AsNoted
 BY RSY DATE 05/26/2016

REV.	DATE	REMARKS	DWN	CHK	APVL	SHOP
△	5/4/16	APPROVAL COMMENTS	JTB	LWD		
0						
MATERIAL:		SURFACE PREP. & PAINT:	HOLES:		SHOP BOLTS:	
M270-SOW (UN)		SEE DWG GNI	1 1/2" (UN)		NONE	
DESCRIPTION: GIRDER - 2G2						
			CASCO BAY STEEL STRUCTURES, INC. 1 WALLACE AVE. PHONE (207) 780-6722 SOUTH PORTLAND, ME 04106 FAX (207) 780-6725			
STRUCTURE: TH-4 OVER WHITNEY BROOK			DRAWN: JTB		DATE: 02/25	
ROUTE NO: TH-4, RURAL MINOR COLLECTOR			CHKD: LWD		DATE: 03/02	
BRIDGE REPLACEMENT			JOB NO. 649-1		DWG NO. 2	
COUNTY OF ORLEANS			JOB NO. 649-1		REV. △	
LOCATION: TOWN OF CRAFTSBURY, VERMONT			CUSTOMER: CCS CONSTRUCTORS INC.			
PROJ NO. BD 1449(34)			JOB NO. 649-1			
CUSTOMER: CCS CONSTRUCTORS INC.			REV. △			