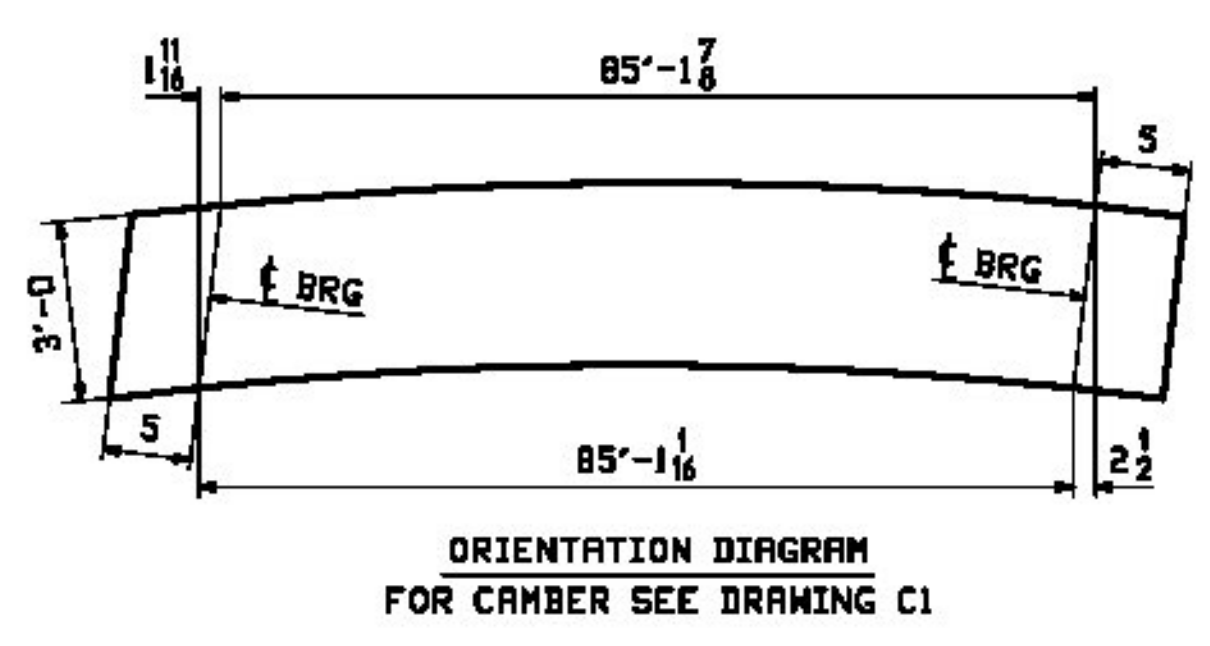
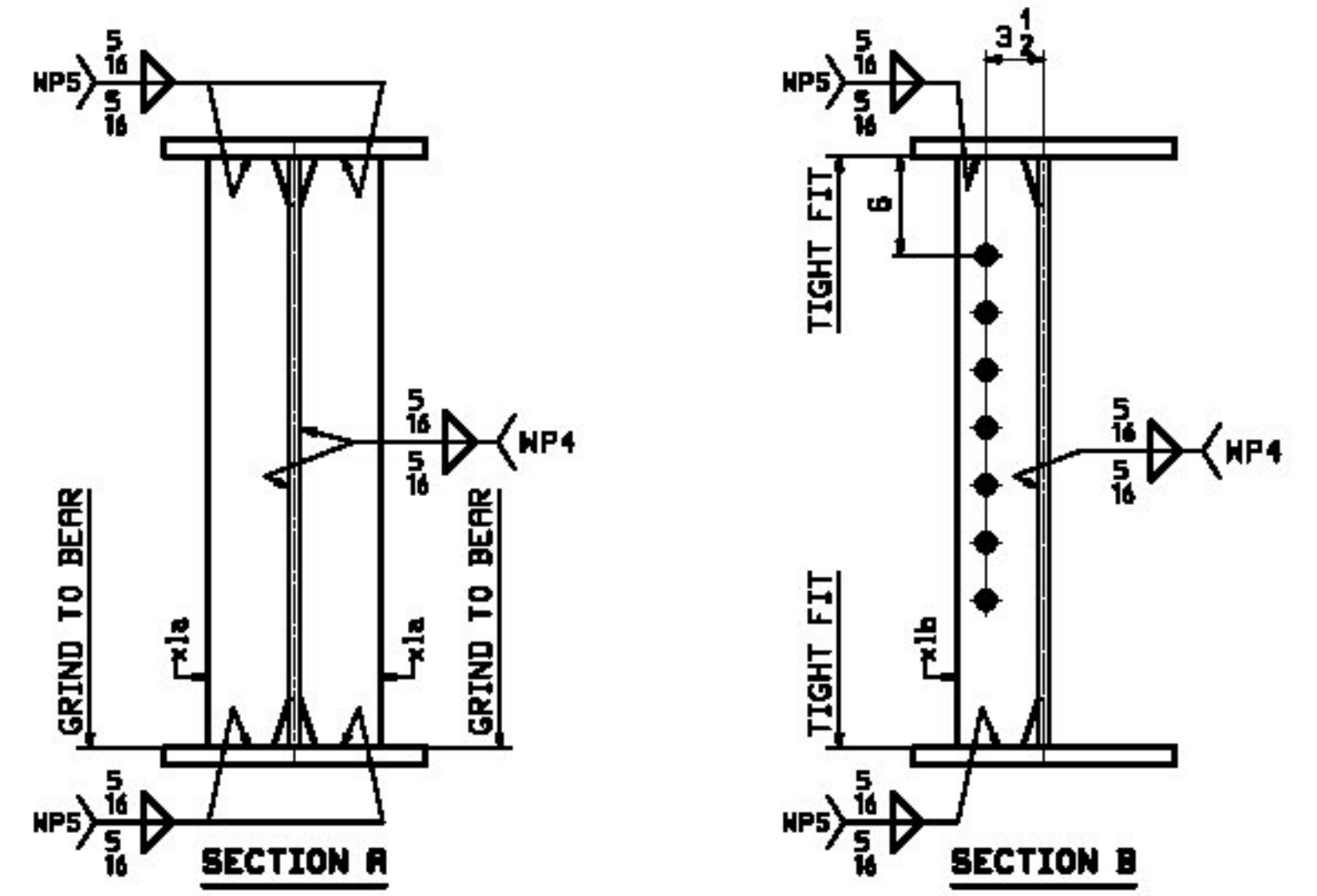
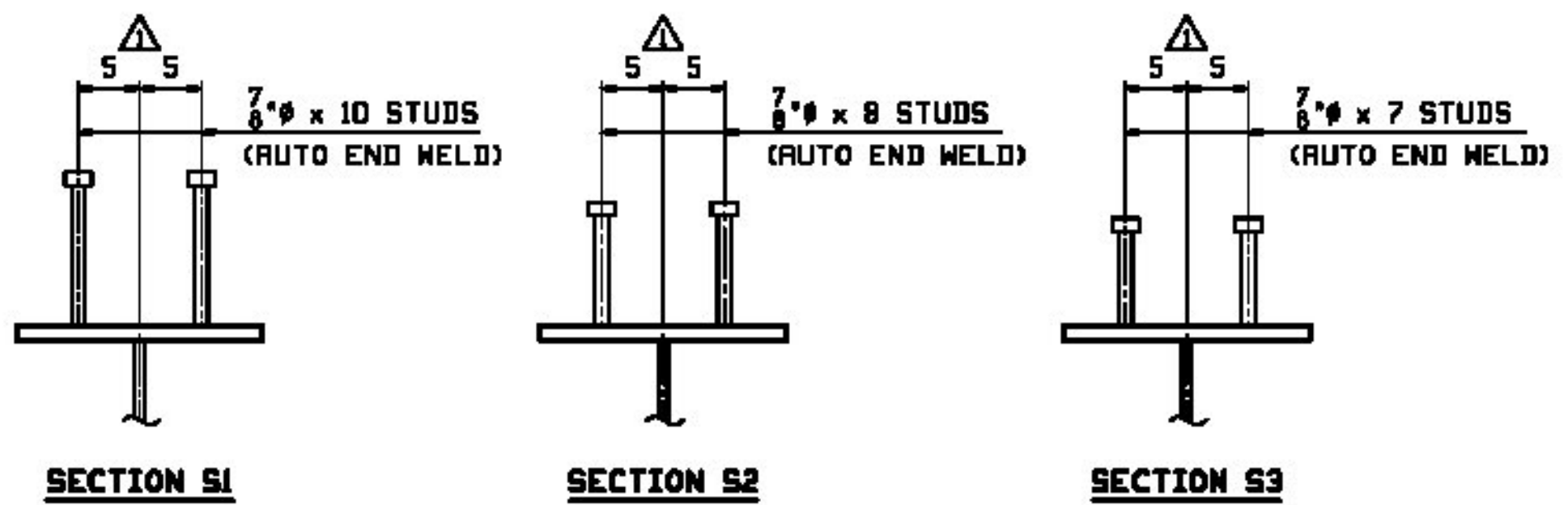
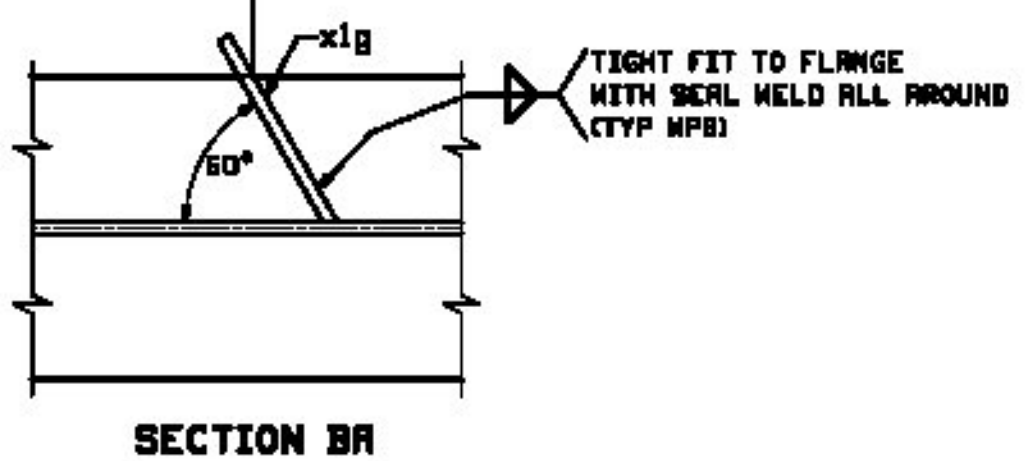


**ONE - GIRDER - 1G1 (SUB-ASSEMBLY)**

FOR GIRDER STANDARD DETAILS SEE DRAWING X1.  
 FOR CAMBER & FLANGE DIAGRAMS SEE DRAWING C1.  
 FOR GENERAL NOTES SEE DRAWING GNI.  
 T2 DENOTES MATERIAL SUBJECT TO CHARPY V-NOTCH TESTING.



ROW INFO	SHOP	BILL OF MATERIAL			JOB NO.	DRAWING NO.	REV.
		QTY	UNIT	DESCRIPTION			
		1		GIRDER	D49-1	1	
1	C	1	wt	PL 3/8 x 36	86	1/2	M270-SOWT2 6594
1	R	1	ta	PL 1/2 x 16	85	11/16	M270-SOWT2 4682
1	R	1	tw	PL 1/2 x 16	85	11/16	M270-SOWT2 4678
2	B	4	x1a	PL 3/8 x 5	3	0 1/2	MUC 25
2	C	5	x1b	PL 3/8 x 5	3	0	MUC 25
2	D	1	x1g	PL 1/2 x 3	0	11	MUC 2
3	B	24		STUD 7/8	0	10	MUC 0.93
3	C	24		STUD 7/8	0	8	MUC 1
3	D	88		STUD 7/8	0	7	MUC 1

Vermont Agency of Transportation  
**RECEIVED**  
 CK'D BY RSF/SMC OK'D BY WDL  
 May 19, 2016  
 RESUBMIT No Approved AsNoted  
 BY RSY DATE 05/26/2016

5/4/16	APPROVAL COMMENTS	JTB	LWD
REV.	DATE	REMARKS	DWN CHK APVL SHOP
MATERIAL: M270-SOW (UN)		SURFACE PREP. & PAINT: SEE DWG GNI	HOLES: 1/2" (UN)
DESCRIPTION: GIRDER - 1G1		SHOP BOLTS: NONE	
STRUCTURE: TH-4 OVER WHITNEY BROOK		ROUTE NO: TH-4, RURAL MINOR COLLECTOR	COUNTY OF ORLEANS
LOCATION: TOWN OF CRAFTSBURY, VERMONT	JOB NO. 649-1	DRAWN: JTB	DATE: 02/25
PROJ NO. BD 1449(34)		CHKD: LWD	DATE: 03/02
CUSTOMER: CCS CONSTRUCTORS INC.			