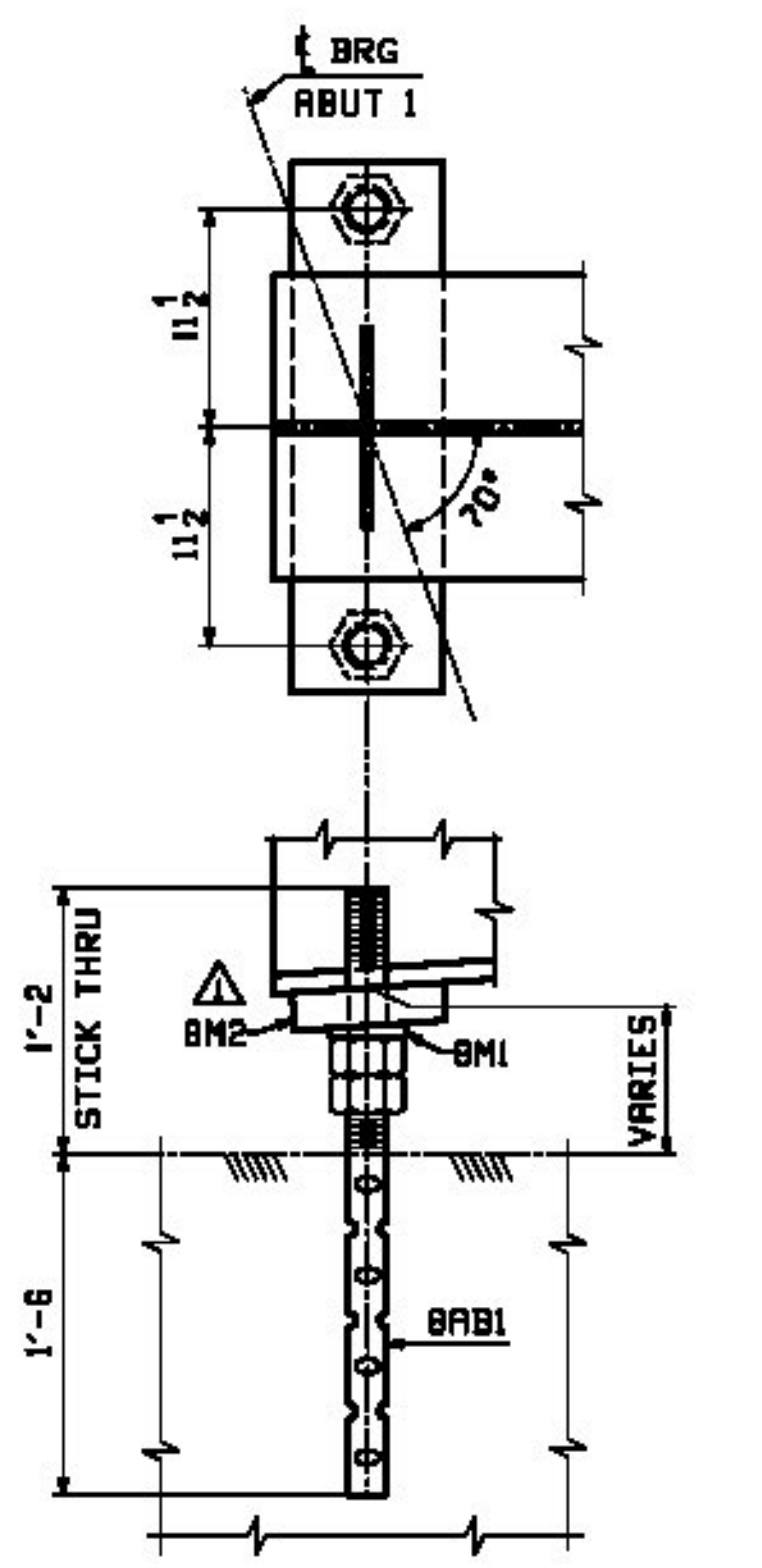
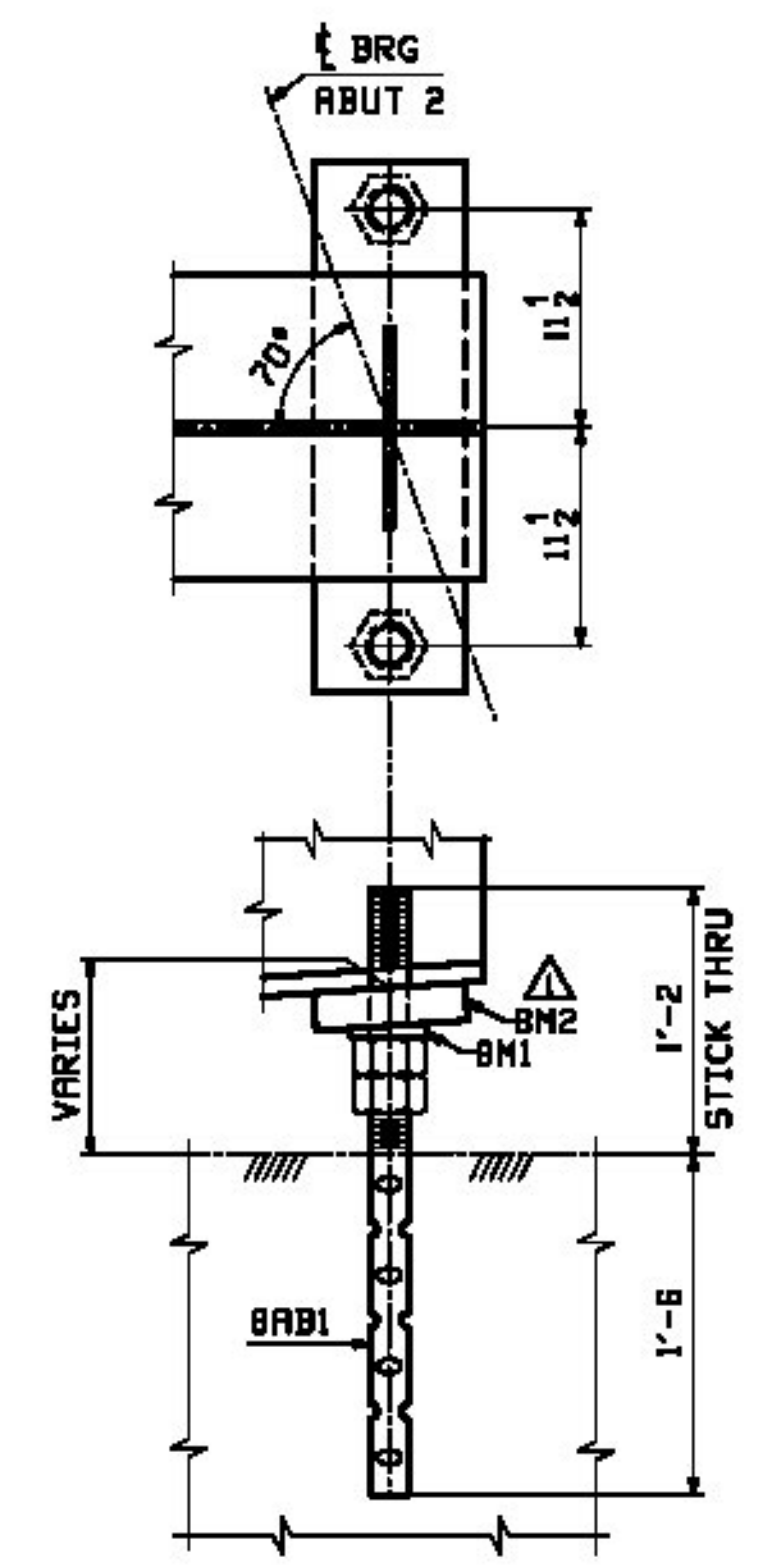


FRAMING PLAN



ELEVATION VIEW - ABUT 1
TYP LINES 1 THRU 6
(TEMPORARY BEARING ASSEMBLY)



ELEVATION VIEW - ABUT 2
TYP LINES 1 THRU 6
(TEMPORARY BEARING ASSEMBLY)

Vermont Agency of Transportation
RECEIVED
 CK'D BY RSF/SMC OK'D BY WDL
 May 19, 2016
 RESUBMIT No Approved AsNoted
 BY RSY DATE 05/26/2016

5/4/16	APPROVAL COMMENTS	JTB	LWD			
REV.	DATE	REMARKS	DWN	CHK	APVL	SHOP
MATERIAL:		SURFACE PREP. & PAINT:		HOLES:		SHOP BOLTS:
DESCRIPTION: FRAMING PLAN						
			CASCO BAY STEEL STRUCTURES, INC. 1 WALLACE AVE. PHONE (207) 780-6722 SOUTH PORTLAND, ME 04106 FAX. (207) 780-6726			
STRUCTURE: TH-4 OVER WHITNEY BROOK			DRAWN:	DATE:		
ROUTE NO: TH-4, RURAL MINOR COLLECTOR			JTB	02/25		
BRIDGE REPLACEMENT			CHKD:	DATE:		
COUNTY OF ORLEANS			LWD	03/02		
LOCATION: TOWN OF CRAFTSBURY, VERMONT			JOB NO.	DWG NO.		
PROJ NO. 80 1449(34)			649-1	E1		
CUSTOMER: CCS CONSTRUCTORS INC.				REV.		