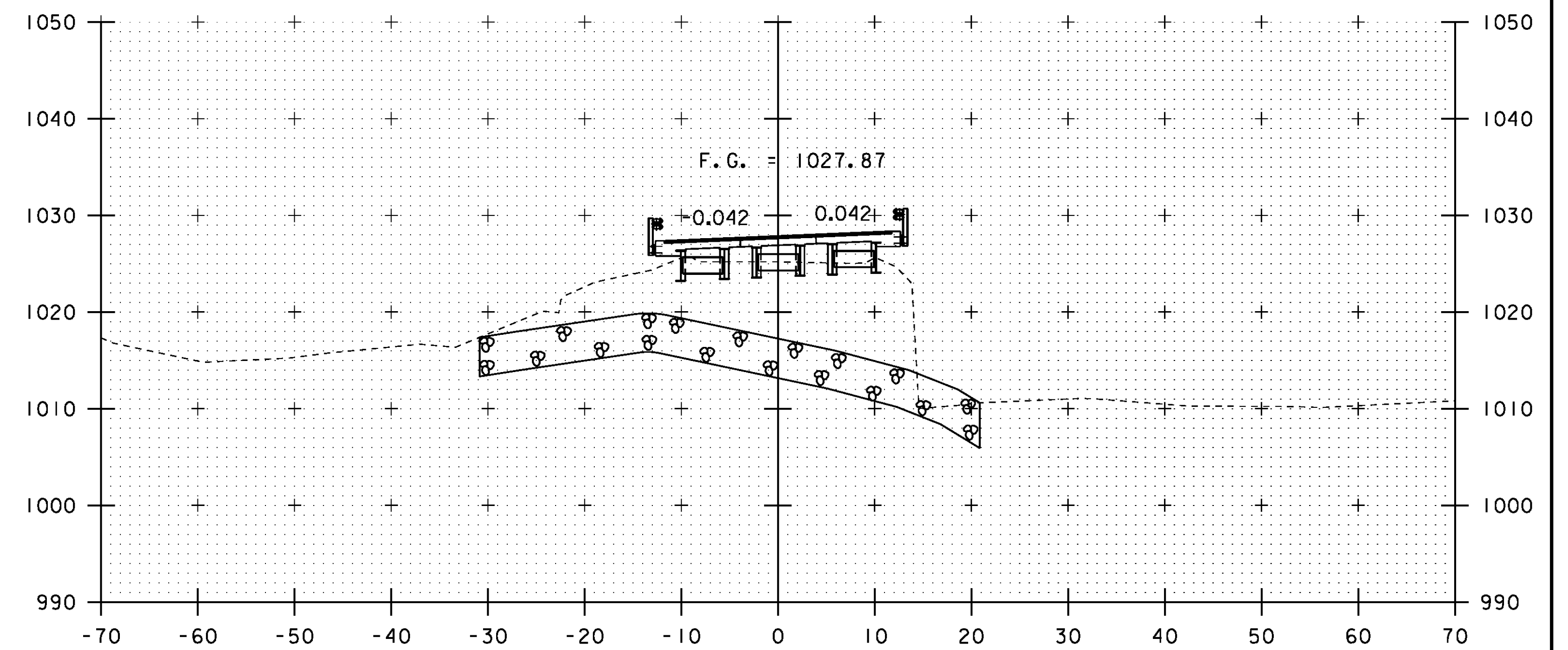
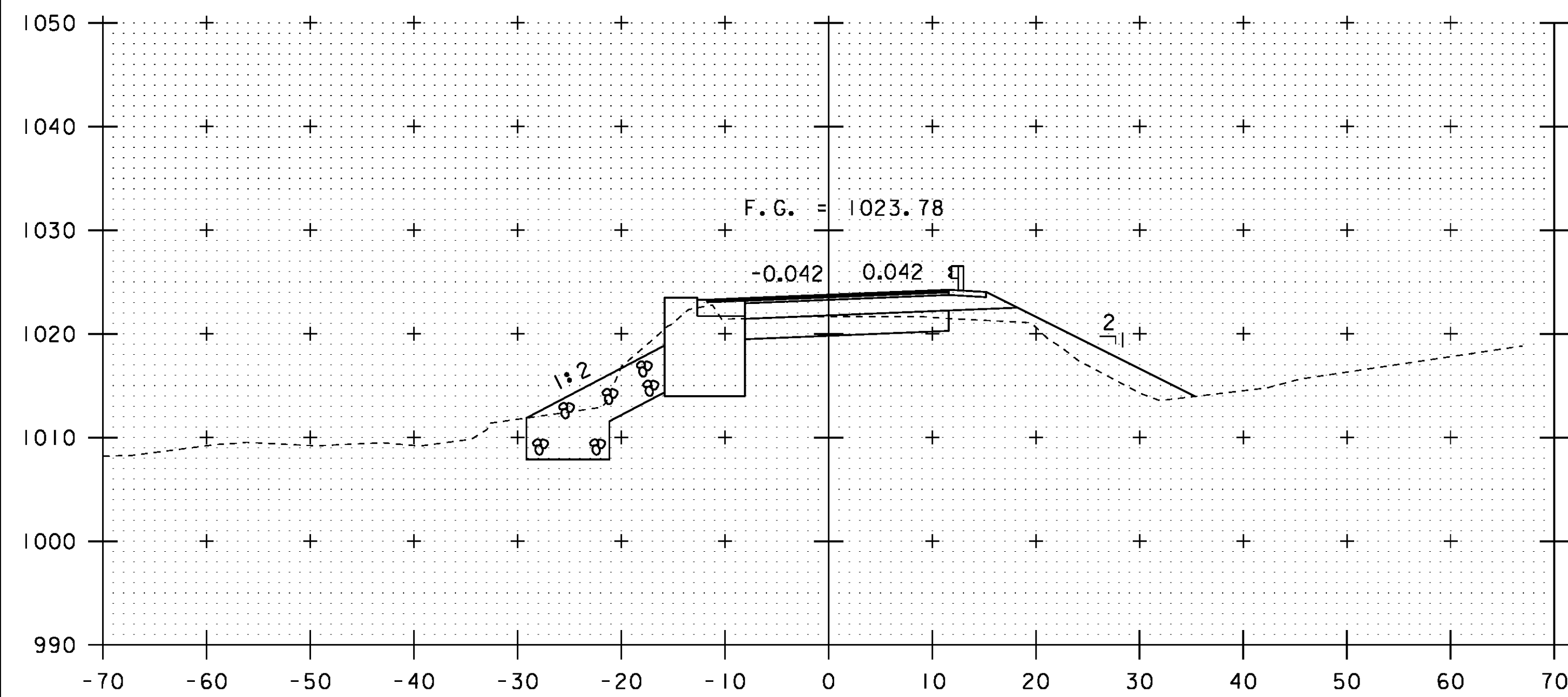


12+25

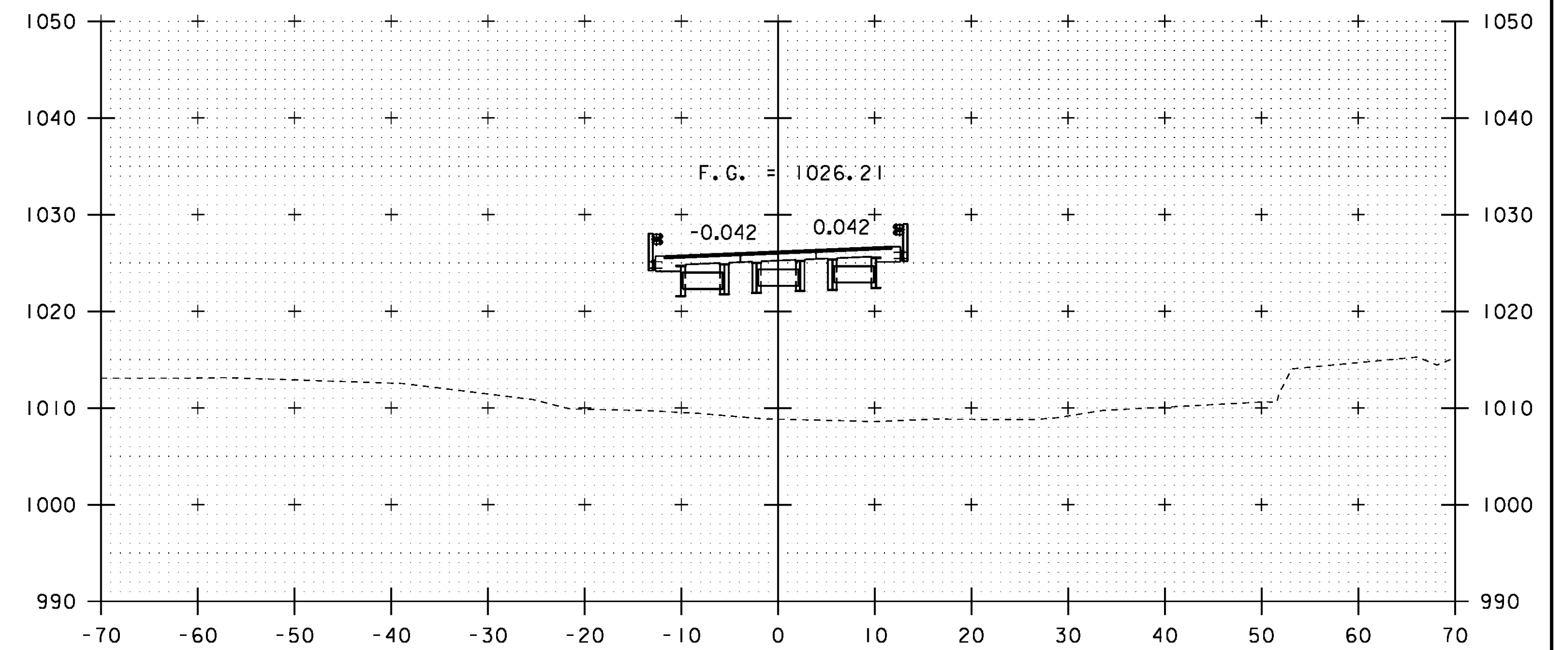


12+75



12+00

BEGIN BRIDGE
STA 12+03.38



12+50

STA. 12+00 TO STA. 12+75

PROJECT NAME: CRAFTSBURY	PLOT DATE: 14-OCT-2015
PROJECT NUMBER: BO 1449(34)	DRAWN BY: S. COLEY
FILE NAME: s13j100xs.dgn	DESIGNED BY: W. LAMMER
PROJECT LEADER: R. YOUNG	CHECKED BY: W. LAMMER
DESIGNED BY: W. LAMMER	MAINLINE CROSS SECTIONS 3
	SHEET 27 OF 42