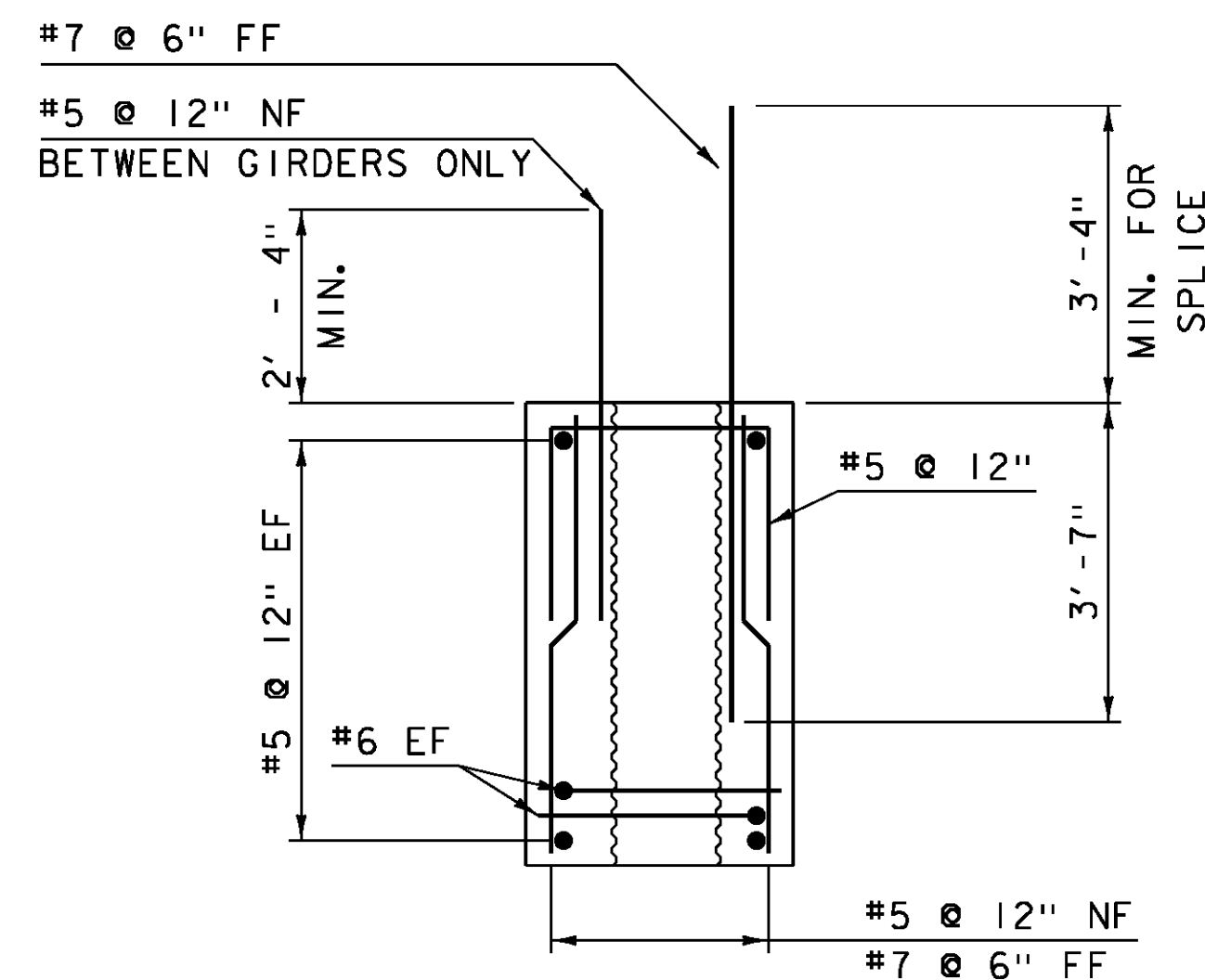


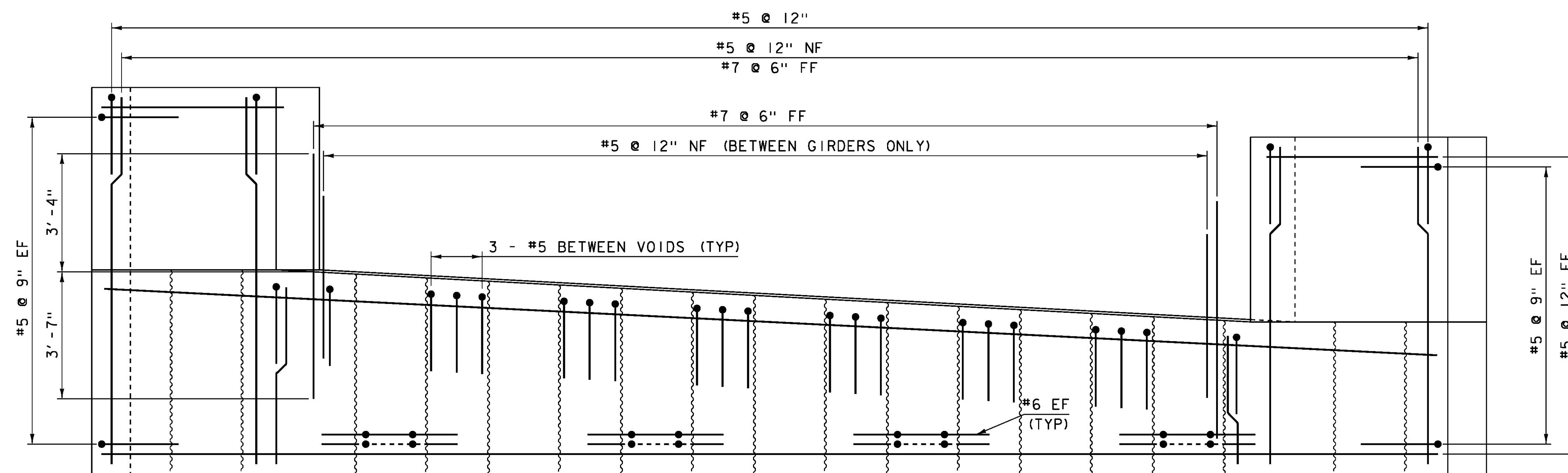
ABUTMENT 1 REINFORCING PLAN (PCU 1)

SCALE 1/2" = 1'-0



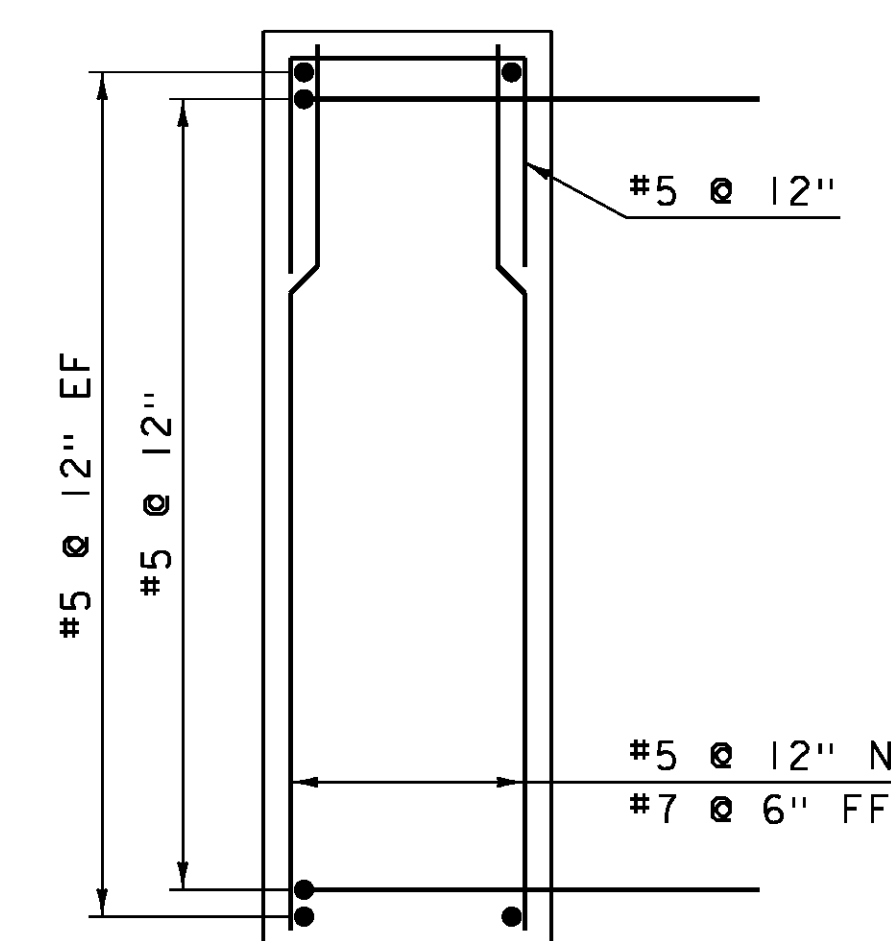
SECTION A-A

NTS



ABUTMENT 1 REINFORCING ELEVATION (PCU 1)

SCALE 1/2" = 1'-0



SECTION B-B

NTS

NOTES:

1. ABUTMENT 1 SHOWN, ABUTMENT 2 SIMILAR

NOTE:

- NF = NEAR FACE
- FF = FAR FACE
- EF = EACH FACE
- ▲ = CUT TO FIT IN FIELD
- 3" CLEAR, UNLESS OTHERWISE SPECIFIED ON THE PLANS.
- 2'-2" BAR LAP UNLESS OTHERWISE SPECIFIED ON THE PLANS.

PROJECT NAME: CRAFTSBURY	PLOT DATE: 14-OCT-2015
PROJECT NUMBER: BO 1449(34)	DRAWN BY: W. LAMMER
FILE NAME: s13j100sub.dgn	CHECKED BY: S. COLEY
PROJECT LEADER: R. YOUNG	SHEET 22 OF 42
DESIGNED BY: W. LAMMER	
ABUTMENT REINFORCING	