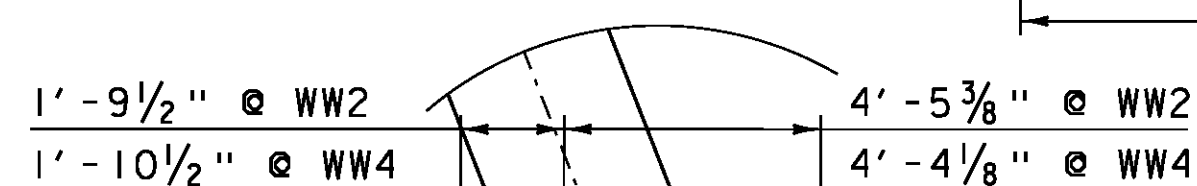
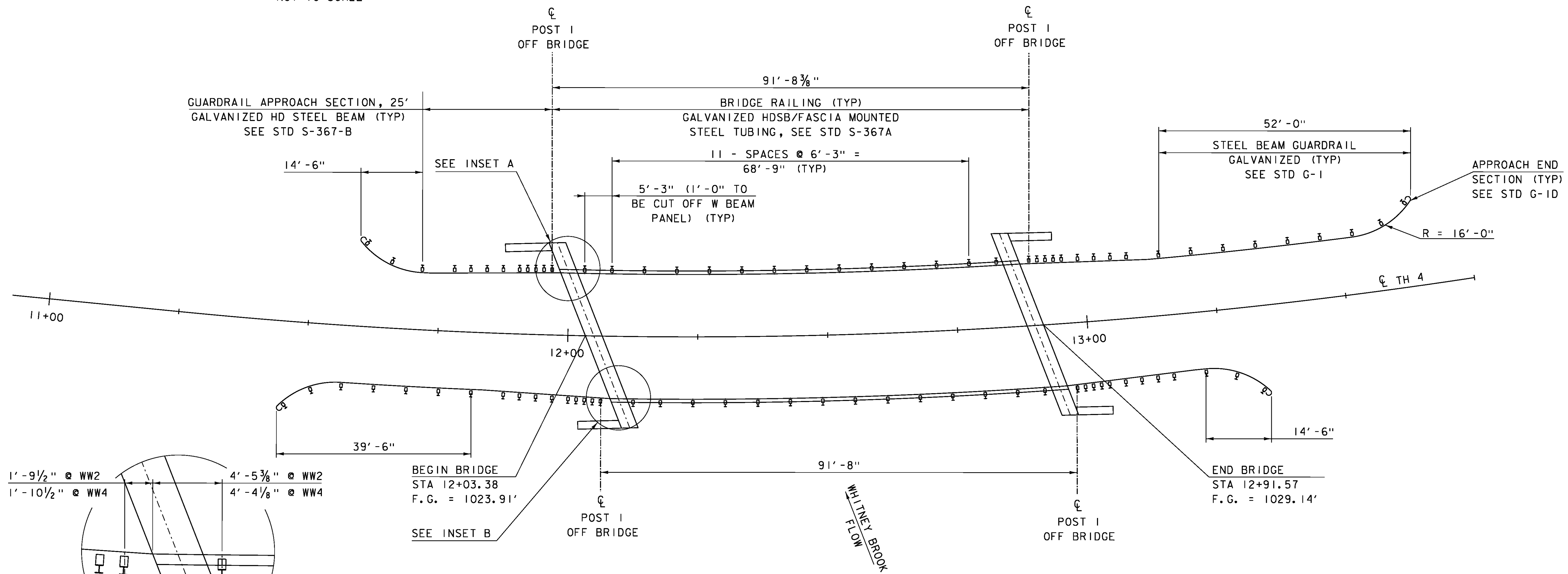
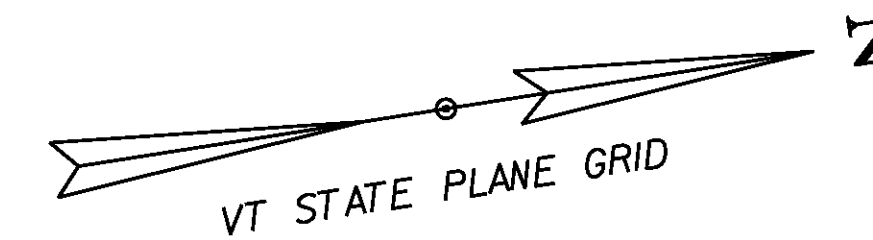


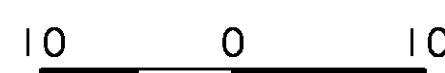
INSET A:
NOT TO SCALE



INSET B:
NOT TO SCALE

RAIL LAYOUT SHEET

SCALE 1" = 10'-0"



PROJECT NAME: CRAFTSBURY	PLOT DATE: 14-OCT-2015
PROJECT NUMBER: BO 1449(34)	DRAWN BY: S. COLEY
FILE NAME: sl3j100-rail.dgn	CHECKED BY: W. LAMMER
PROJECT LEADER: R. YOUNG	SHEET 15 OF 42
DESIGNED BY: W. LAMMER	
RAIL LAYOUT SHEET	