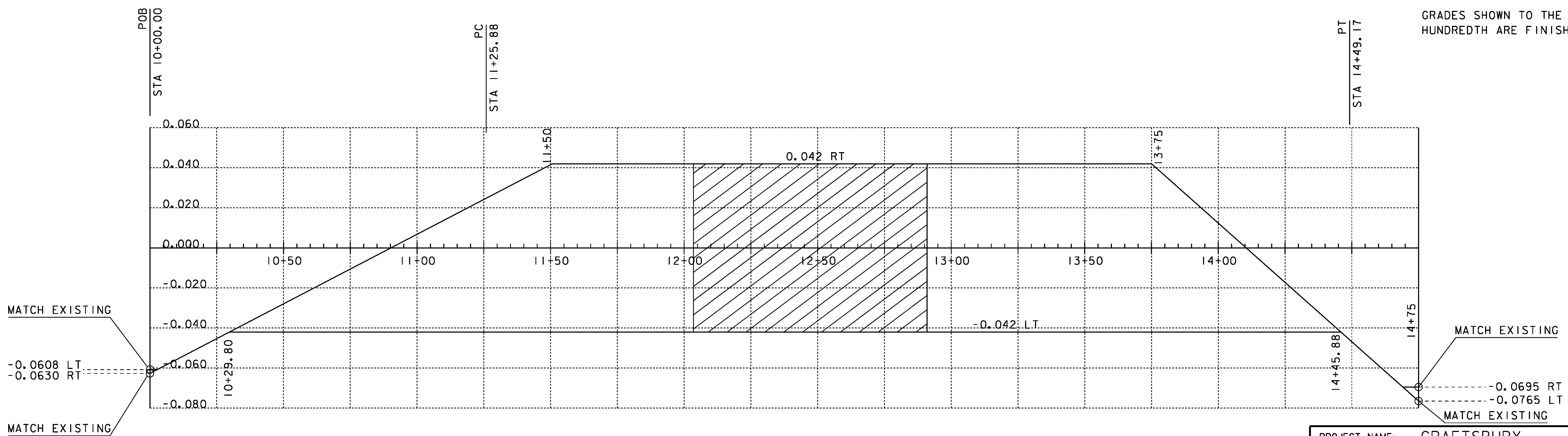


TH-4 PROFILE
 HORIZONTAL SCALE 1"=20'
 VERTICAL SCALE 1"=10'

NOTE:
 GRADES SHOWN TO THE NEAREST TENTH ARE EXISTING GROUND ALONG ϕ
 GRADES SHOWN TO THE NEAREST HUNDREDTH ARE FINISH GRADE ALONG ϕ



BANKING DIAGRAM
 HORIZONTAL SCALE: 1" = 20' - 0"
 VERTICAL SCALE: NOT TO SCALE

PROJECT NAME:	CRAFTSBURY	PLOT DATE:	14-OCT-2015
PROJECT NUMBER:	BO 1449(34)	DRAWN BY:	S. COLEY
FILE NAME:	s13j100profile.dgn	DESIGNED BY:	W. LAMMER
PROJECT LEADER:	R. YOUNG	CHECKED BY:	W. LAMMER
PROFILE & BANKING DIAGRAM		SHEET	11 OF 42