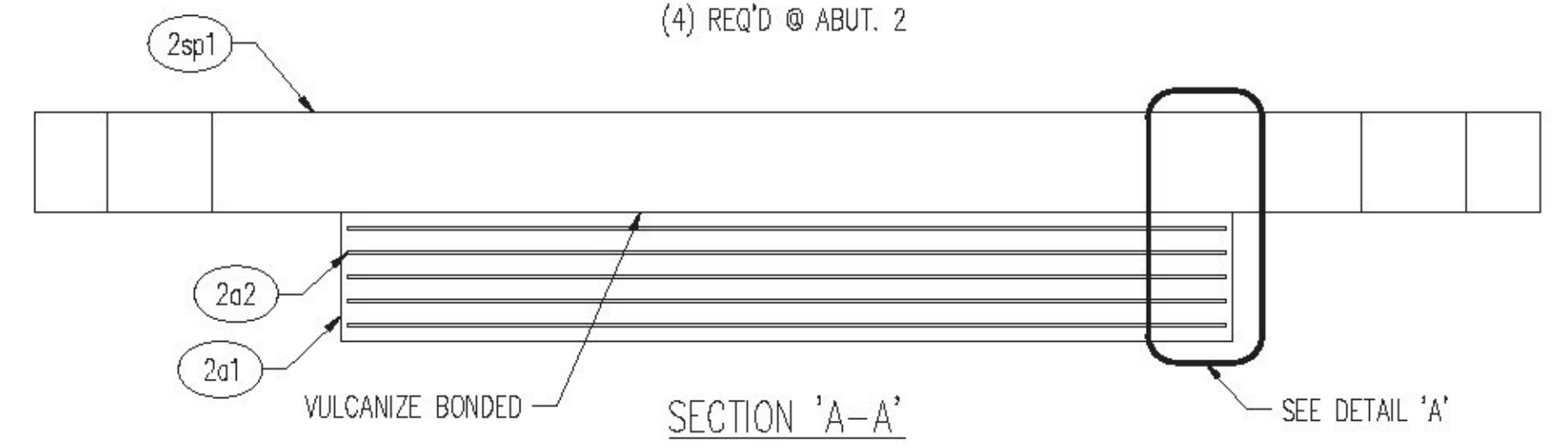
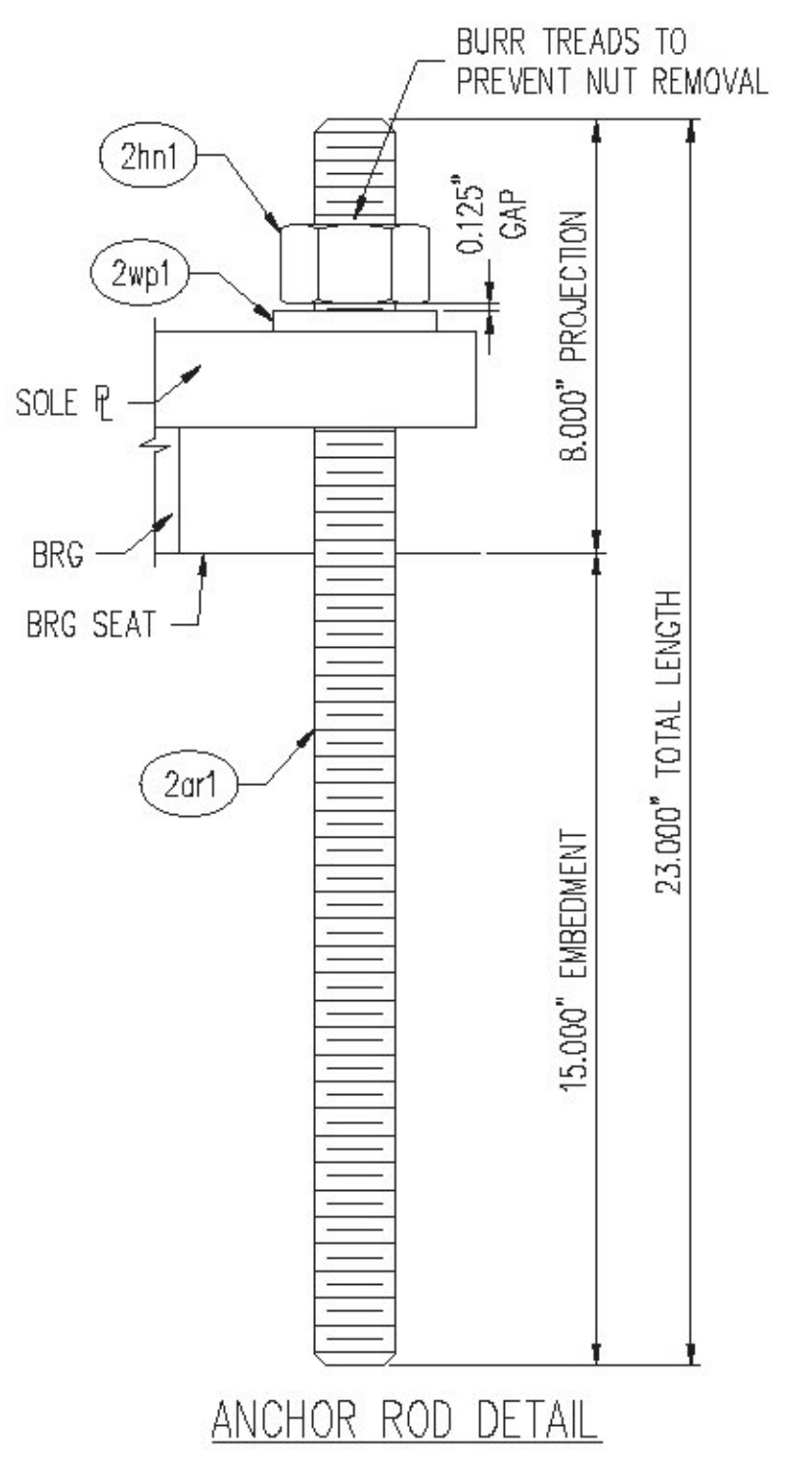


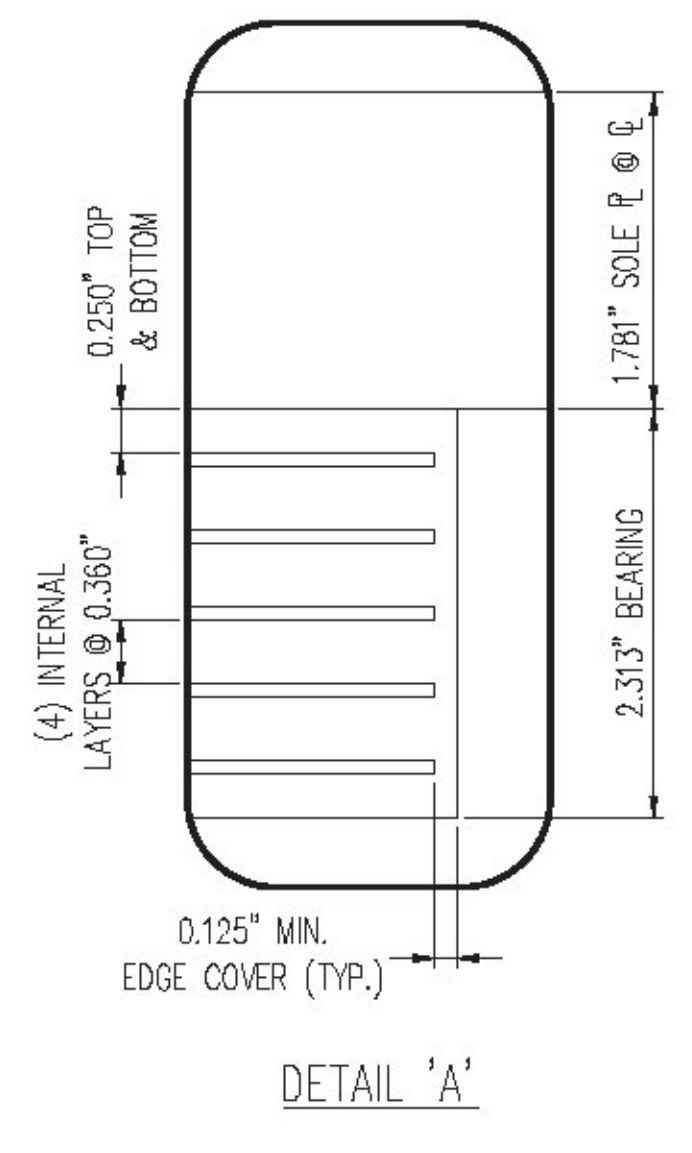
PLAN VIEW
ELASTOMERIC BEARING
(4) REQ'D @ ABUT. 2



SECTION 'A-A'



ANCHOR ROD DETAIL



DETAIL 'A'

This substitution is acceptable.

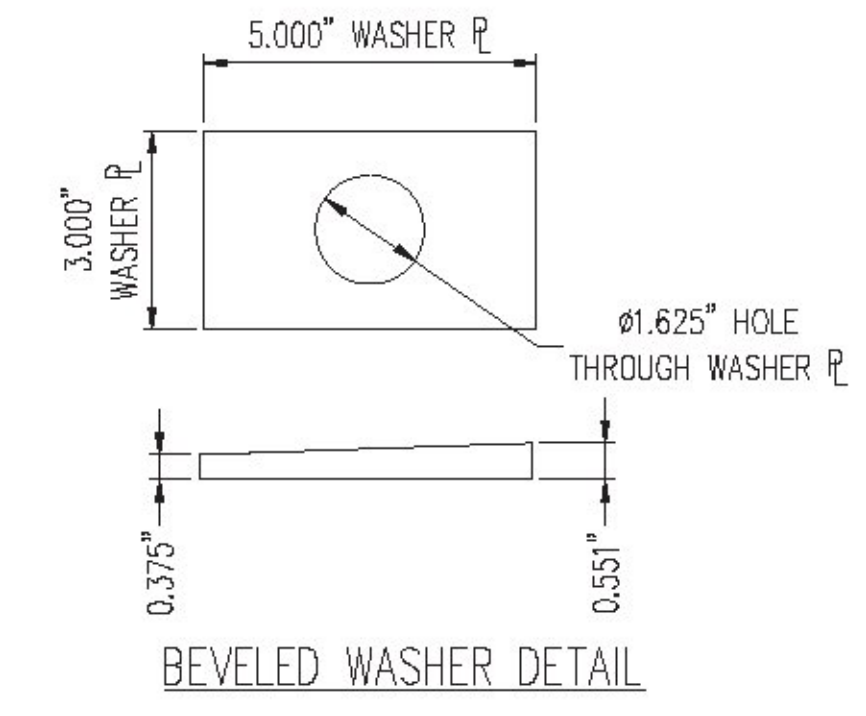
Please indicate the material specification. AASHTO M 251 per subsection 731.03 of the specifications.

MK	QTY	DESCRIPTION	MATERIAL	LENGTH	REMARKS	WT	REV
2A	4	ELASTOMERIC BEARING	51887.1104.1			290	
2a2	4	2.313" X 16.000"	NATURAL RUBBER	12.000"	130 PSI +/-15% GR. 4	18	
2a2	20	14 GA X 15.750"	A1011 GR 36	11.750"	PLAIN	4	
2sp1	4	2.063" X 27.000"	A709 GR 36	16.000"	A123-HDG	253	
2B	8	THREADED ROD	51887.1101.HDWR			12	
2ar1	8	Ø1.500" X 23.000" THREADED ROD	F1554 GR 36 OR 55-ST		A153-HDG	12	
2C	8	HEAVY HEX NUT	51887.1101.HDWR			1	
2hn1	8	Ø1.500" HEX NUT	A563-DH OR A194-2H HEAVY HEX		A153-HDG, DRY LUBE & DYE	1	
2D	8	WASHER PLATE	51887.1101.HDWR			2	
2wp1	8	0.551" X 3.000"	A36	5.000"	Ø1.563" HOLE @ CENTER, SEE WASHER PLATE DETAIL; A123-HDG	2	
*Approx. Cross Wt. Lbs Per Single Unit						1,31/17	2:37:10 PM

DUE TO AVAILABILITY D.S. BROWN WOULD LIKE TO HAVE THE OPTION TO ORDER EITHER MATERIAL, PLEASE VERIFY

This material option is acceptable.

1.625" per detail and contract plans.



BEVELED WASHER DETAIL

DEAD LOAD	LIVE LOAD
62.7	96.7

SEE SHT. GN1 FOR GENERAL NOTES & COATING LIMITS.

REV.	DESCRIPTION	DATE	DET.	CKD.
	LOCATION — TH-1, RURAL MAJOR COLLECTOR, FAS ROUTE 0211			
	BRIDGE — NO. 8			
	PROJECT — BF 0221 (32)			
	PROJECT NAME — HUNTINGTON			
	P.O. NO. — 8495			
	DESIGNER — VHB			
	CUSTOMER — S.D. IRELAND BROTHERS CORP.			

DESCRIPTION	SCALE	ISSUED BY	DATE	PROJECT NUMBER	PROJECT CODE	RELEASE	SHEET
VERSIFLEX ELASTOMERIC BEARING CHITTENDEN CO., VT	N.T.S.	DA	2/1/17	51887	1104	1	02

Vermont Agency of Transportation
RECEIVED
CK'D BY Rob Young OK'D BY Rob Young
February 2, 2017
RESUBMIT No Approved AsNoted
BY Rob Young DATE 02/16/2017

