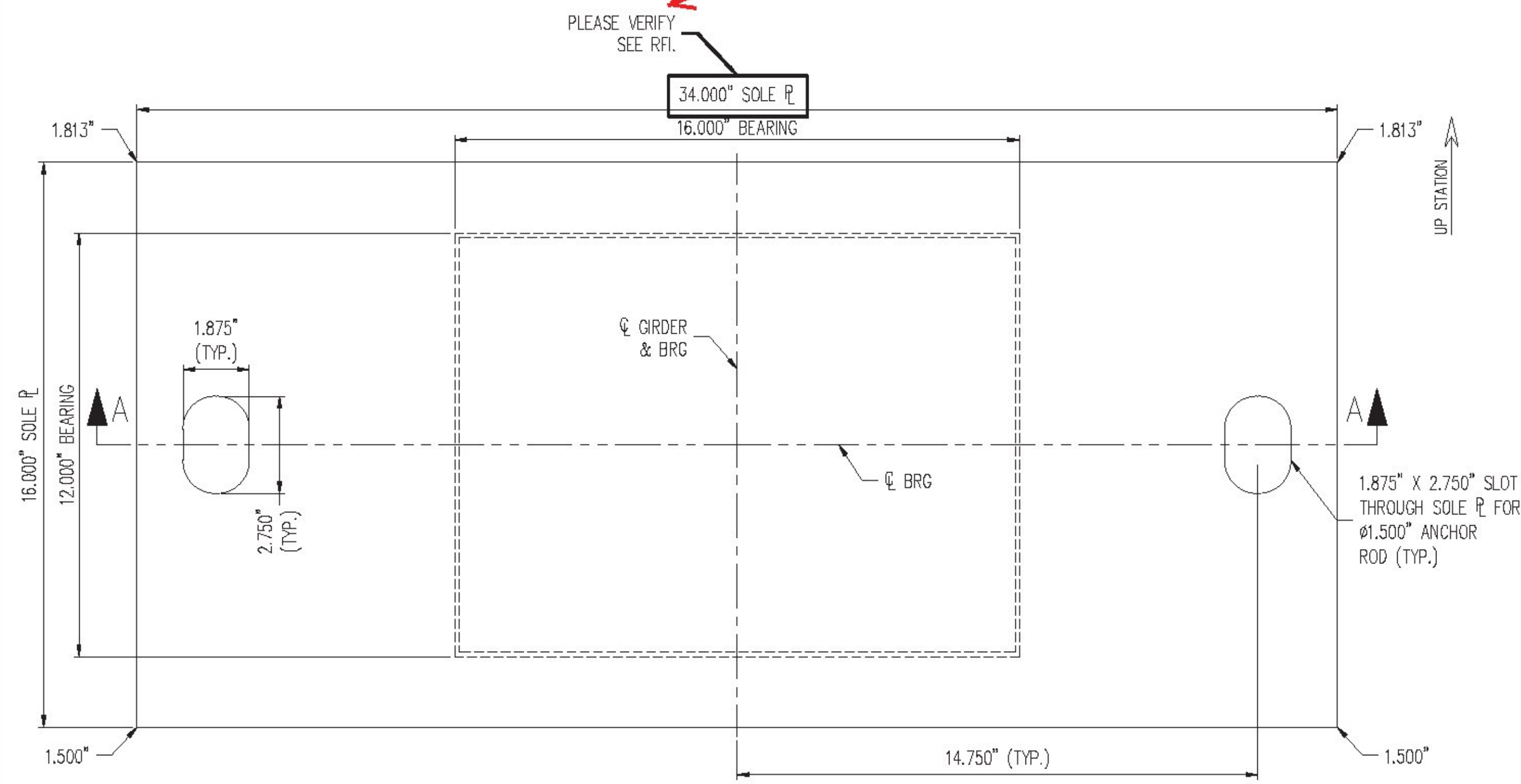


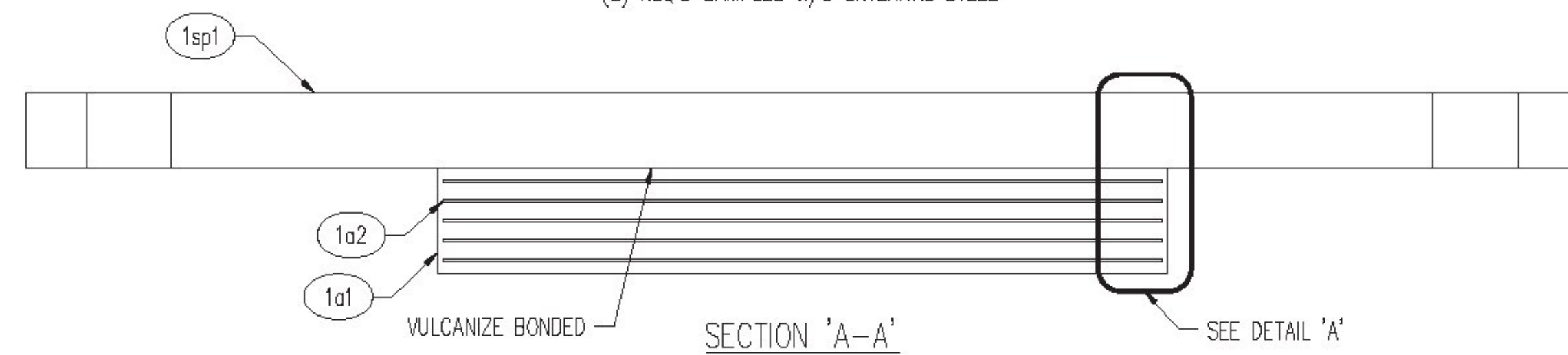
Yes, this is the correct length.

This substitution is acceptable.

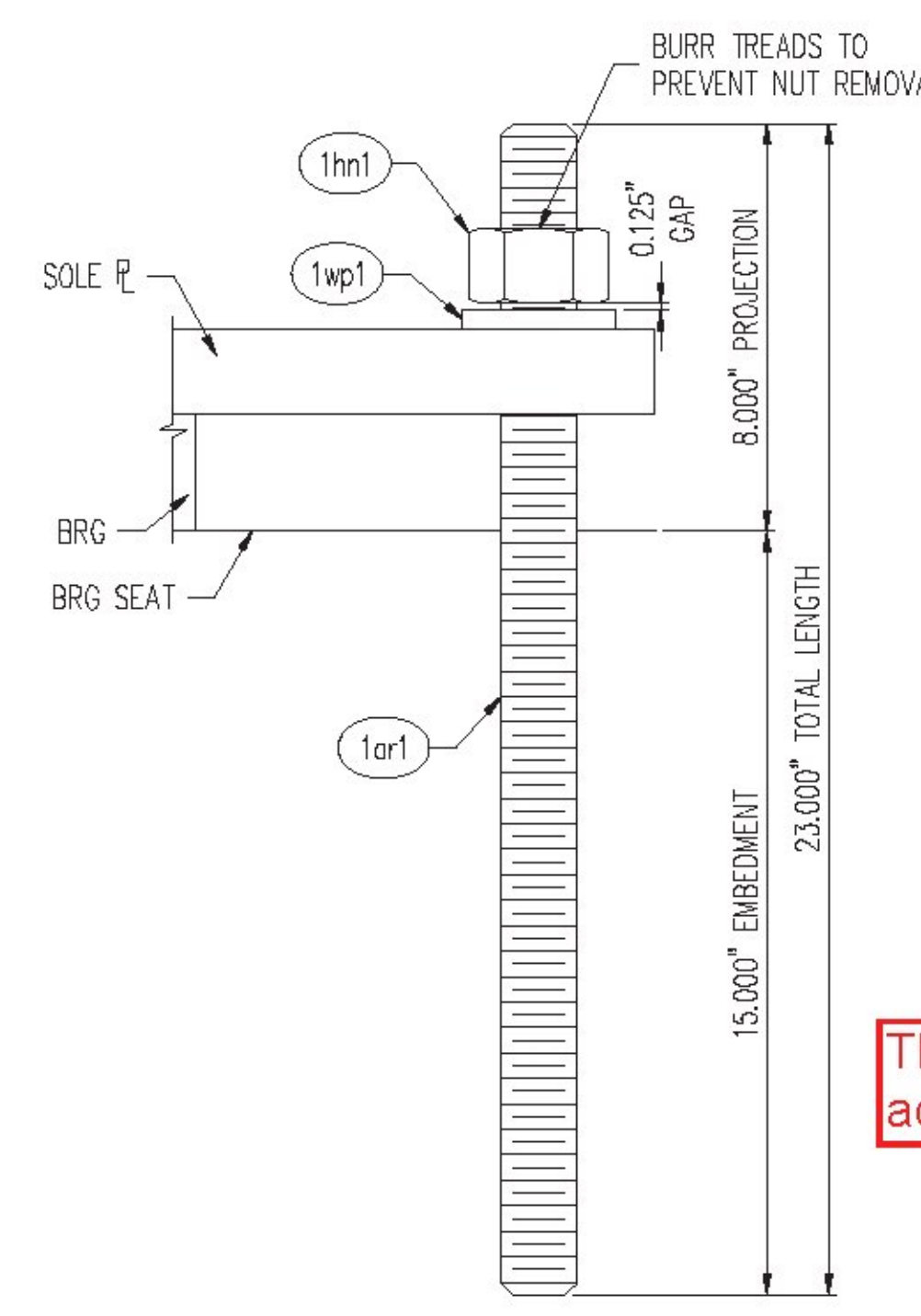
Please indicate the material specification. AASHTO M 251 per subsection 731.03 of the specifications.



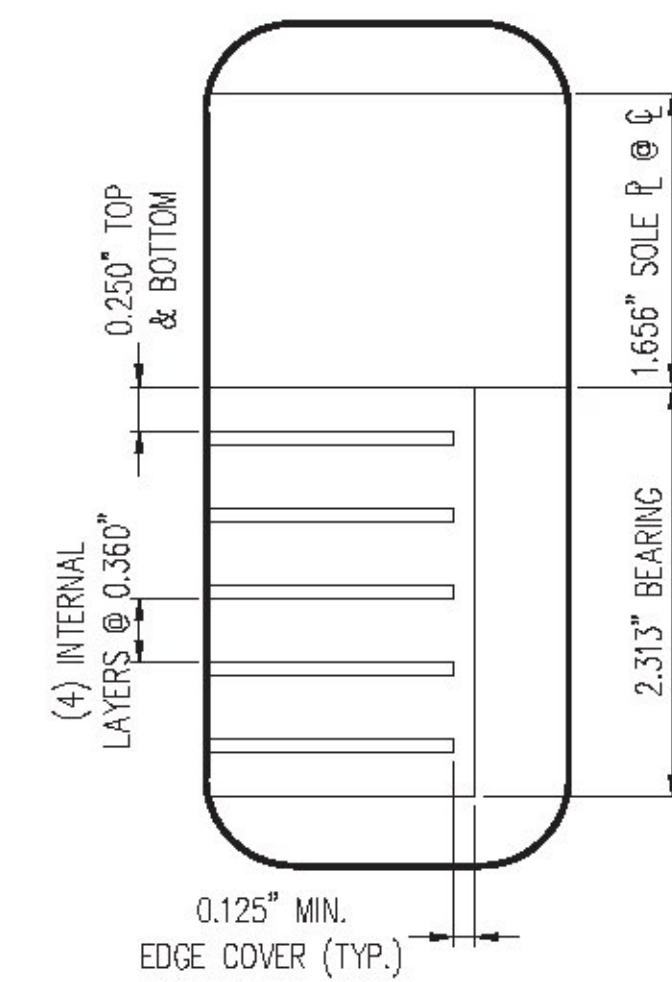
PLAN VIEW  
ELASTOMERIC BEARING  
(4) REQ'D @ ABUT. 1  
(2) REQ'D SAMPLES W/O EXTERNAL STEEL



SECTION 'A-A'



ANCHOR ROD DETAIL

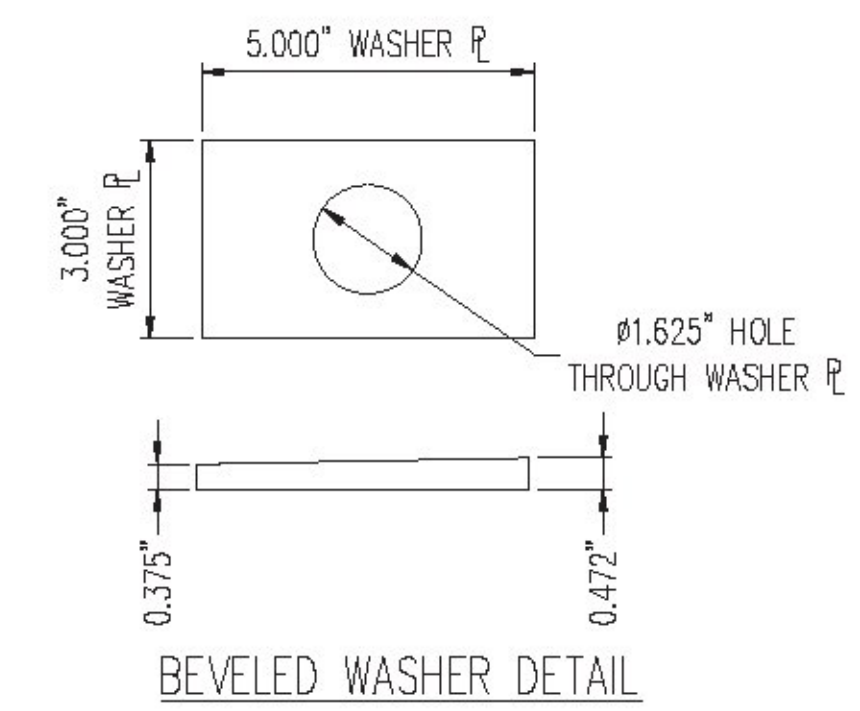


DETAIL 'A'

MK	QTY	DESCRIPTION	MATERIAL	LENGTH	REMARKS	WT*	REV
1A	4	ELASTOMERIC BEARING	51887.1104.1			317	
1a1	4	2.313" X 16.000"	NATURAL RUBBER	12.000"	130 PSI +/-15% GR. 4	18	
1a2	20	14 GA. X 15.750"	A1011 GR 36	11.750"	PLAIN	4	
1sp1	4	1.813" X 34.000"	A709 GR 36	16.000"	A123-HDG	280	
1B	8	THREADED ROD	51887.1101.HDWR			12	
1ar1	8	Ø1.500" X 23.000" THREADED ROD	F1554 GR 36 OR 55-SI		A153-HDG	12	
1C	8	HEAVY HEX NUT	51887.1101.HDWR			1	
1hn1	8	Ø1.500" HEX NUT	A563-DH OR A194-2H HEAVY HEX		A153-HDG, DRY LUBE & DYE	1	
1D	8	WASHER PLATE	51887.1101.HDWR			2	
1wp1	8	0.473" X 3.000"	A36	5.000"	Ø1.563" HOLE @ CENTER, SEE WASHER P DETAIL; A123-HDG	2	
1F	2	ELASTOMERIC BEARING SAMPLES	51887.1103.1			37	
1a1	2	2.313" X 16.000"	NATURAL RUBBER	12.000"	130 PSI +/-15% GR. 4	18	
1a2	10	14 GA. X 15.750"	A1011 GR 36	11.750"	PLAIN	4	
*Approx. Gross Wt. Lbs Per Single Unit							
							1/31/17 2:37:10 PM

This material option is acceptable.

1.625" per detail and contract plans.



BEVELED WASHER DETAIL

DEAD LOAD	LIVE LOAD
62.7	96.7

SEE SHT. GN1 FOR GENERAL NOTES & COATING LIMITS.

REV.	DESCRIPTION	DATE	DET.	CKD.
	LOCATION — TH-1, RURAL MAJOR COLLECTOR, FAS ROUTE 0211		ITEM	QUANTITY
	BRIDGE — NO. 8		—	—
	PROJECT — BF 0221 (32)		—	—
	PROJECT NAME — HUNTINGTON		—	—
	P.O. NO. — 8495		—	—
	DESIGNER — VHB		—	—
	CUSTOMER — S.D. IRELAND BROTHERS CORP.		—	—

Vermont Agency of Transportation  
**RECEIVED**  
CK'D BY \_\_\_\_\_ OK'D BY Rob Young  
February 2, 2017  
RESUBMIT No Approved AsNoted  
BY Rob Young DATE 02/18/2017

DESCRIPTION	SCALE	FORM BY	CHECKED BY	DATE
VERSIFLEX ELASTOMERIC BEARING CHITTENDEN CO., VT	N.T.S.	DA	ECW	2/1/17
	PROJECT NUMBER	PRODUCT CODE	RELEASE	SHEET
	51887	1104	1	01