

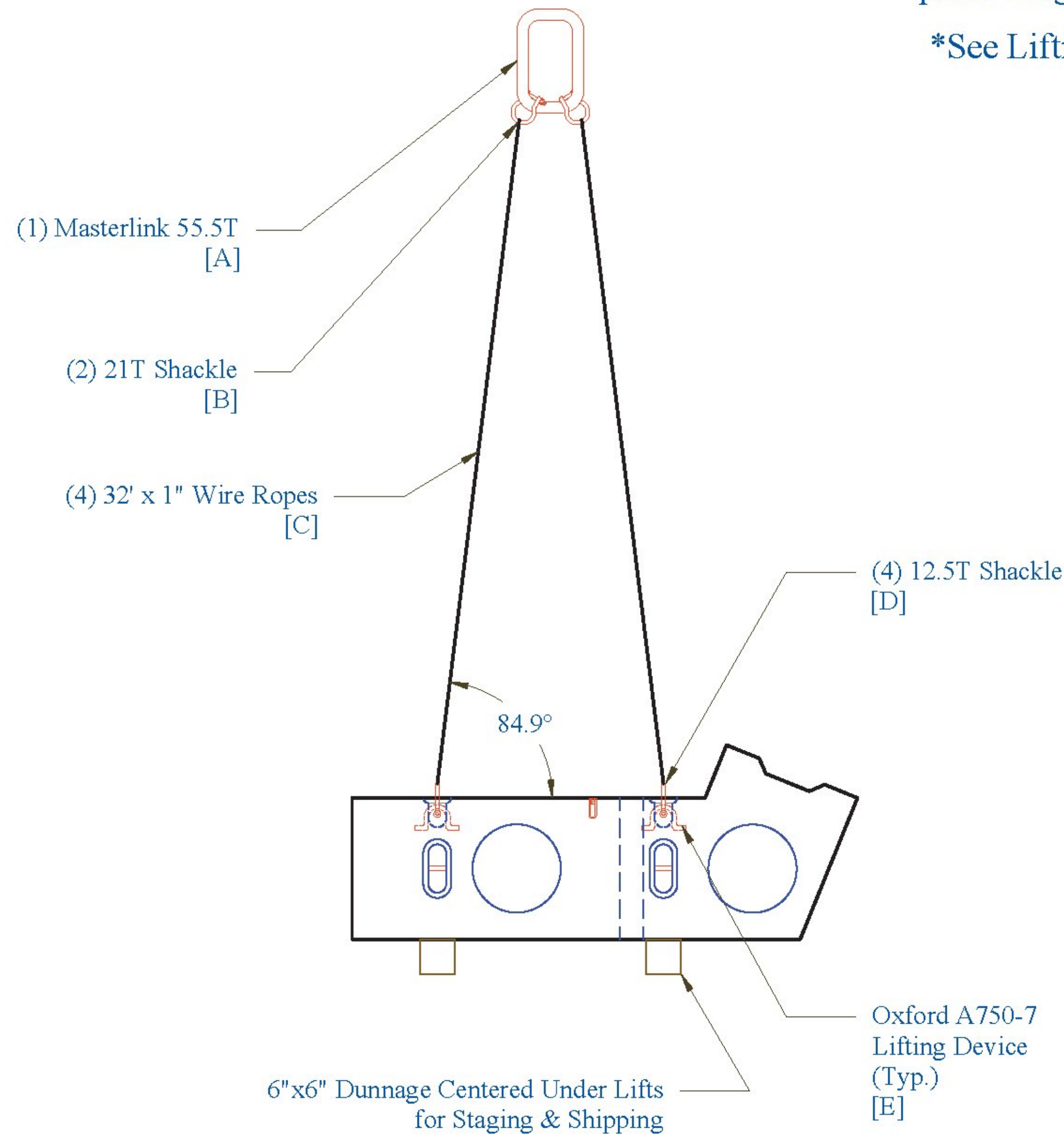
Wingwall 3: Lifting & Handling

Note: Wingwall 1, Wingwall 2, Wingwall 4, Wingwall 3 Cap, & Wingwall 4 Cap similar.

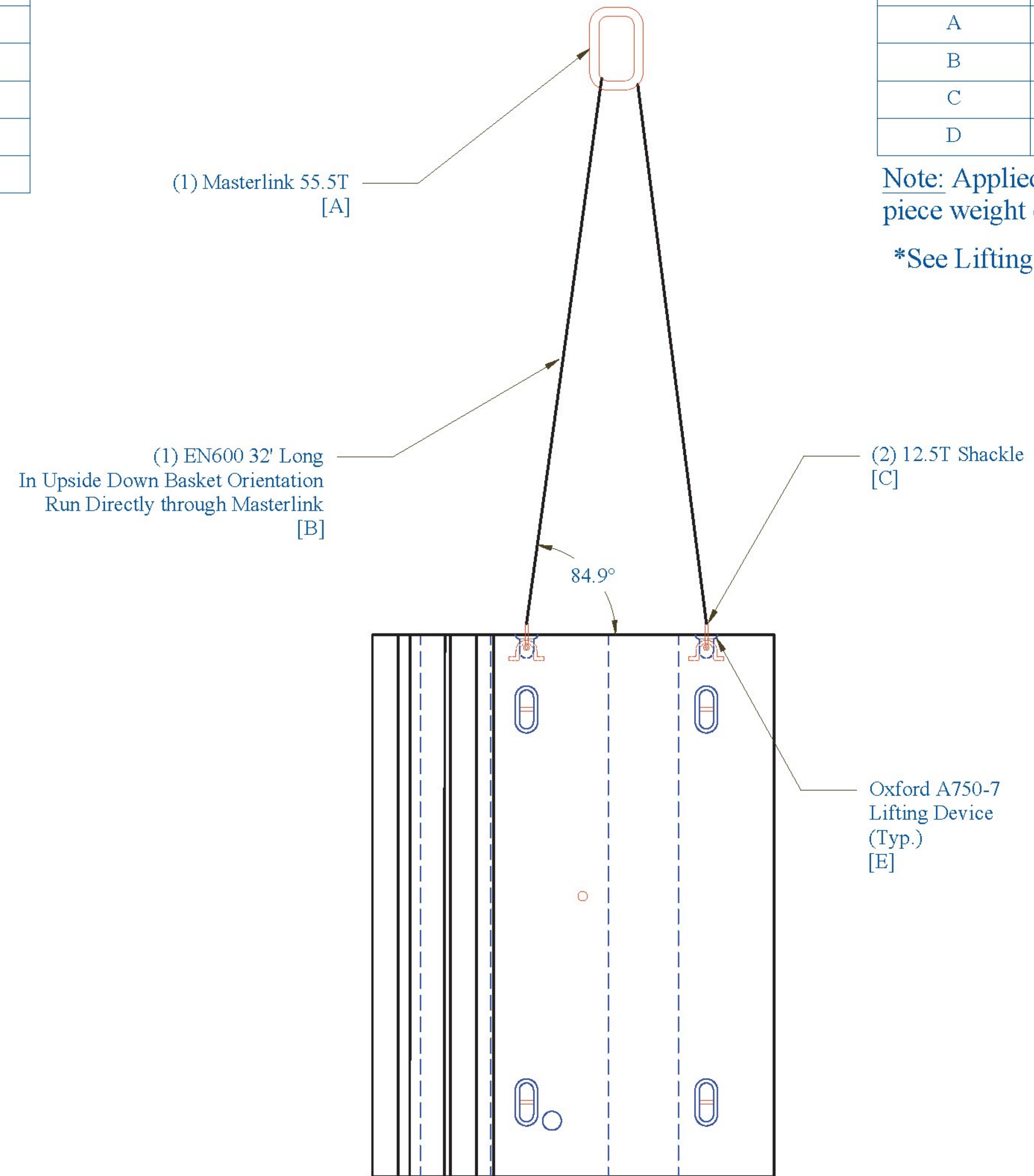
Wingwall 3 Lifting Details		
Mark	Rated Capacity (lbs)	Applied Capacity (lbs)
A	111,000	16,760
B	42,000	8,380
C	19,600	4,190
D	25,000	4,190
E	10,000	4,190

Note: Applied capacity based upon piece weight of 16,760 lbs.

*See Lifting Calculations



Shipping & Handling Position



Install Position

Wingwall 3 Lifting Details		
Mark	Rated Capacity (lbs)	Applied Capacity (lbs)
A	111,000	16,760
B	106,000	16,760
C	25,000	8,380
D	10,000	8,380

Note: Applied capacity based upon piece weight of 16,760 lbs.

*See Lifting Calculations

Vermont Agency of Transportation
RECEIVED
 CK'D BY: Rob Young OK'D BY: Rob Young
 April 21, 2017
 RESUBMIT NO: Approved AsNoted
 BY: Rob Young DATE: 04/28/2017

CONTRACTORS VISPE:	LEGEND: (A) Oxford A750-7 (D) 3" Pipe (G) Ø 3" x 24" Plastic Corrugated Sleeve (B) P52:20T x 10" Lift (E) Ø 24" Galv. Corrugated Steel Pipe (H) P53 Lift w/ Tension Bar (C) 4" Pipe (F) Ø 15" Galv. Corrugated Steel Pipe (I) 1" Chamfer	PRECAST CONCRETE ABUTMENT SHOP DRAWINGS (SDI JOB #18544)		INSTALLER: S.D. IRELAND CONCRETE WILLISTON, VT 05495 Ph: (802) 863-6222	FABRICATOR: 193 INDUSTRIAL AVE. WILLISTON, VT 05495 Ph: (802) 863-6222
		SUPERVISOR: E. Barendse DETAILER: I. ADAMS CHECKER: E. Barendse ENGINEER: CONCRETE ENG. SOLUTIONS	PROJ. NAME: HUNTINGTON PROJECT #: BF 0211(32) LOCATION: HUNTINGTON, VT	04/20/17	WINGWALL_LIFTING

