

Approach Slab 1B: Lifting & Handling

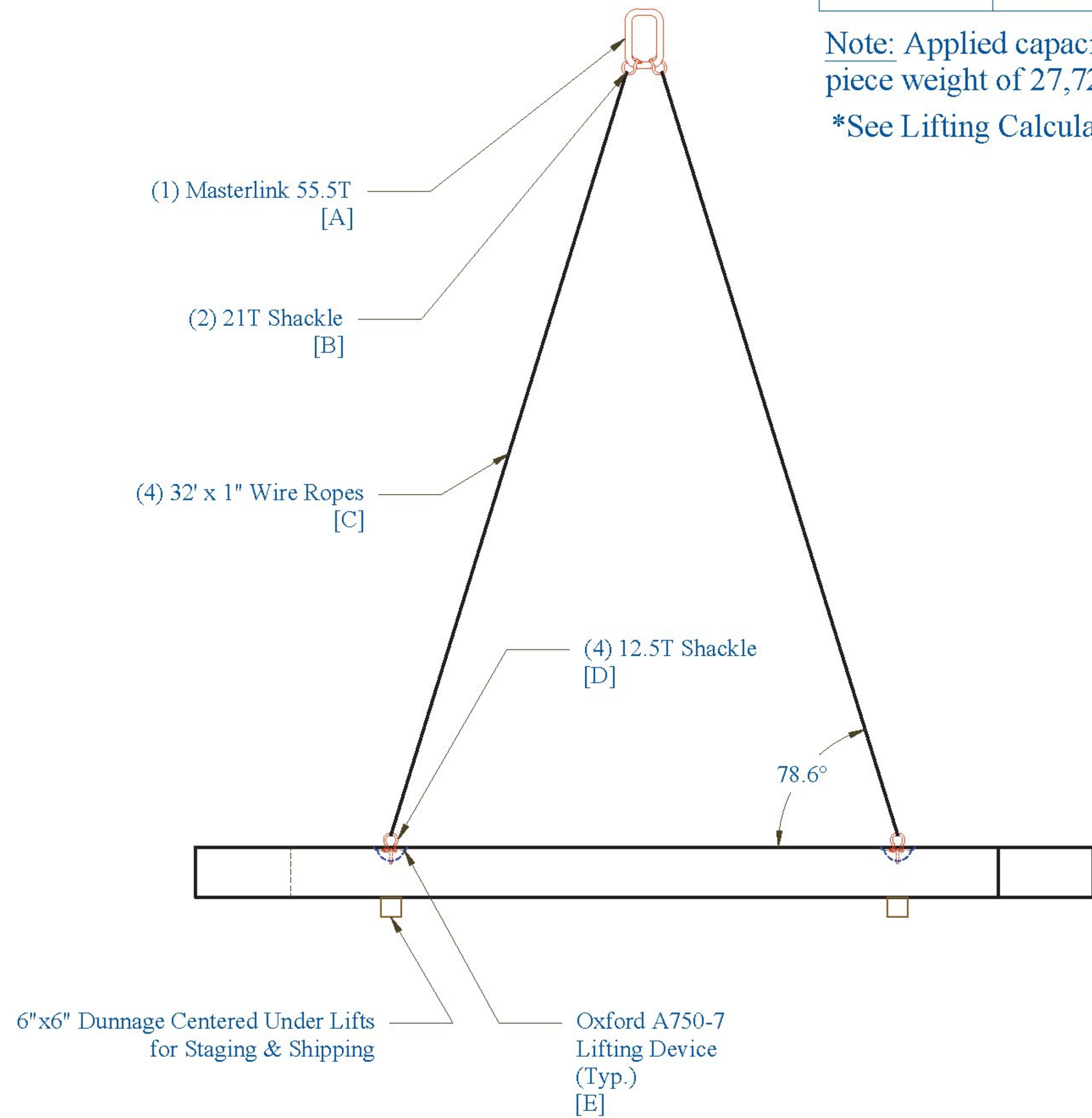
Note:

- All other approach slabs are similar.
- Shown for staging and install.

Approach Slab Lifting Details		
Mark	Rated Capacity (lbs)	Applied Capacity (lbs)
A	111,000	27,720
B	42,000	13,860
C	19,600	6,930
D	25,000	6,930
E	10,000	6,930

Note: Applied capacity based upon piece weight of 27,720 lbs.

*See Lifting Calculations



Stripping & Installation Position

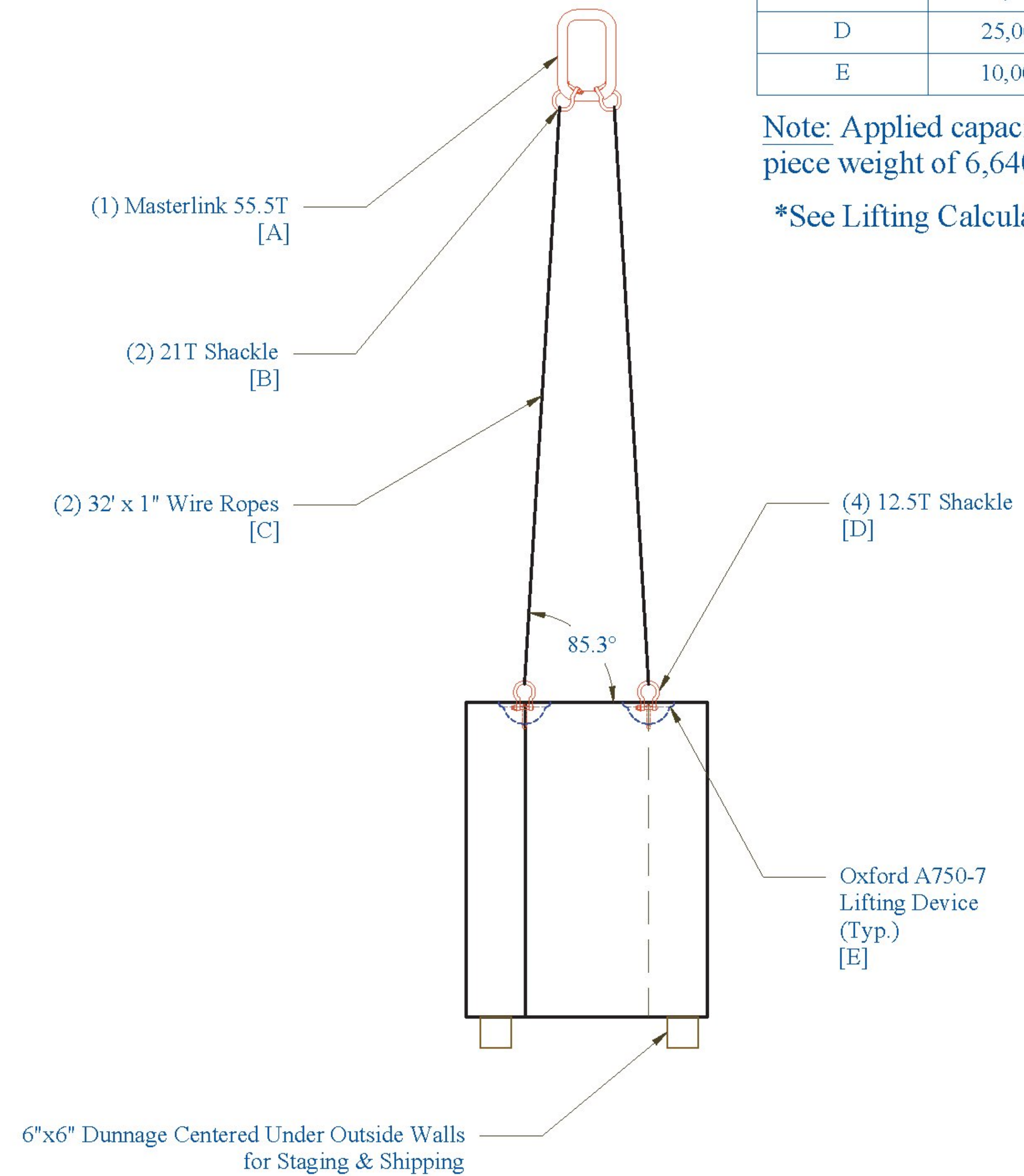
Cheekwall 2: Lifting & Handling

Note: Cheekwall 1 similar.

Cheekwall 2 Lifting Details		
Mark	Rated Capacity (lbs)	Applied Capacity (lbs)
A	111,000	6,640
B	42,000	3,320
C	19,600	3,320
D	25,000	3,320
E	10,000	3,320

Note: Applied capacity based upon piece weight of 6,640 lbs.

*See Lifting Calculations



Stripping & Installation Position

Vermont Agency of Transportation
RECEIVED
 CK'D BY _____ OK'D BY Rob Young
 April 21, 2017
 RESUBMIT NO _____ Approved AsNoted
 BY Rob Young DATE 04/28/2017

CONTRACTORS VISPE: LEGEND: (A) Oxford A750-7 (D) 3" Pipe (G) Ø 3" x 24" Plastic Corrugated Sleeve (B) P52:20T x 10" Lift (E) Ø 24" Galv. Corrugated Steel Pipe (H) P53 Lift w/ Tension Bar (C) 4" Pipe (F) Ø 15" Galv. Corrugated Steel Pipe (I) 1" Chamfer	PRECAST CONCRETE ABUTMENT SHOP DRAWINGS (SDI JOB #18544)		INSTALLER: S.D. IRELAND CONCRETE WILLISTON, VT 05495 Ph: (802) 863-6222	FABRICATOR: 193 INDUSTRIAL AVE. WILLISTON, VT 05495 Ph: (802) 863-6222	
	SUPERVISOR: E. Barendse DETAILER: I. ADAMS CHECKER: E. Barendse ENGINEER: CONCRETE ENG. SOLUTIONS	PROJ. NAME: HUNTINGTON PROJECT #: BF 0211(32) LOCATION: HUNTINGTON, VT	04/20/17	AS_&_CW_LIFTING	