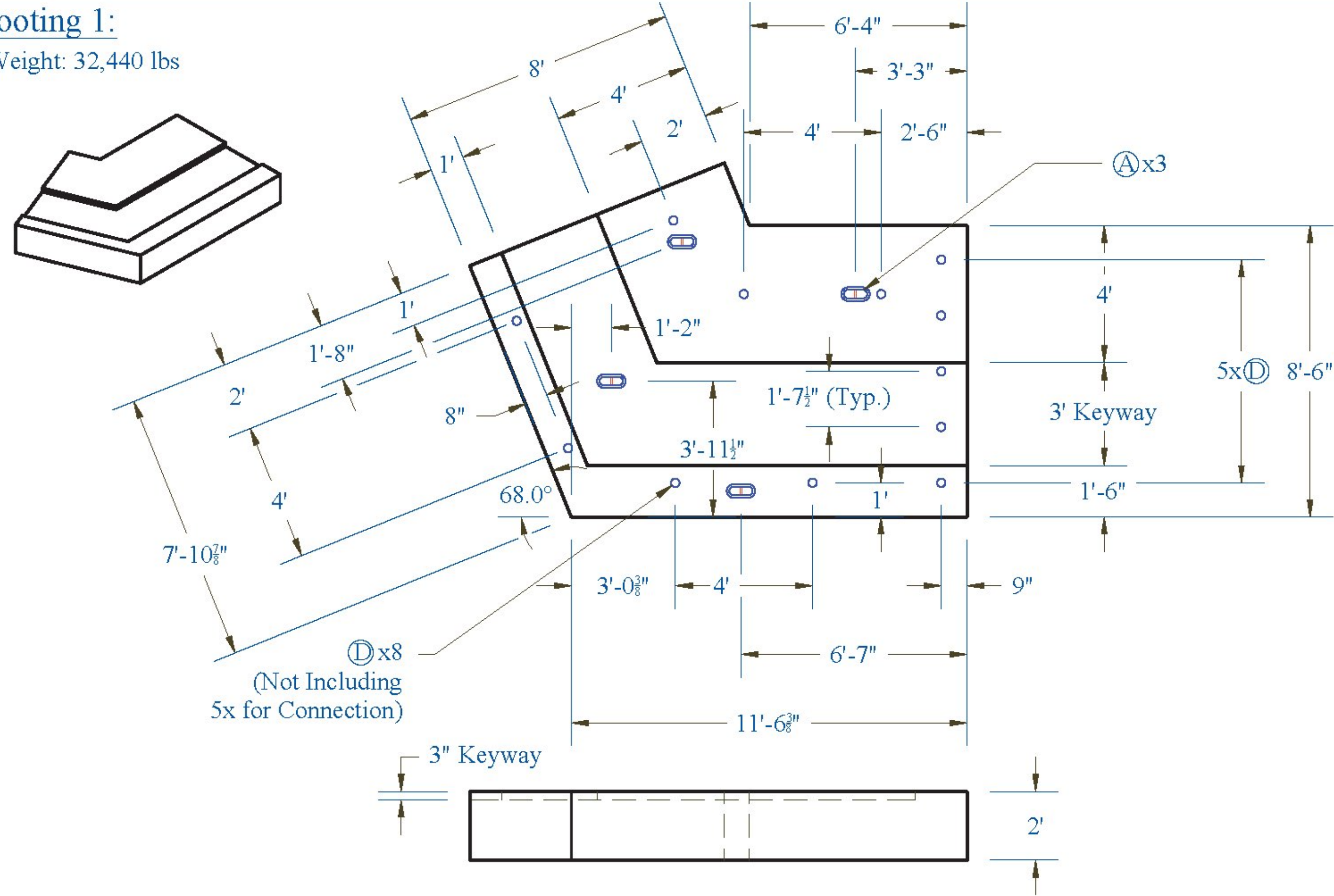


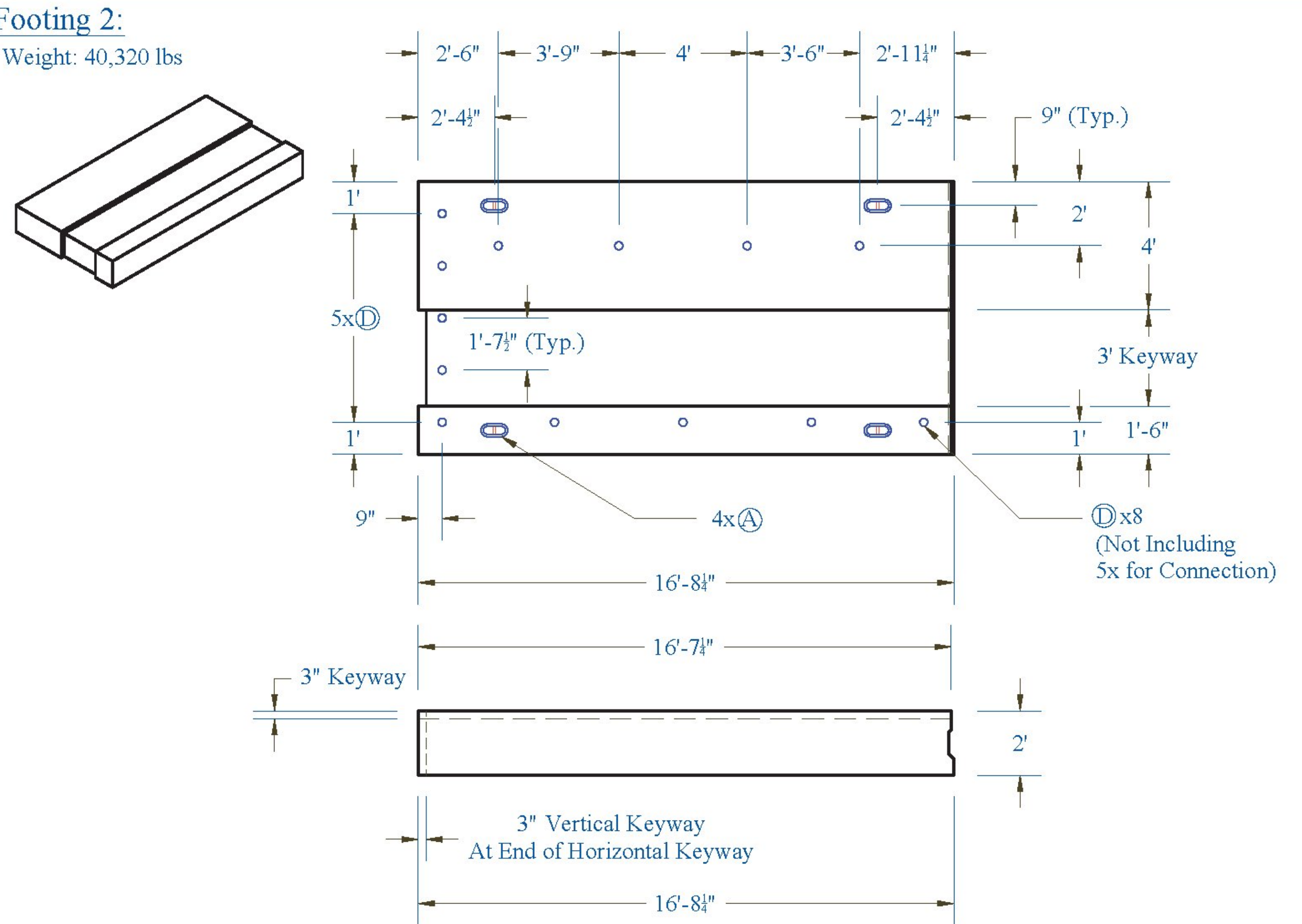
Footing 1:

Weight: 32,440 lbs

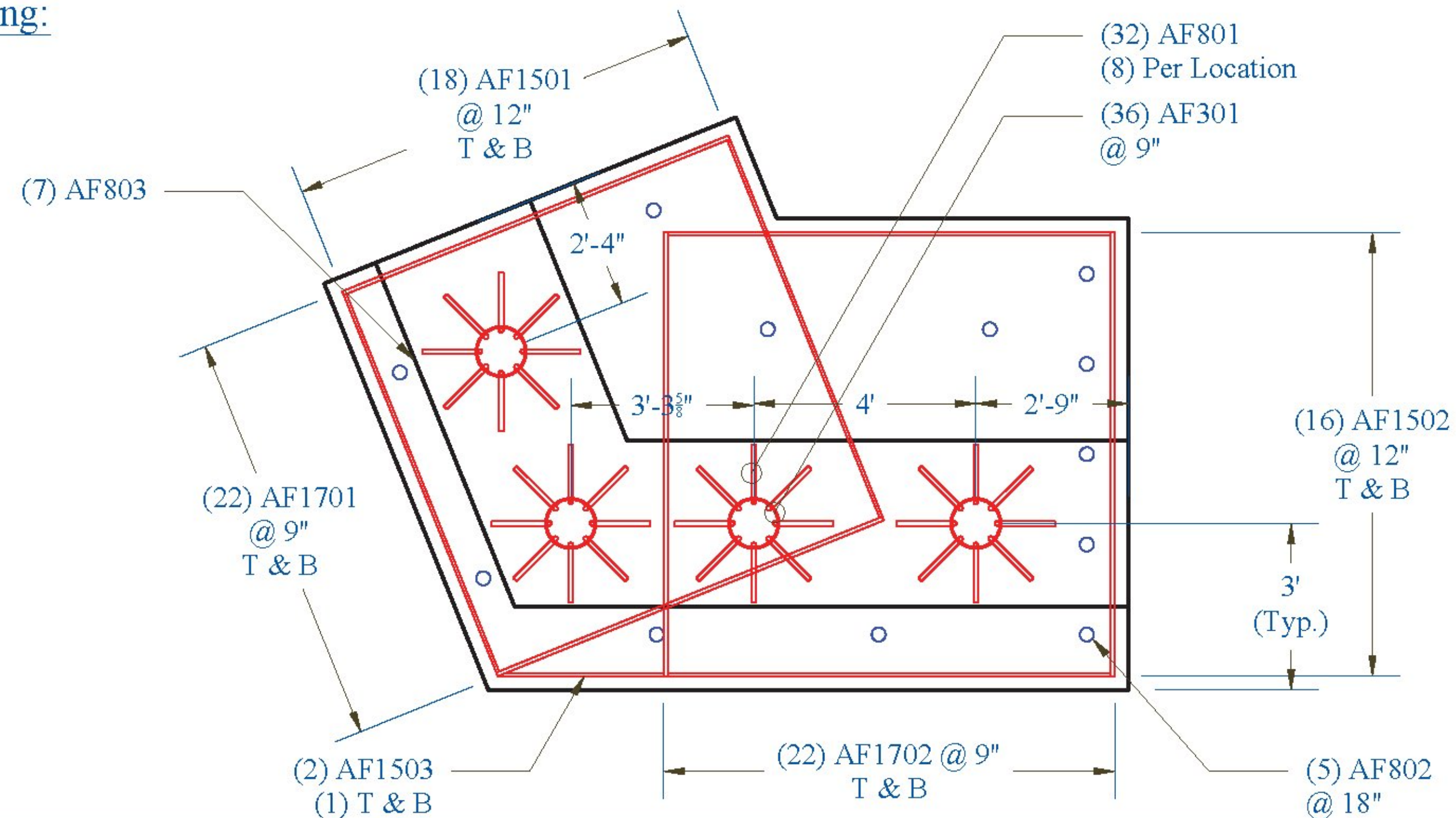


Footing 2:

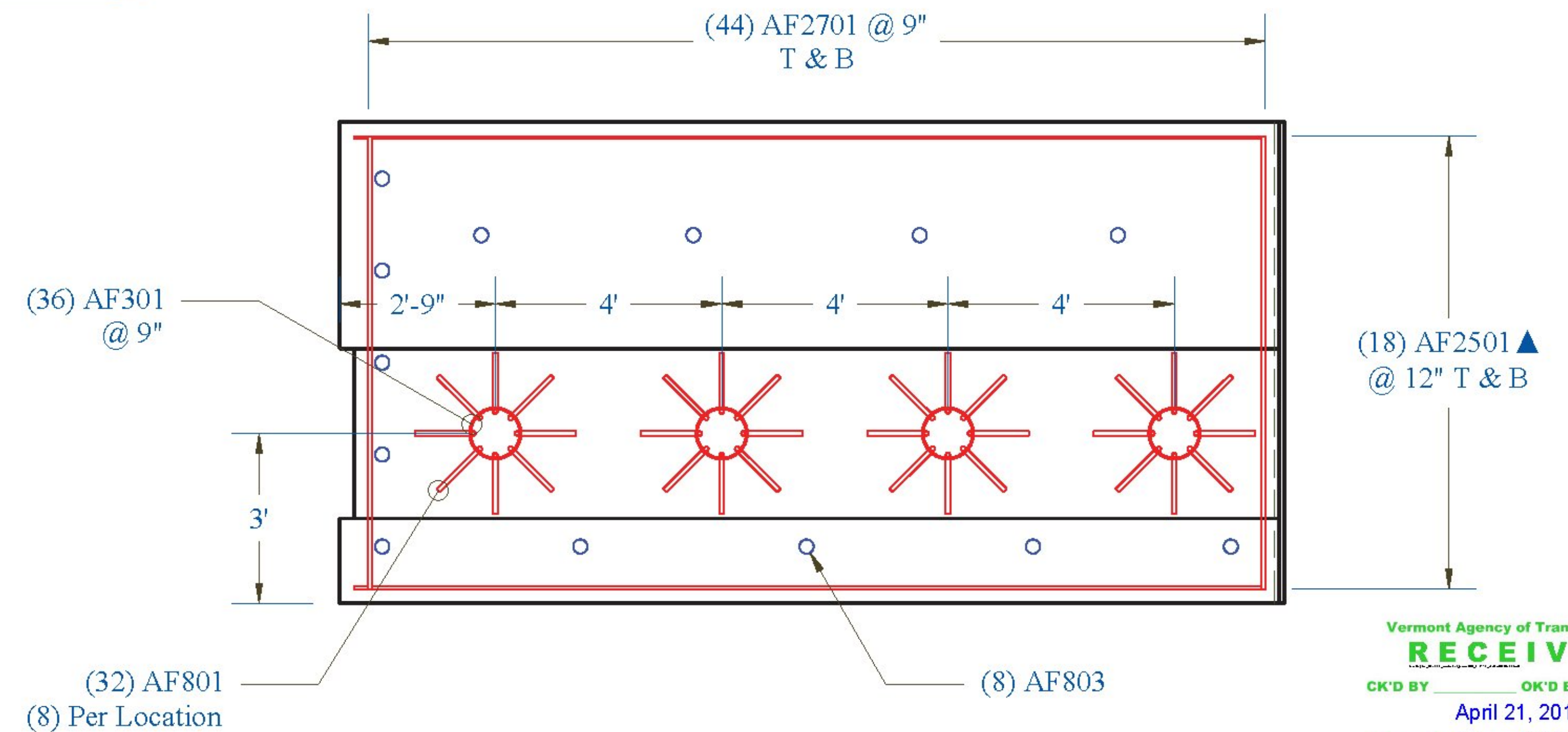
Weight: 40,320 lbs



Reinforcing:



Reinforcing:



Vermont Agency of Transportation
RECEIVED
 CK'D BY _____ OK'D BY Rob Young
 April 21, 2017
 RESUBMIT NO. _____ Approved As Noted
 By Rob Young DATE 04/28/2017

| | | | | | | |
|---|---|--|--|---|--|-------|
| CONTRACTORS VISPE: LEGEND: (A) Oxford A750-7 (B) P52:20T x 10" Lift (C) 4" Pipe (D) 3" Pipe (E) Ø 24" Galv. Corrugated Steel Pipe (F) Ø 15" Galv. Corrugated Steel Pipe (G) Ø 3" x 24" Plastic Corrugated Sleeve (H) P53 Lift w/ Tension Bar (I) 1" Chamfer | PRECAST CONCRETE ABUTMENT SHOP DRAWINGS (SDI JOB #18544) SUPERVISOR: E. Barendse DETAILER: I. ADAMS CHECKER: E. Barendse ENGINEER: CONCRETE ENG. SOLUTIONS | PROJ. NAME: HUNTINGTON PROJECT #: BF 0211(32) LOCATION: HUNTINGTON, VT | INSTALLER: S.D. IRELAND CONCRETE WILLISTON, VT 05495 Ph: (802) 863-6222 04/20/17 | FABRICATOR: 193 INDUSTRIAL AVE. WILLISTON, VT 05495 Ph: (802) 863-6222 ABUTMENT_2_FOOTING_1_AND_2 | | 19/29 |
| | SD Ireland PRECAST | | | | | |