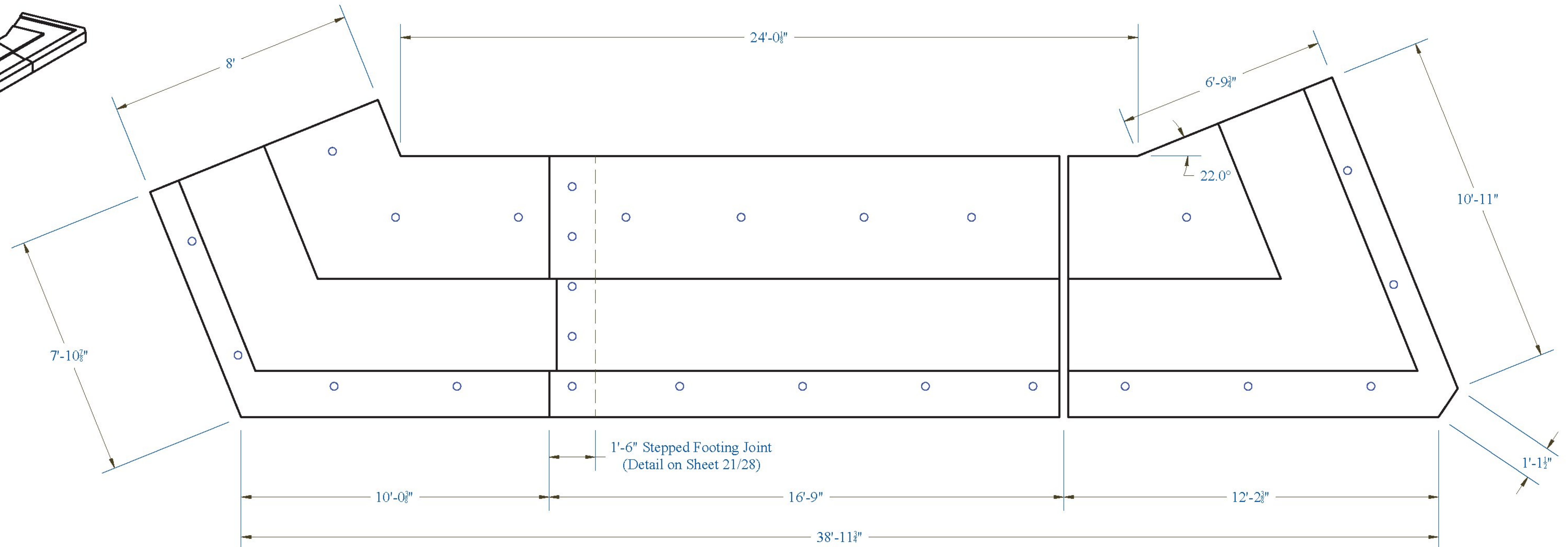
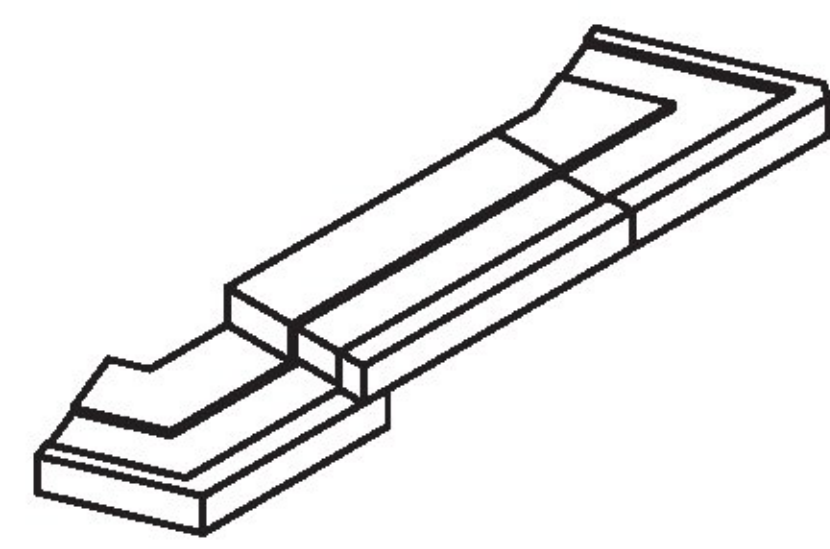
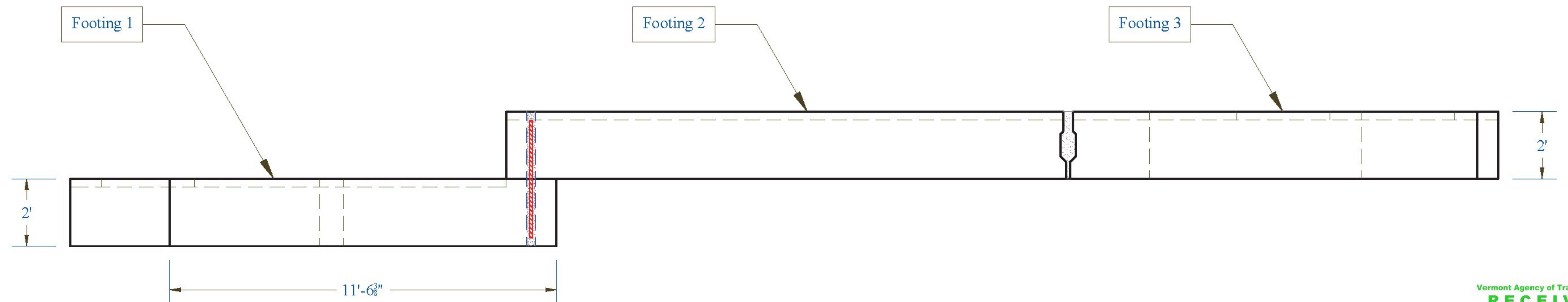


Abutment 2: Footing Overview



Plan View



Section View

Vermont Agency of Transportation
RECEIVED
 CK'D BY: _____ OK'D BY: Rob Young
 April 21, 2017
 RESUBMIT NO: _____ Approved AsNoted
 BY: Rob Young DATE: 04/28/2017

CONTRACTORS VISPE:	LEGEND: A Oxford A750-7 D 3" Pipe G Ø 3" x 24" Plastic Corrugated Sleeve B P52:20T x 10" Lift E Ø 24" Galv. Corrugated Steel Pipe H P53 Lift w/ Tension Bar C 4" Pipe F Ø 15" Galv. Corrugated Steel Pipe I 1" Chamfer	PRECAST CONCRETE ABUTMENT SHOP DRAWINGS (SDI JOB #18544)		INSTALLER: S.D. IRELAND CONCRETE WILLISTON, VT 05495 Ph: (802) 863-6222	FABRICATOR: 193 INDUSTRIAL AVE. WILLISTON, VT 05495 Ph: (802) 863-6222
		SUPERVISOR: E. Barendse DETAILER: I. ADAMS CHECKER: E. Barendse ENGINEER: CONCRETE ENG. SOLUTIONS	PROJ. NAME: HUNTINGTON PROJECT #: BF 0211(32) LOCATION: HUNTINGTON, VT	04/20/17	ABUTMENT_2_FOOTING_OVERVIEW

