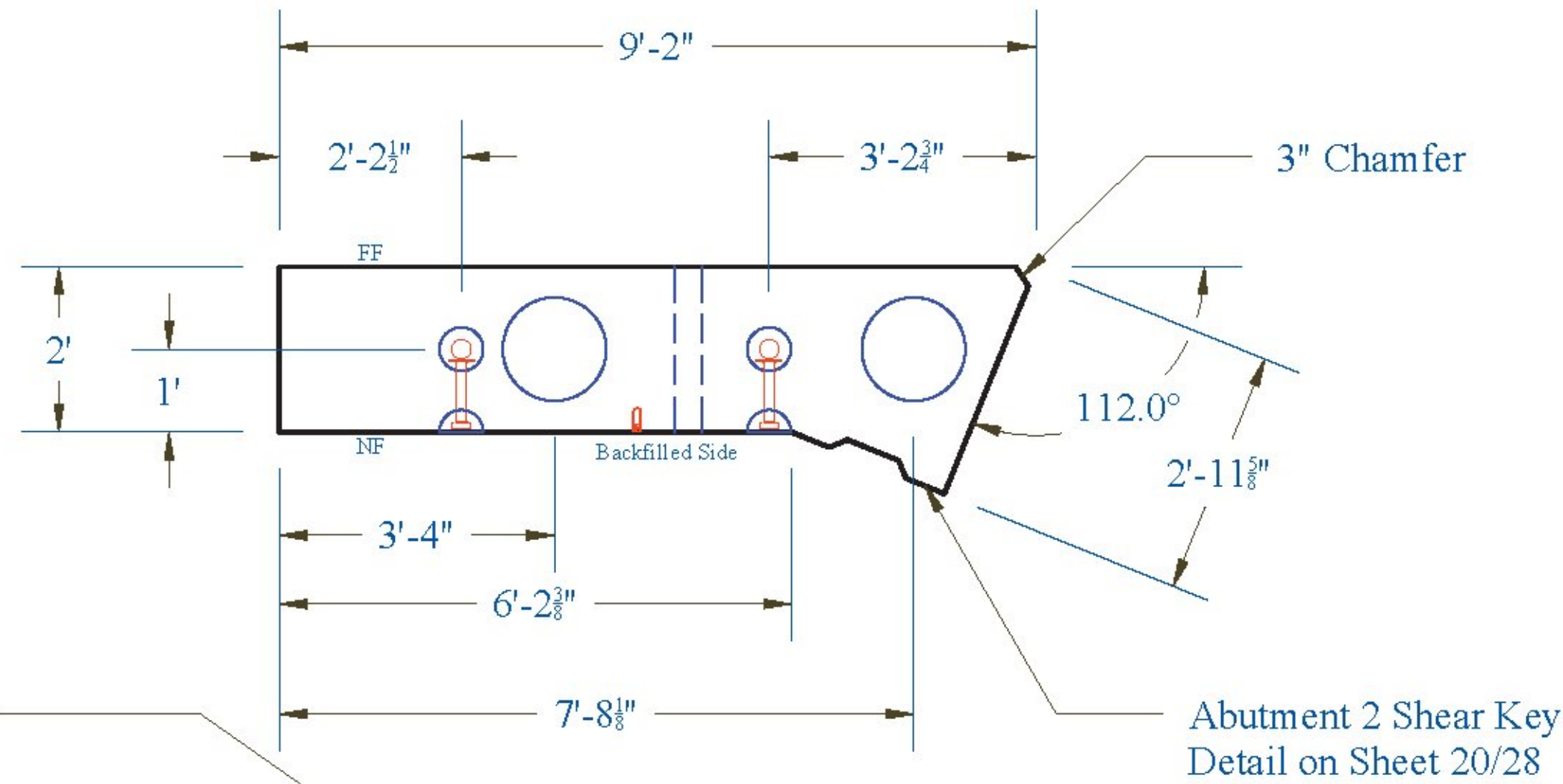
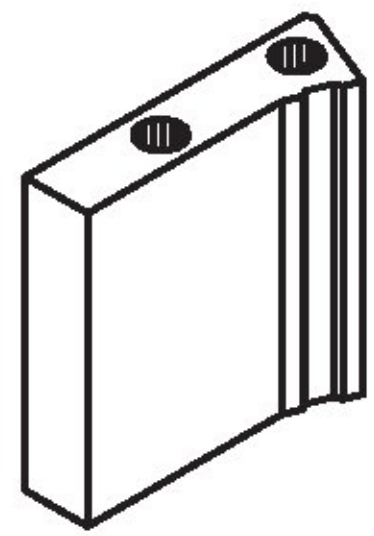


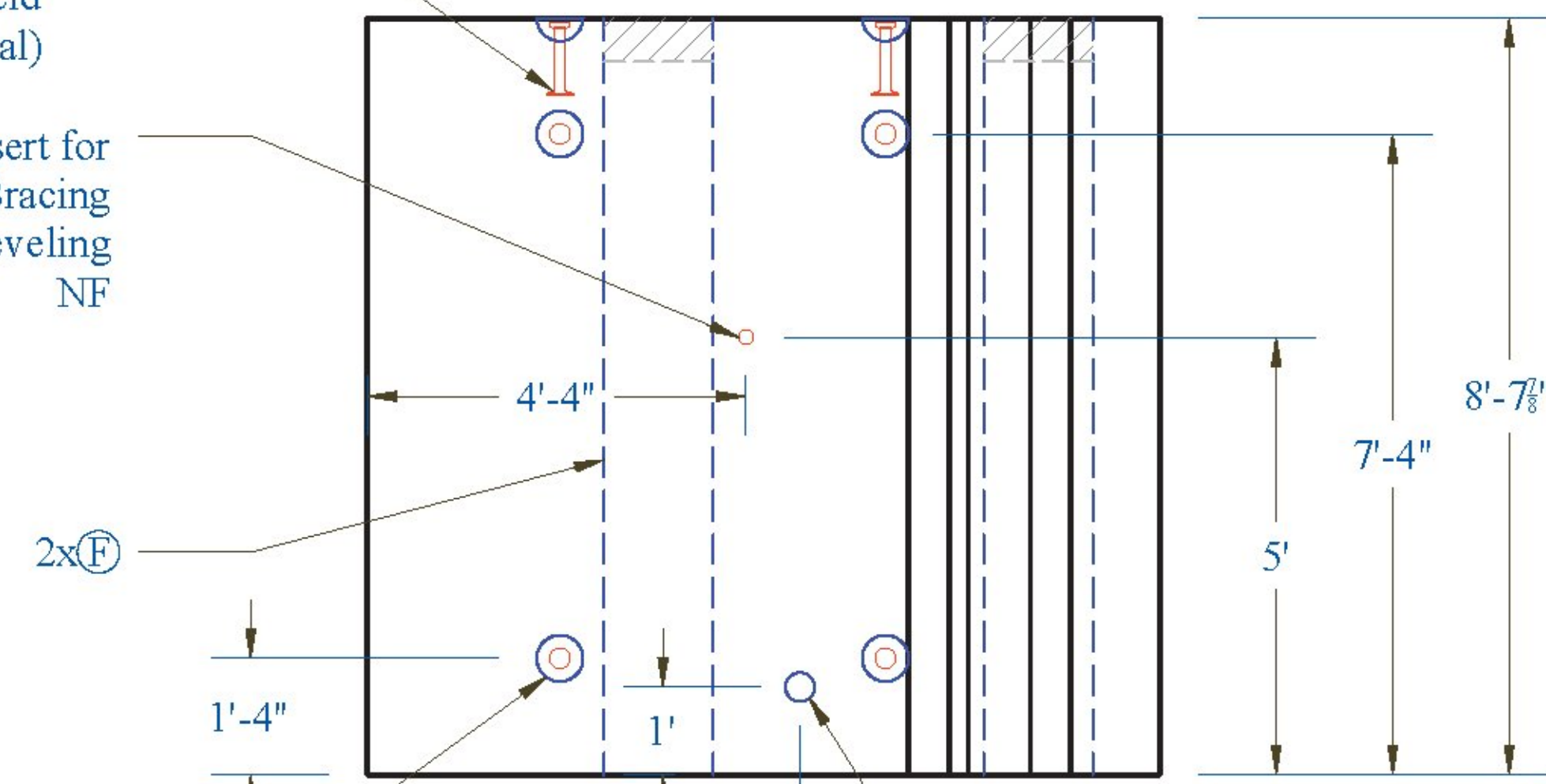
**Wingwall 4:**

Weight: 20,120 lbs



2xⓅ  
Each Side on Top  
for Picking in Field  
(6x Total)

3/4" Coil Rod Insert for  
Temporary Bracing  
& Leveling  
NF

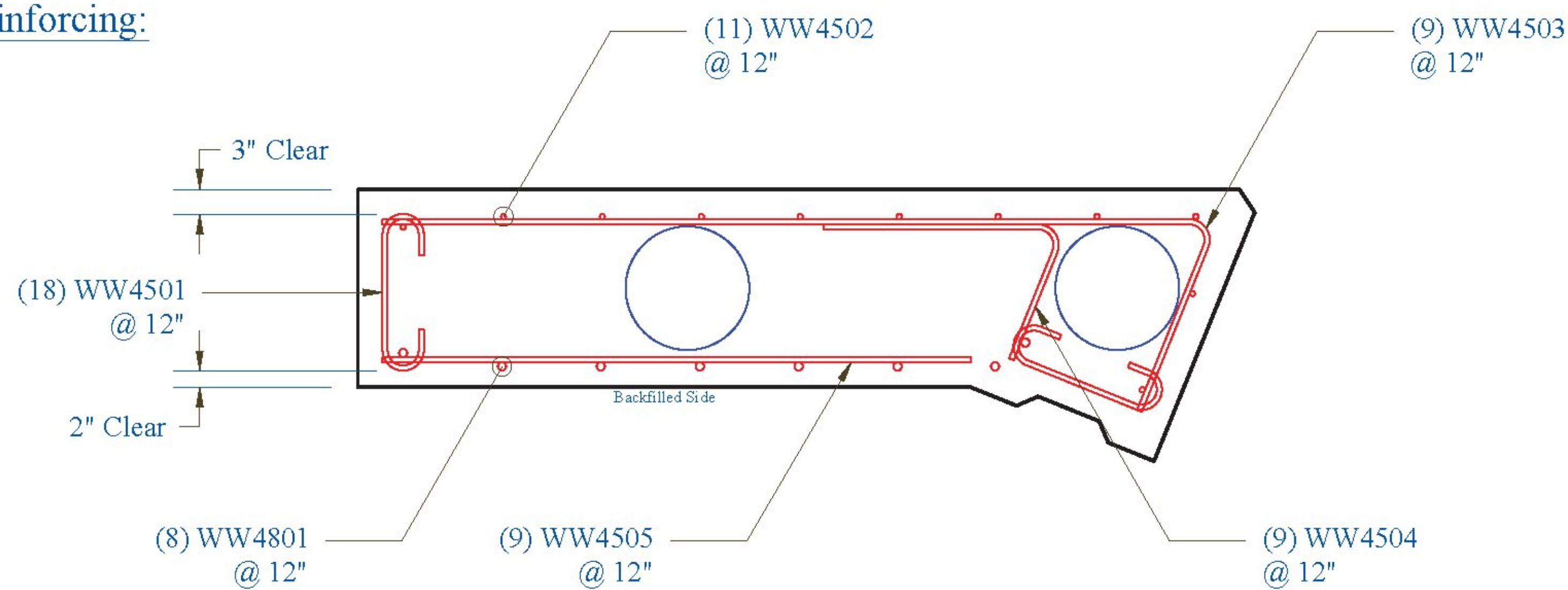


4xⓅ  
for Shipping  
NF  
(6x Total)

Ⓢ Weephole

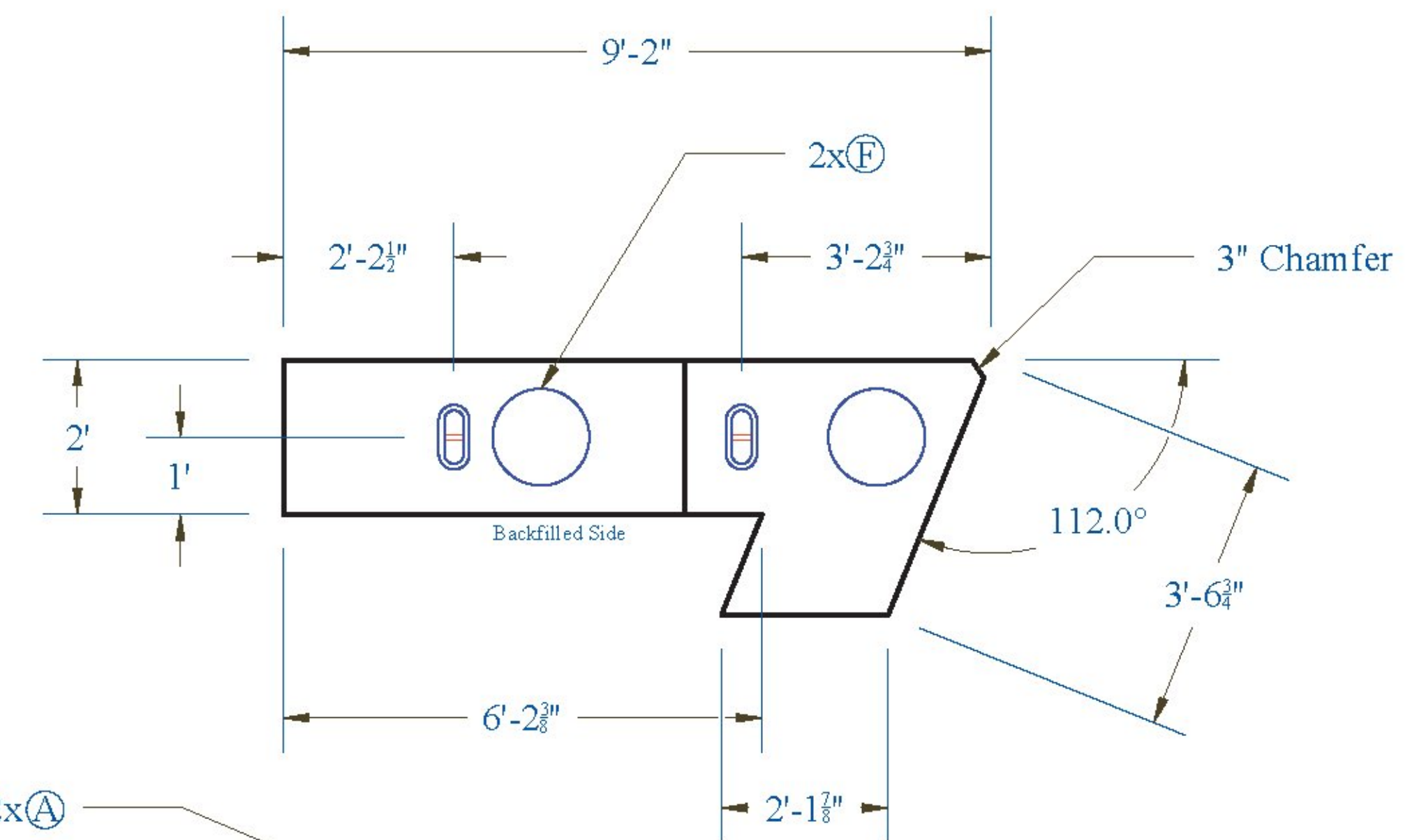
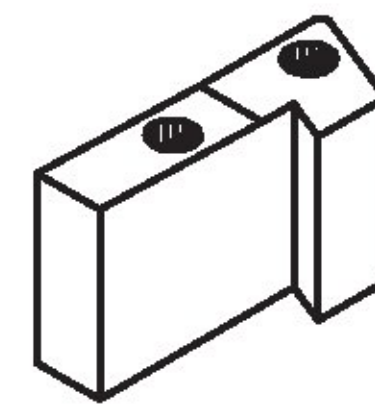
Abutment 2 Shear Key  
Detail on Sheet 20/28

**Reinforcing:**

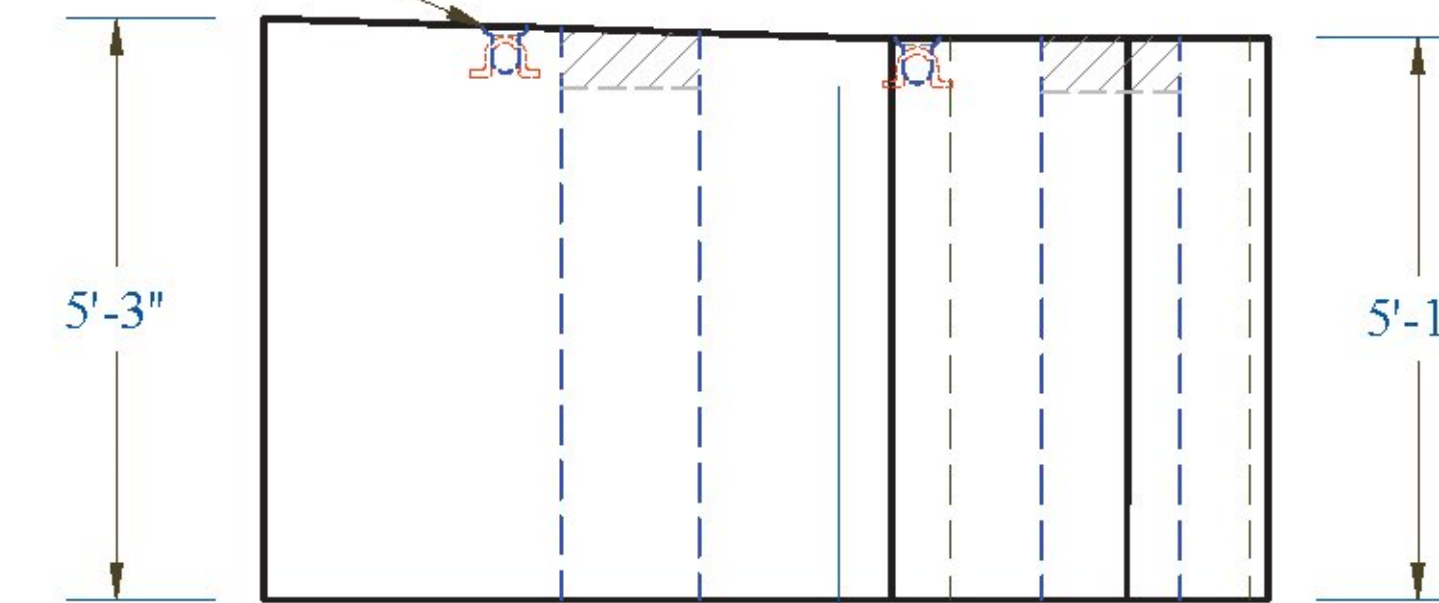


**Wingwall 4 Cap:**

Weight: 15,400 lbs

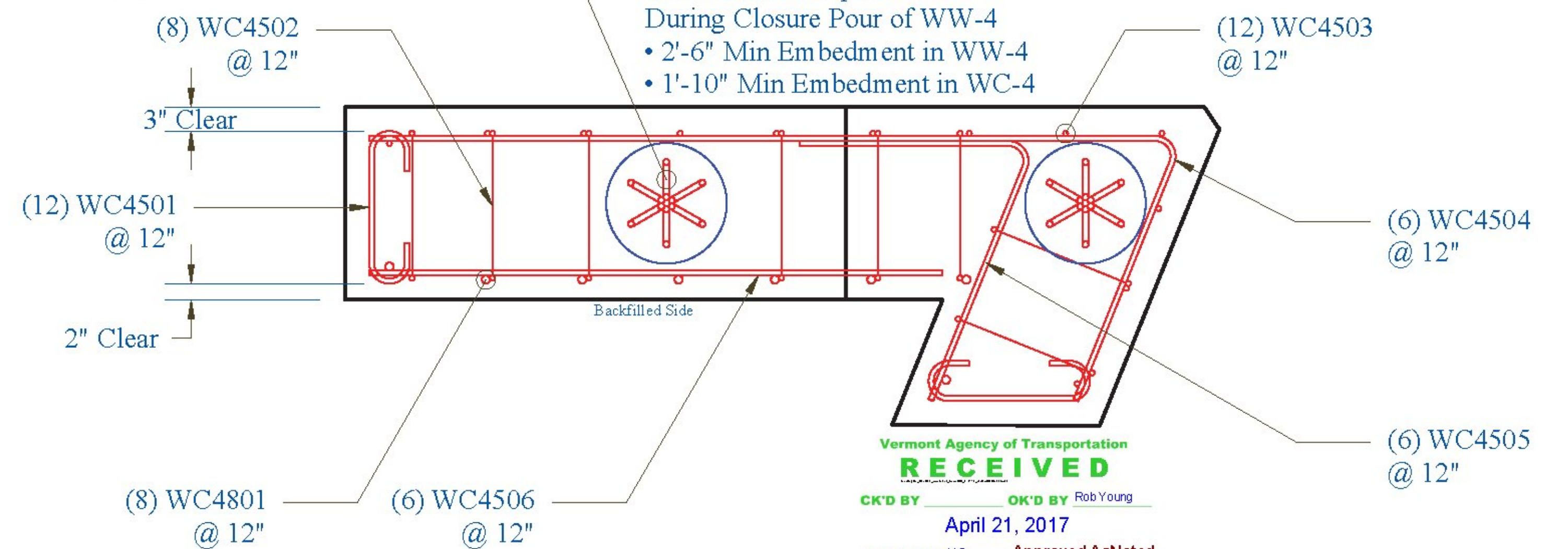


2xⓐ



(12) WC4601  
(6) Per Location  
Placed in Pile Cap Sleeve  
During Closure Pour of WW-4  
• 2'-6" Min Embedment in WW-4  
• 1'-10" Min Embedment in WC-4

**Reinforcing:**



Vermont Agency of Transportation  
**RECEIVED**

CK'D BY \_\_\_\_\_ OK'D BY Rob Young

April 21, 2017

RESUBMIT NO \_\_\_\_\_ Approved AsNoted  
BY Rob Young DATE 04/28/2017

**CONTRACTORS VISPE:**

**LEGEND:**

- ⓐ Oxford A750-7      Ⓞ 3" Pipe      Ⓢ Ⓢ 3" x 24" Plastic Corrugated Sleeve
- ⓑ P52:20T x 10" Lift      Ⓟ Ⓢ 24" Galv. Corrugated Steel Pipe      Ⓣ P53 Lift w/ Tension Bar
- ⓒ 4" Pipe      Ⓠ Ⓢ 15" Galv. Corrugated Steel Pipe      Ⓤ 1" Chamfer

**PRECAST CONCRETE ABUTMENT SHOP DRAWINGS (SDI JOB #18544)**

SUPERVISOR: E. Barendse  
 DETAILER: I. ADAMS  
 CHECKER: E. Barendse  
 ENGINEER: CONCRETE ENG. SOLUTIONS

PROJ. NAME: HUNTINGTON  
 PROJECT #: BF 0211(32)  
 LOCATION: HUNTINGTON, VT

INSTALLER:  
 S.D. IRELAND CONCRETE  
 WILLISTON, VT 05495  
 Ph: (802) 863-6222  
 04/20/17

FABRICATOR:  
 193 INDUSTRIAL AVE.  
 WILLISTON, VT 05495  
 Ph: (802) 863-6222  
 WINGWALL\_4\_AND\_WINGWALL\_4\_CAP

