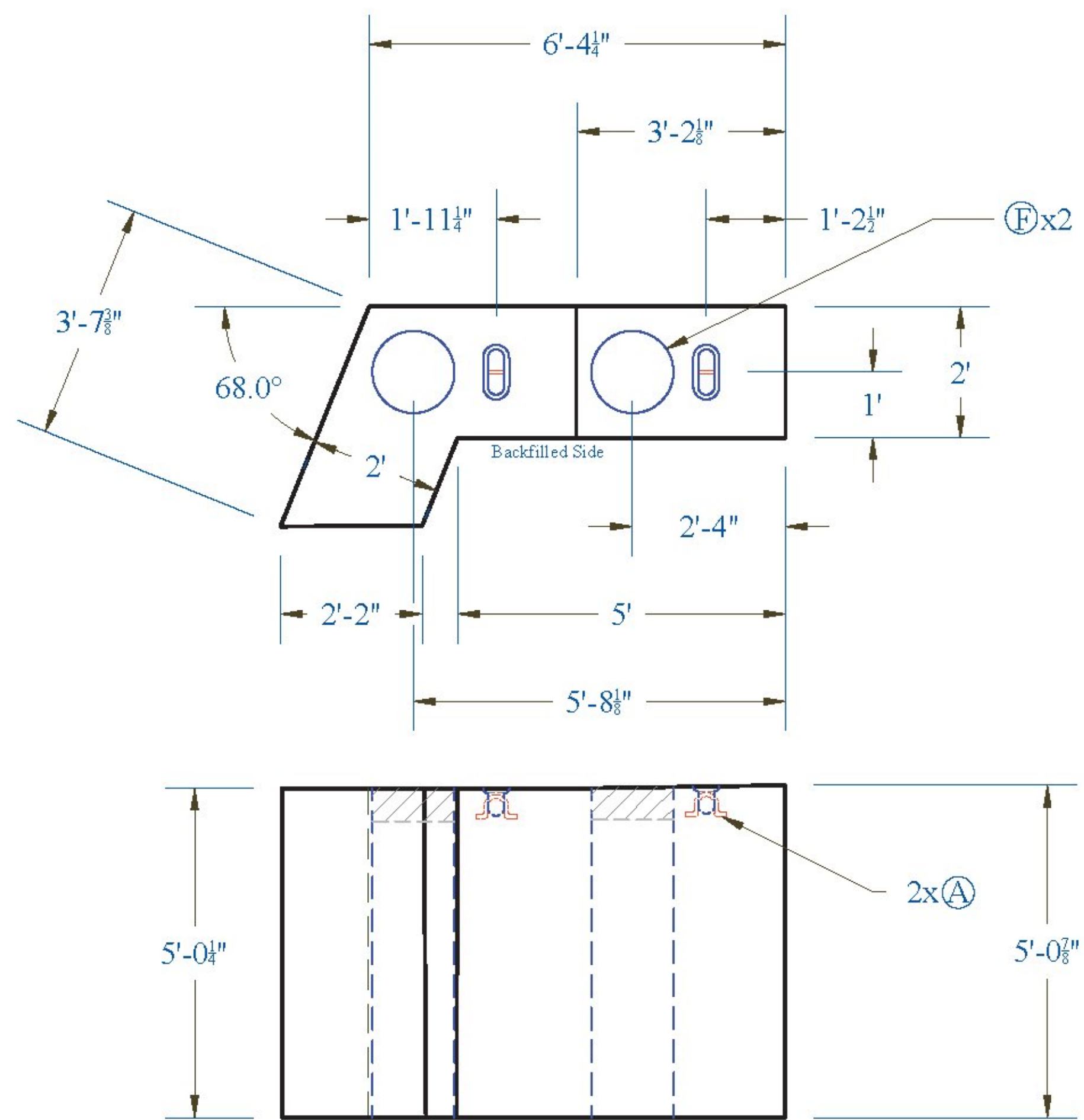
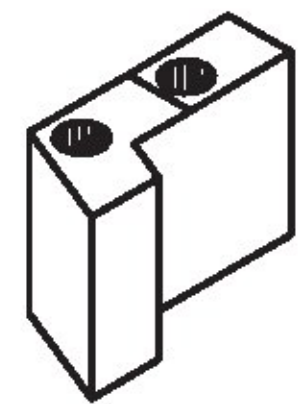
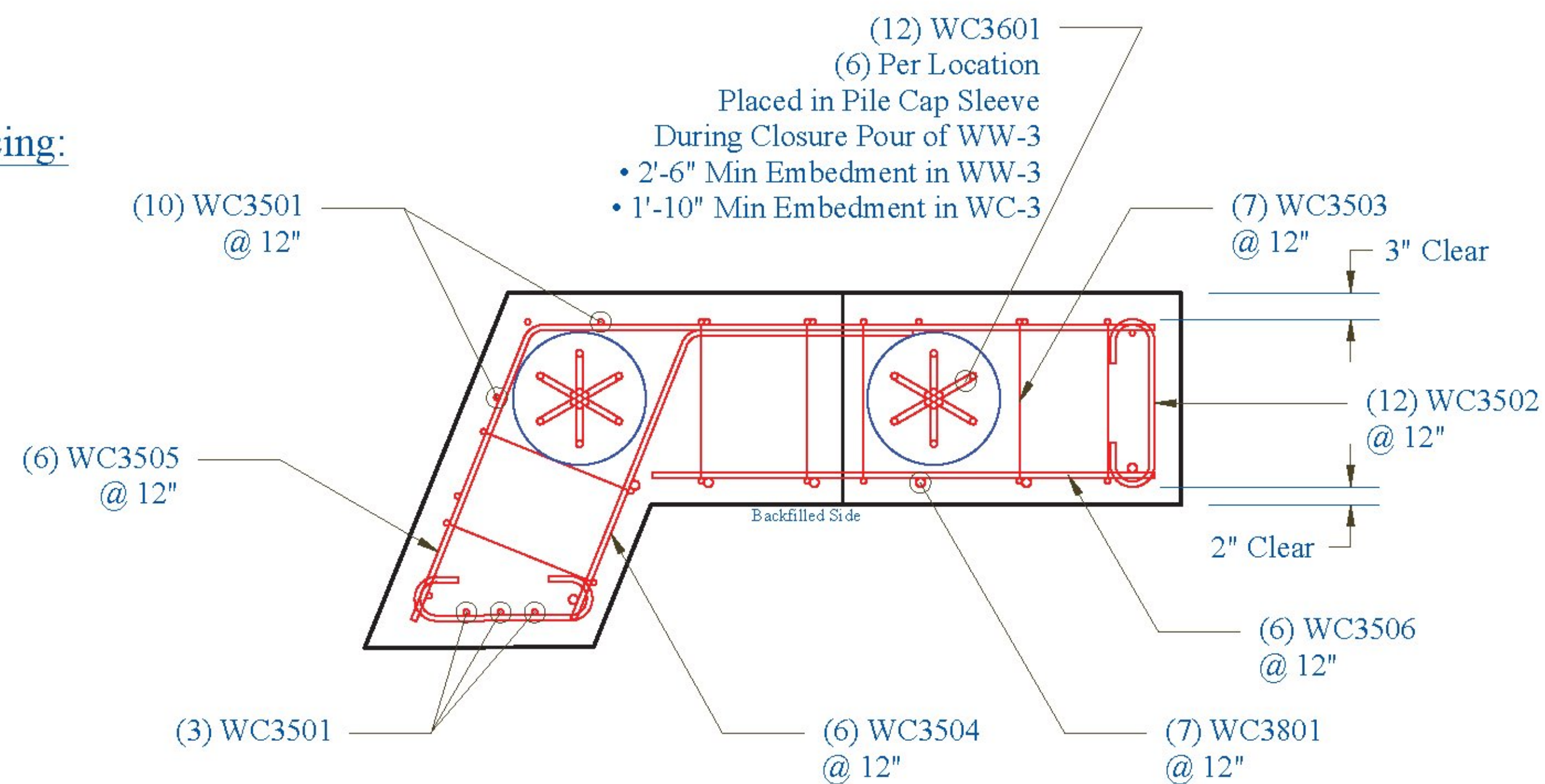


**Wingwall 3 Cap:**

Weight: 12,240 lbs

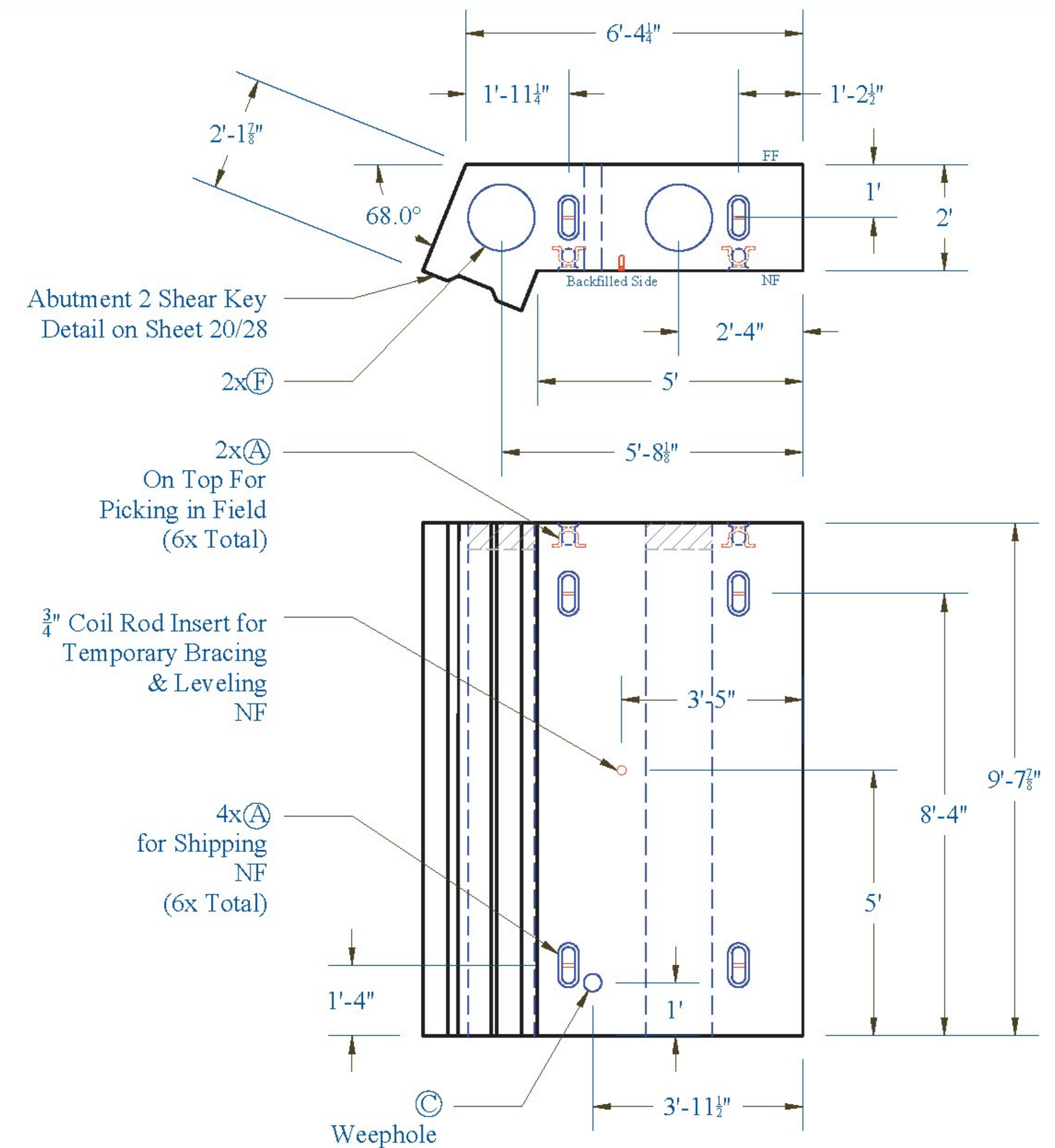
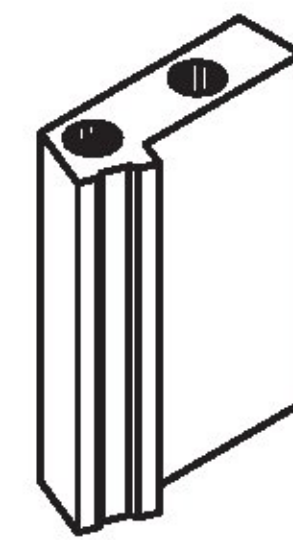


**Reinforcing:**

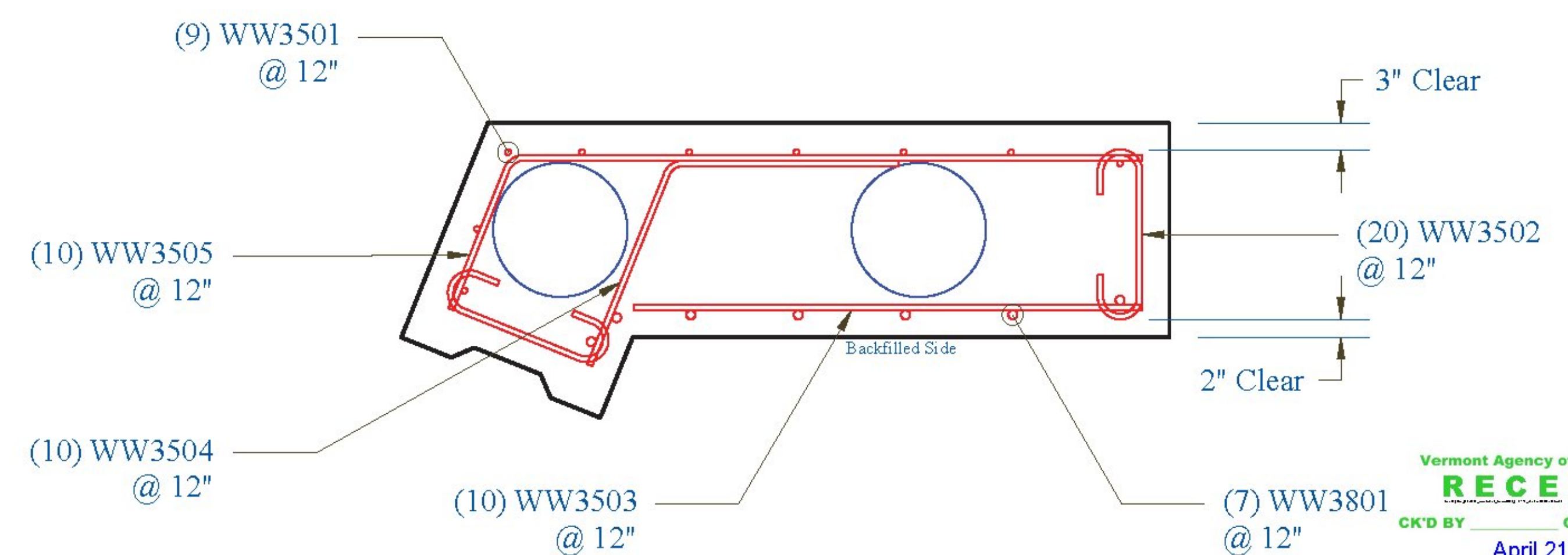


**Wingwall 3:**

Weight: 16,760 lbs



**Reinforcing:**



Vermont Agency of Transportation  
**RECEIVED**  
 CK'D BY \_\_\_\_\_ OK'D BY Rob Young  
 April 21, 2017  
 RESUBMIT NO \_\_\_\_\_ Approved AsNoted  
 BY Rob Young DATE 04/28/2017

**CONTRACTORS VISPE:**

**LEGEND:**

(A) Oxford A750-7	(D) 3" Pipe	(G) Ø 3" x 24" Plastic Corrugated Sleeve
(B) P52:20T x 10" Lift	(E) Ø 24" Galv. Corrugated Steel Pipe	(H) P53 Lift w/ Tension Bar
(C) 4" Pipe	(F) Ø 15" Galv. Corrugated Steel Pipe	(I) 1" Chamfer

<b>PRECAST CONCRETE ABUTMENT SHOP DRAWINGS (SDI JOB #18544)</b>		<b>INSTALLER:</b>	<b>FABRICATOR:</b>
<b>SUPERVISOR:</b> E. Barendse	<b>PROJ. NAME:</b> HUNTINGTON	S.D. IRELAND CONCRETE	193 INDUSTRIAL AVE.
<b>DETAILER:</b> I. ADAMS	<b>PROJECT #:</b> BF 0211(32)	WILLISTON, VT 05495	WILLISTON, VT 05495
<b>CHECKER:</b> E. Barendse	<b>LOCATION:</b> HUNTINGTON, VT	Ph: (802) 863-6222	Ph: (802) 863-6222
<b>ENGINEER:</b> CONCRETE ENG. SOLUTIONS		04/20/17	SD Ireland PRECAST
			WINGWALL_3_AND_WINGWALL_3_CAP
			16/29