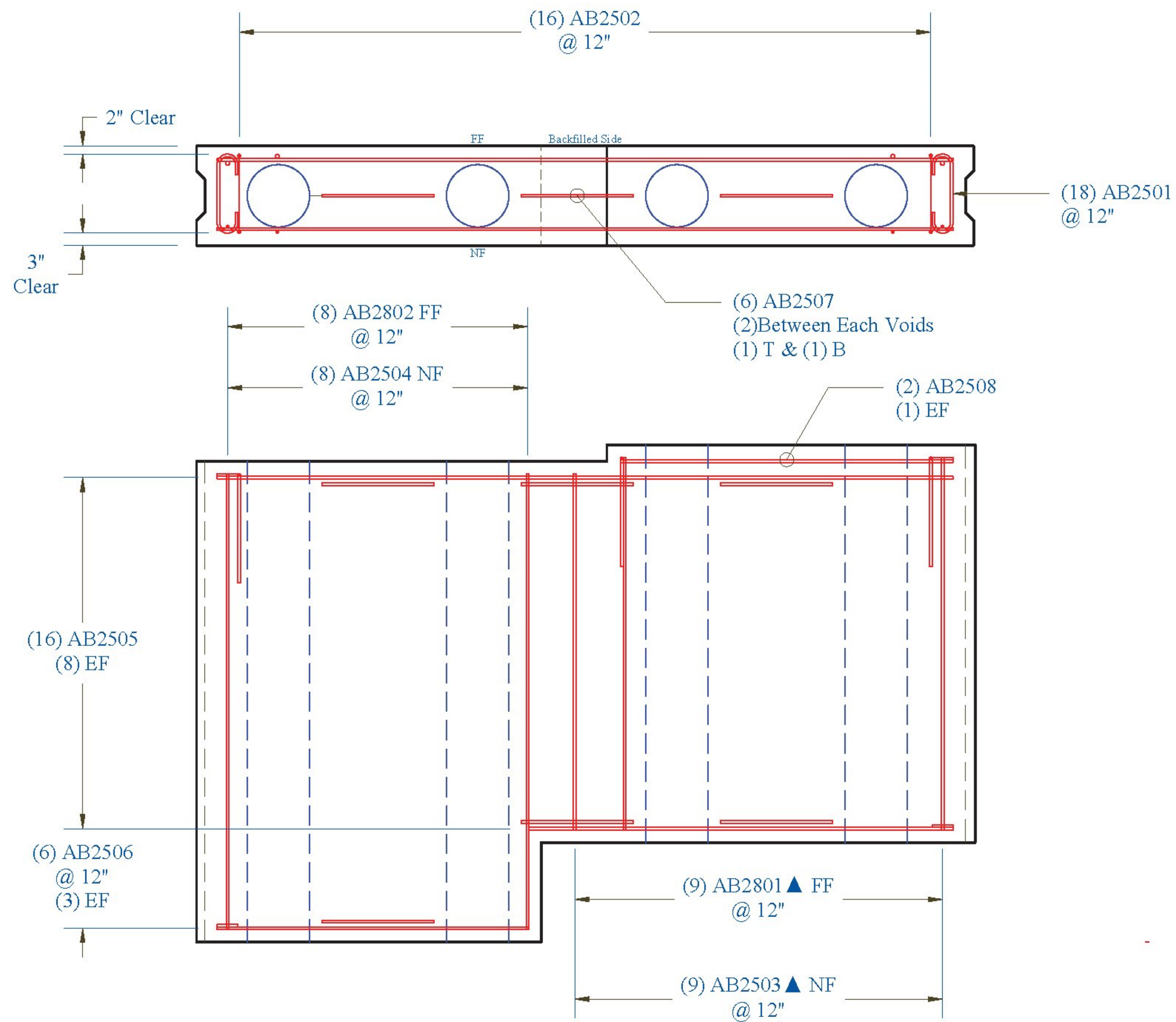
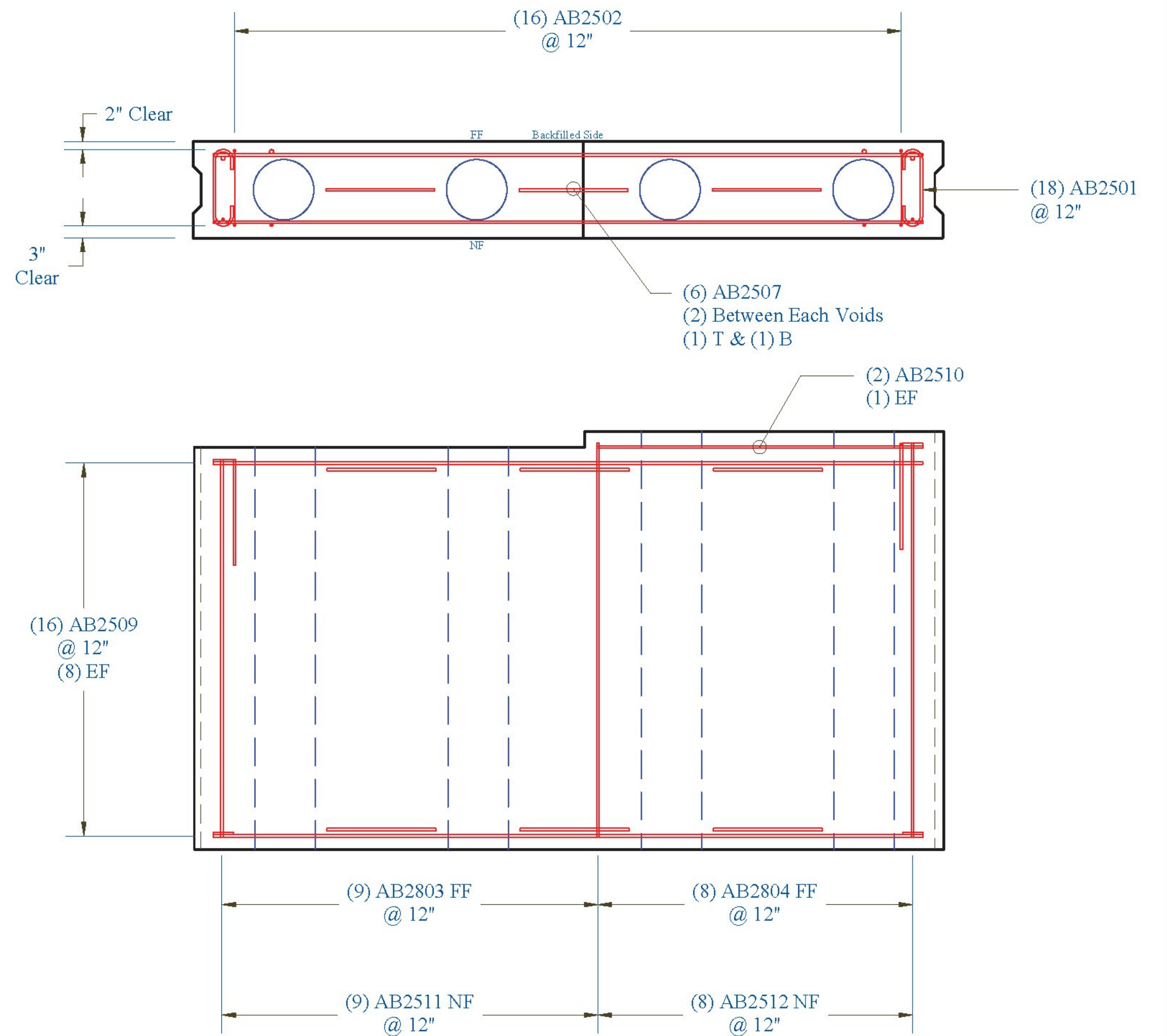


Abutment 2 Stem A: Reinforcing



Abutment 2 Stem B: Reinforcing



Vermont Agency of Transportation
RECEIVED
 CK'D BY _____ OK'D BY Rob Young
 April 21, 2017
 RESUBMIT NO _____ Approved AsNoted
 BY Rob Young DATE 04/28/2017

CONTRACTORS VISPE:

LEGEND:

- (A) Oxford A750-7 (D) 3" Pipe (G) Ø 3" x 24" Plastic Corrugated Sleeve
- (B) P52:20T x 10" Lift (E) Ø 24" Galv. Corrugated Steel Pipe (H) P53 Lift w/ Tension Bar
- (C) 4" Pipe (F) Ø 15" Galv. Corrugated Steel Pipe (I) 1" Chamfer

PRECAST CONCRETE ABUTMENT SHOP DRAWINGS (SDI JOB #18544)

SUPERVISOR: E. Barendse
 DETAILER: I. ADAMS
 CHECKER: E. Barendse
 ENGINEER: CONCRETE ENG. SOLUTIONS

PROJ. NAME: HUNTINGTON
 PROJECT #: BF 0211(32)
 LOCATION: HUNTINGTON, VT

INSTALLER:
 S.D. IRELAND CONCRETE
 WILLISTON, VT 05495
 Ph: (802) 863-6222
 04/20/17

FABRICATOR:
 193 INDUSTRIAL AVE.
 WILLISTON, VT 05495
 Ph: (802) 863-6222
 ABUTMENT_2_STEMS_REINFORCING

