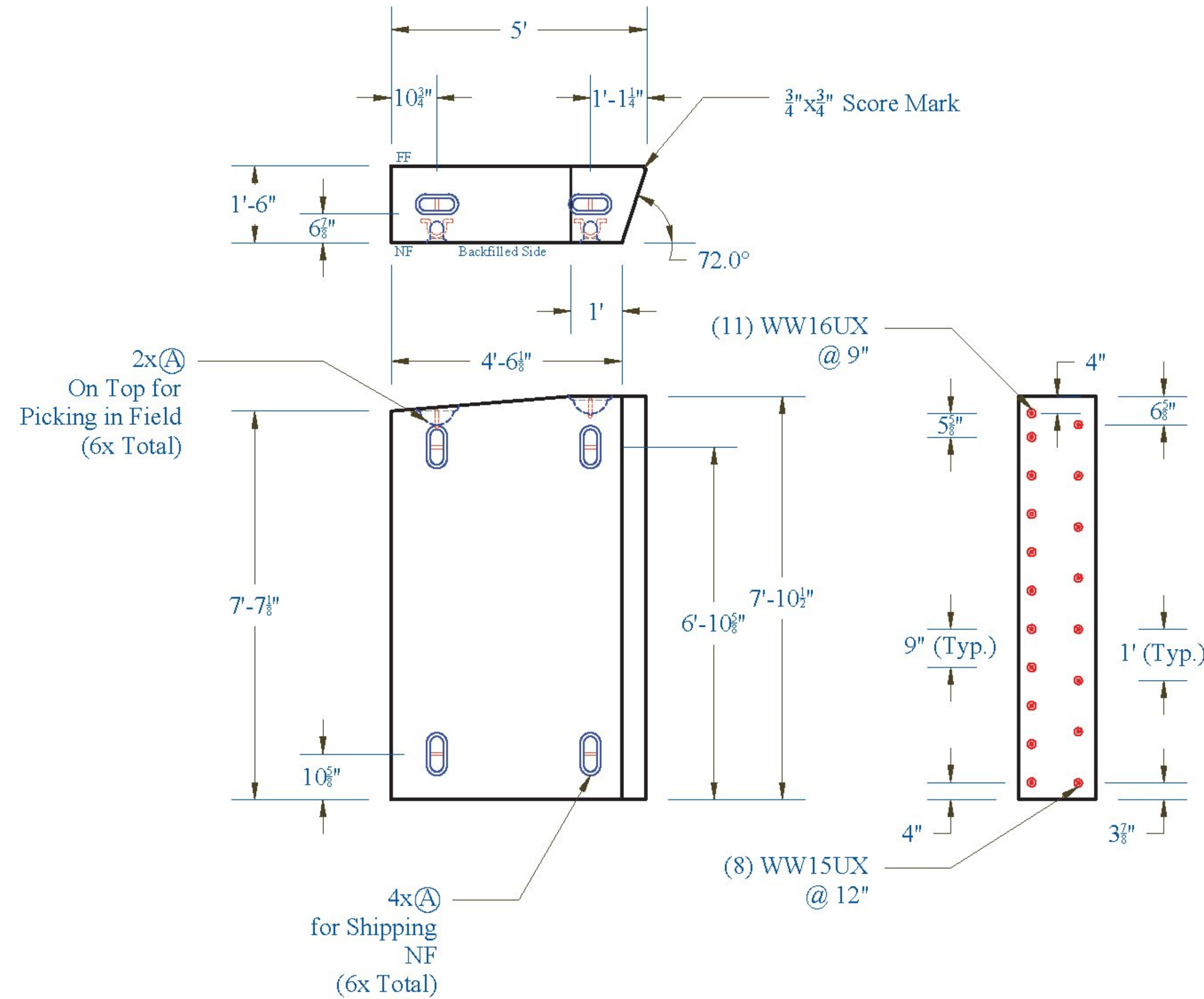
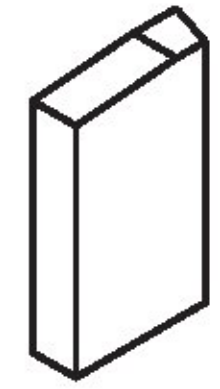
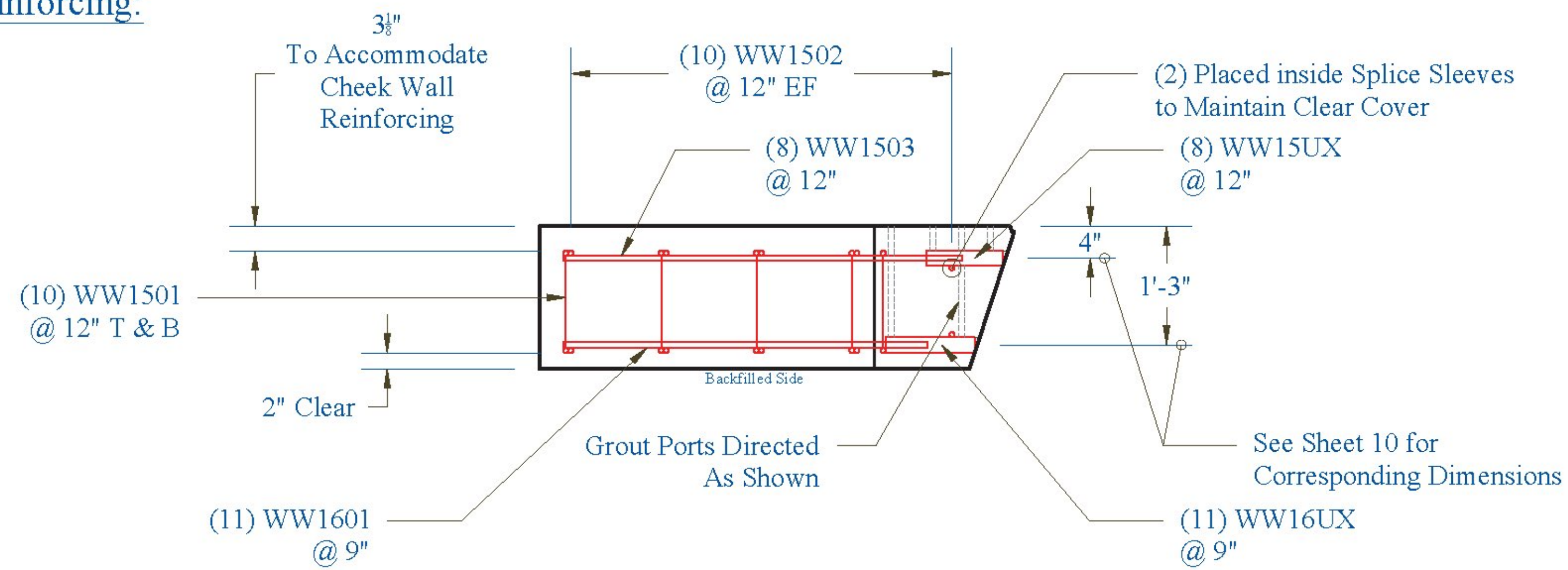


Wingwall 1:

Weight: 8,200 lbs

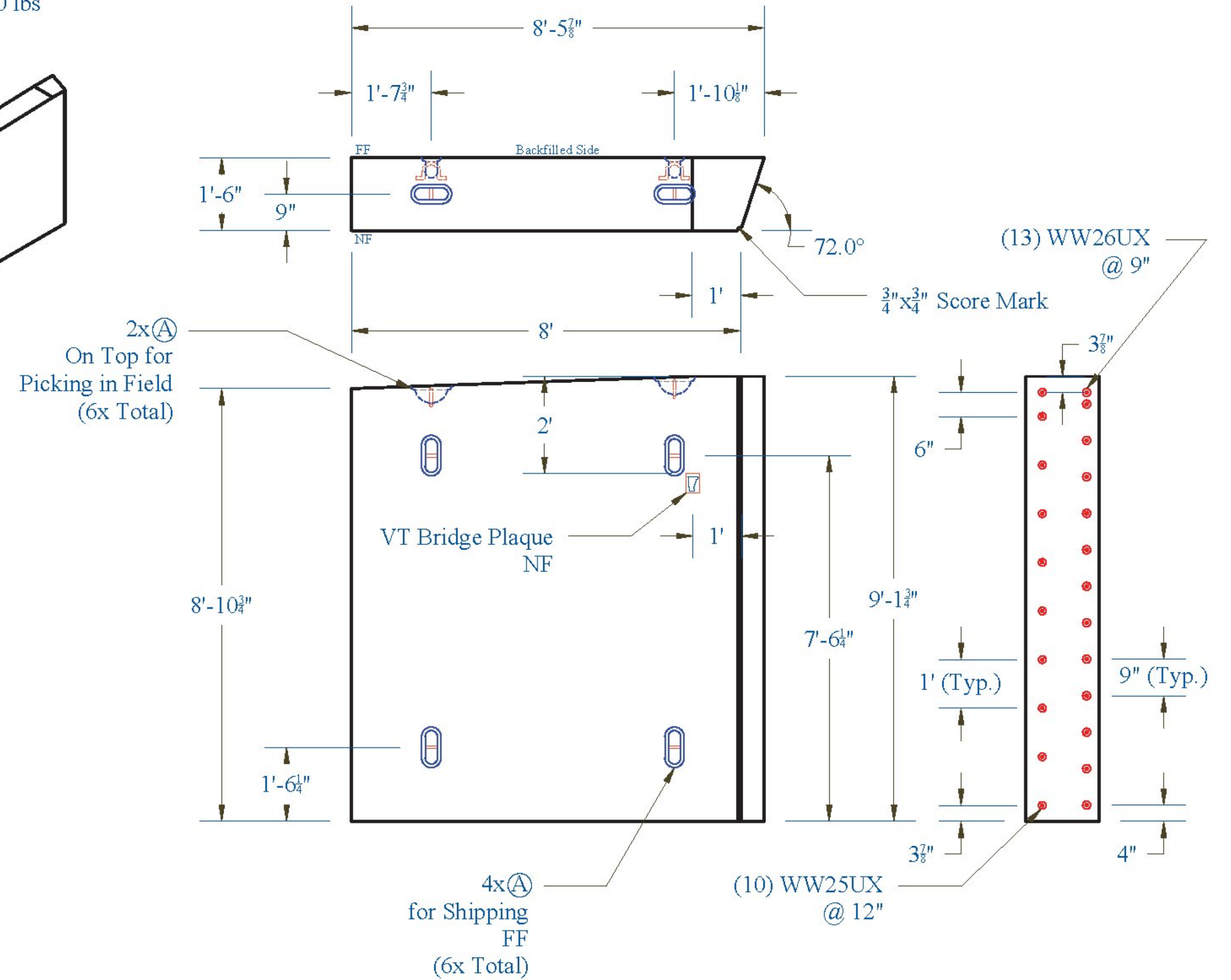
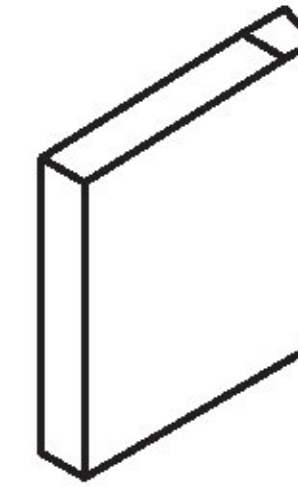


Reinforcing:

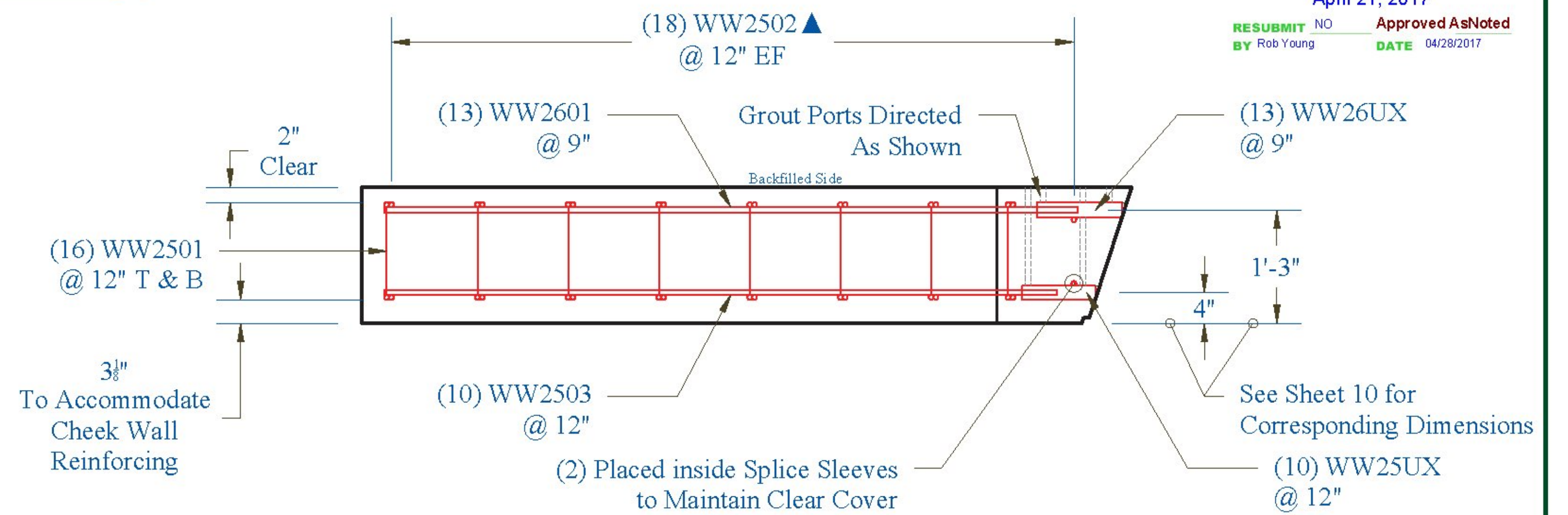


Wingwall 2:

Weight: 16,560 lbs



Reinforcing:



Vermont Agency of Transportation
RECEIVED
 CK'D BY _____ OK'D BY Rob Young
 April 21, 2017
 RESUBMIT NO _____ Approved As Noted
 BY Rob Young DATE 04/28/2017

| | | | | | |
|--------------------|--|---|--|--|---|
| CONTRACTORS VISPE: | LEGEND: (A) Oxford A750-7 (D) 3" Pipe (G) Ø 3" x 24" Plastic Corrugated Sleeve (B) P52:20T x 10" Lift (E) Ø 24" Galv. Corrugated Steel Pipe (H) P53 Lift w/ Tension Bar (C) 4" Pipe (F) Ø 15" Galv. Corrugated Steel Pipe (I) 1" Chamfer | PRECAST CONCRETE ABUTMENT SHOP DRAWINGS (SDI JOB #18544) SUPERVISOR: E. Barendse PROJ. NAME: HUNTINGTON DETAILER: I. ADAMS PROJECT #: BF 0211(32) CHECKER: E. Barendse LOCATION: HUNTINGTON, VT ENGINEER: CONCRETE ENG. SOLUTIONS | | INSTALLER: S.D. IRELAND CONCRETE WILLISTON, VT 05495 Ph: (802) 863-6222 04/20/17 | FABRICATOR: 193 INDUSTRIAL AVE. WILLISTON, VT 05495 Ph: (802) 863-6222 WINGWALL_1_&_2 9/29 |
| | | | | | |