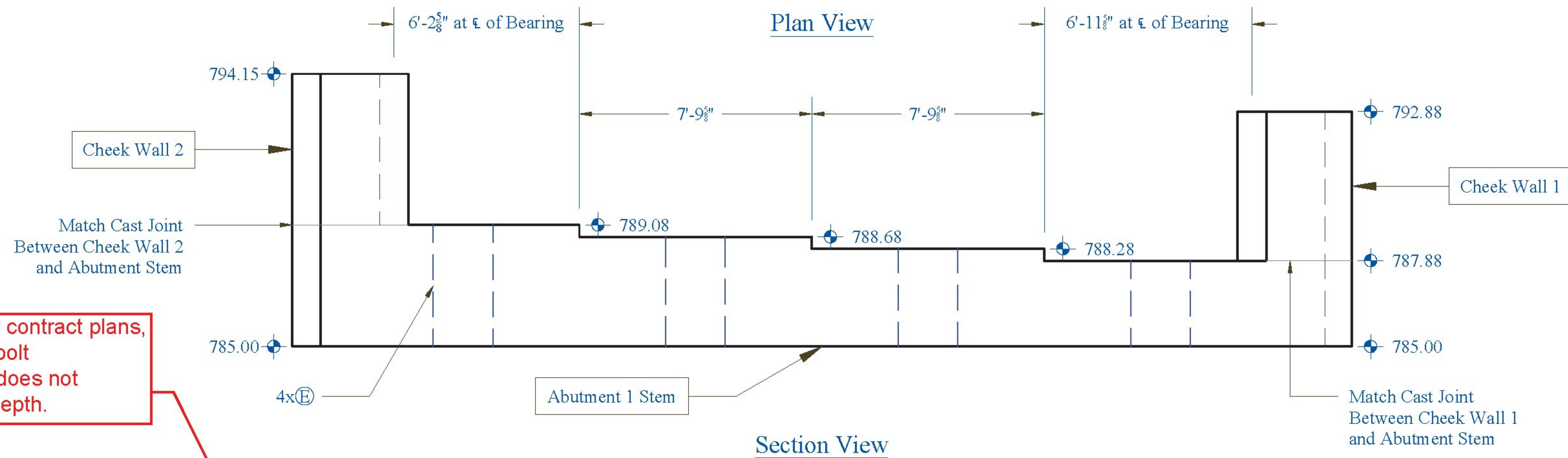
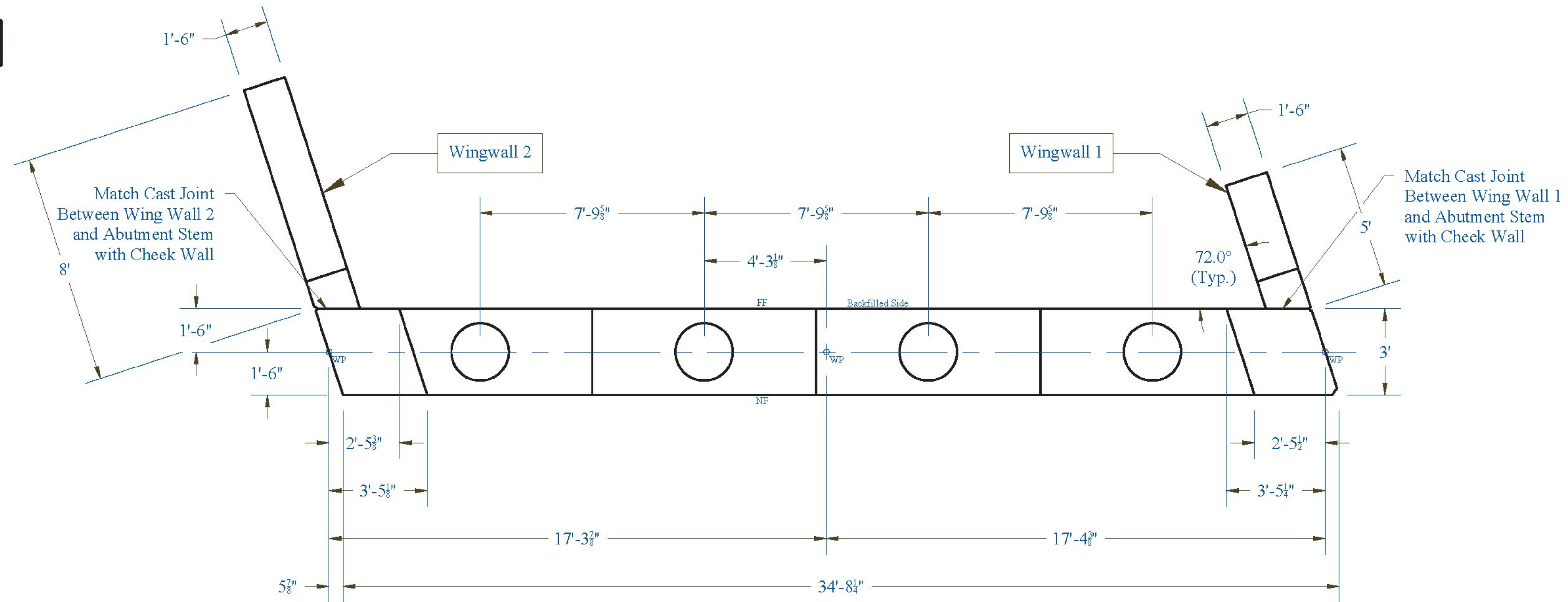
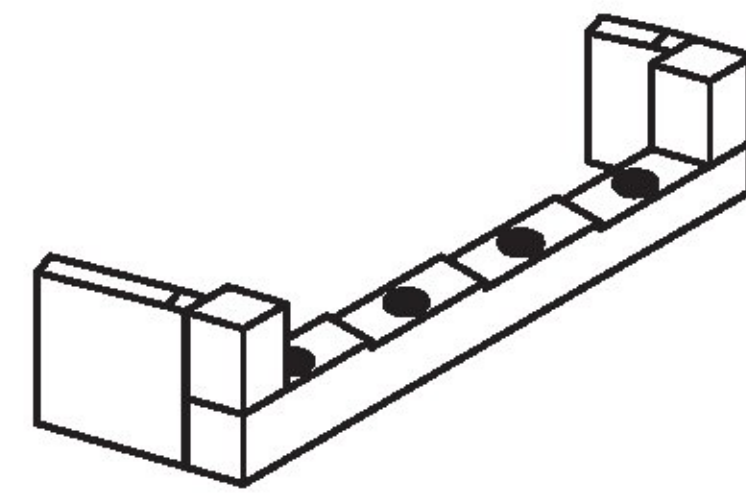


Abutment 1: Overview



Note that per contract plans, min. anchor bolt embedment does not require this depth.

Vermont Agency of Transportation  
**RECEIVED**  
 CK'D BY \_\_\_\_\_ OK'D BY Rob Young  
 April 21, 2017  
 RESUBMIT NO \_\_\_\_\_ Approved AsNoted  
 BY Rob Young DATE 04/28/2017

CONTRACTORS VISPE:	<b>LEGEND:</b> ⓐ Oxford A750-7      ⓓ 3" Pipe ⓑ P52:20T x 10" Lift      ⓔ Ⓞ 24" Galv. Corrugated Steel Pipe      ⓕ P53 Lift w/ Tension Bar ⓒ 4" Pipe      ⓖ Ⓞ 15" Galv. Corrugated Steel Pipe      ⓓ 1" Chamfer	PRECAST CONCRETE ABUTMENT SHOP DRAWINGS (SDI JOB #18544)		INSTALLER: S.D. IRELAND CONCRETE WILLISTON, VT 05495 Ph: (802) 863-6222	FABRICATOR: 193 INDUSTRIAL AVE. WILLISTON, VT 05495 Ph: (802) 863-6222
		SUPERVISOR: E. Barendse DETAILER: I. ADAMS CHECKER: E. Barendse ENGINEER: CONCRETE ENG. SOLUTIONS	PROJ. NAME: HUNTINGTON PROJECT #: BF 0211(32) LOCATION: HUNTINGTON, VT	04/20/17	ABUTMENT_1_OVERVIEW

