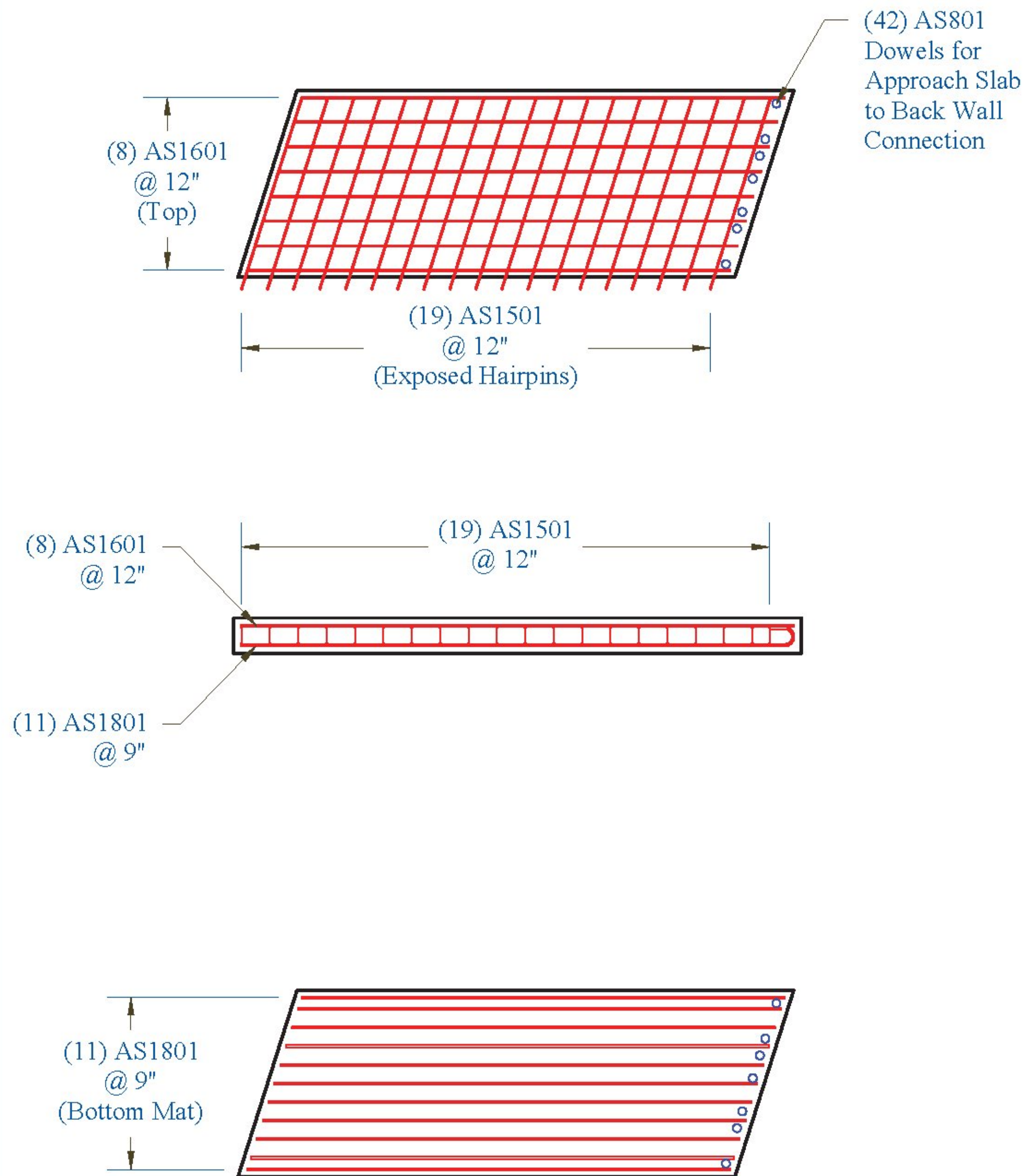


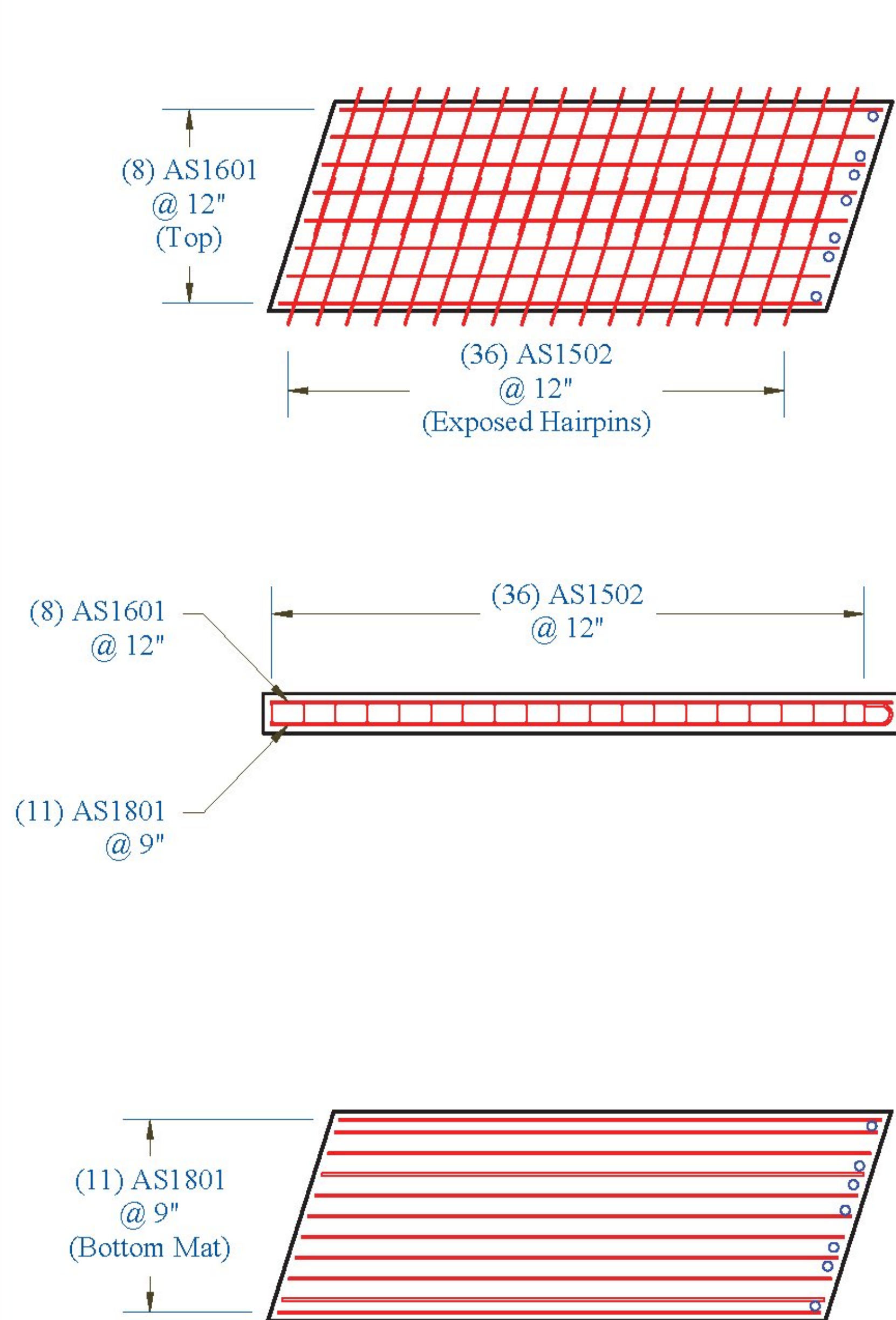
Approach Slab 1A: Reinforcing

Note: • Reinforcing 3" Clear from All Faces
• See Sheet 21 for Closure Pour Detail



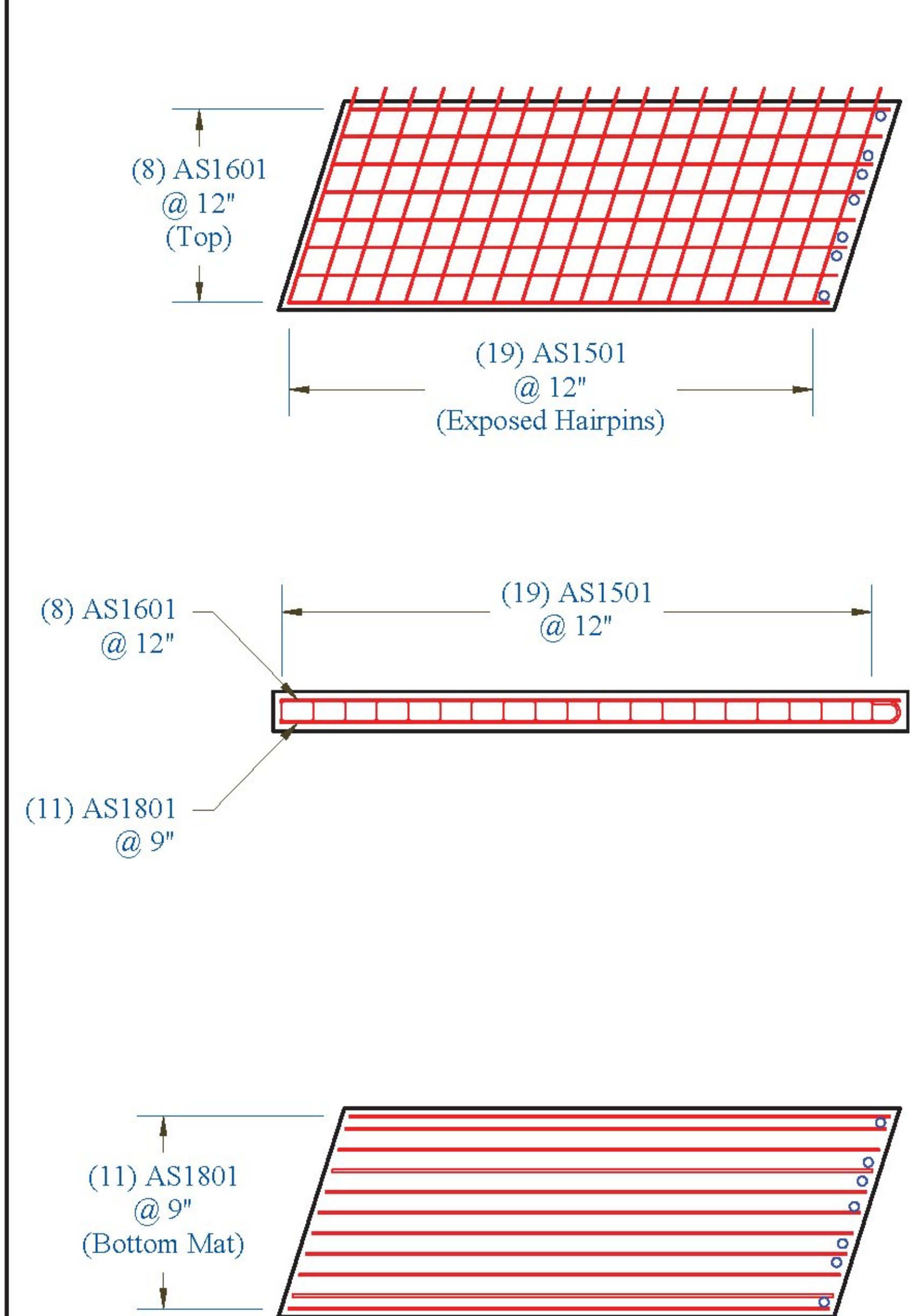
Approach Slab 1B: Reinforcing

Note: • Reinforcing 3" Clear from All Faces
• See Sheet 21 for Closure Pour Detail



Approach Slab 1C: Reinforcing

Note: • Reinforcing 3" Clear from All Faces
• See Sheet 21 for Closure Pour Detail



Vermont Agency of Transportation
RECEIVED
CK'D BY: Rob Young
OK'D BY: Rob Young
April 21, 2017
RESUBMIT NO: Approved AsNoted
BY: Rob Young DATE: 04/28/2017

CONTRACTORS VISPE:

- LEGEND:**
- (A) Oxford A750-7
 - (B) P52:20T x 10" Lift
 - (C) 4" Pipe
 - (D) 3" Pipe
 - (E) Ø 24" Galv. Corrugated Steel Pipe
 - (F) Ø 15" Galv. Corrugated Steel Pipe
 - (G) Ø 3" x 24" Plastic Corrugated Sleeve
 - (H) P53 Lift w/ Tension Bar
 - (I) 1" Chamfer

PRECAST CONCRETE ABUTMENT SHOP DRAWINGS (SDI JOB #18544)

SUPERVISOR: E. Barendse
 DETAILER: I. ADAMS
 CHECKER: E. Barendse
 ENGINEER: CONCRETE ENG. SOLUTIONS

PROJ. NAME: HUNTINGTON
 PROJECT #: BF 0211(32)
 LOCATION: HUNTINGTON, VT

INSTALLER:
 S.D. IRELAND CONCRETE
 WILLISTON, VT 05495
 Ph: (802) 863-6222
 04/20/17

FABRICATOR:
 193 INDUSTRIAL AVE.
 WILLISTON, VT 05495
 Ph: (802) 863-6222
 APPROACH_SLAB_1_REINFORCING

