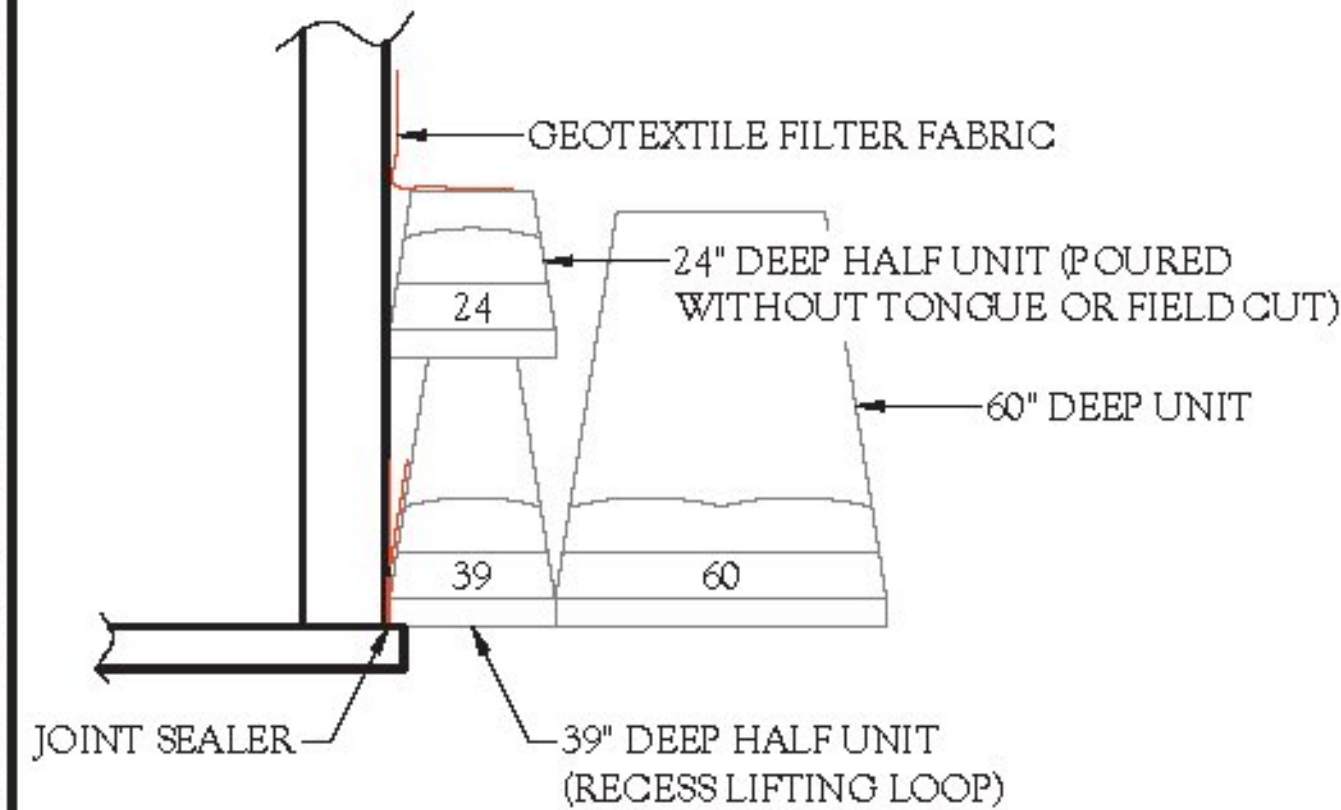


161084/4/2017 COPYRIGHT (c) 2011-2016 BY CIVIL DESIGN PROFESSIONALS. THIS DRAWING IS BEING FURNISHED FOR THIS SPECIFIC PROJECT ONLY. COPY AND/OR REUSE WITHOUT THE CONSENT OF CIVIL DESIGN PROFESSIONALS IS PROHIBITED.

NOTES:

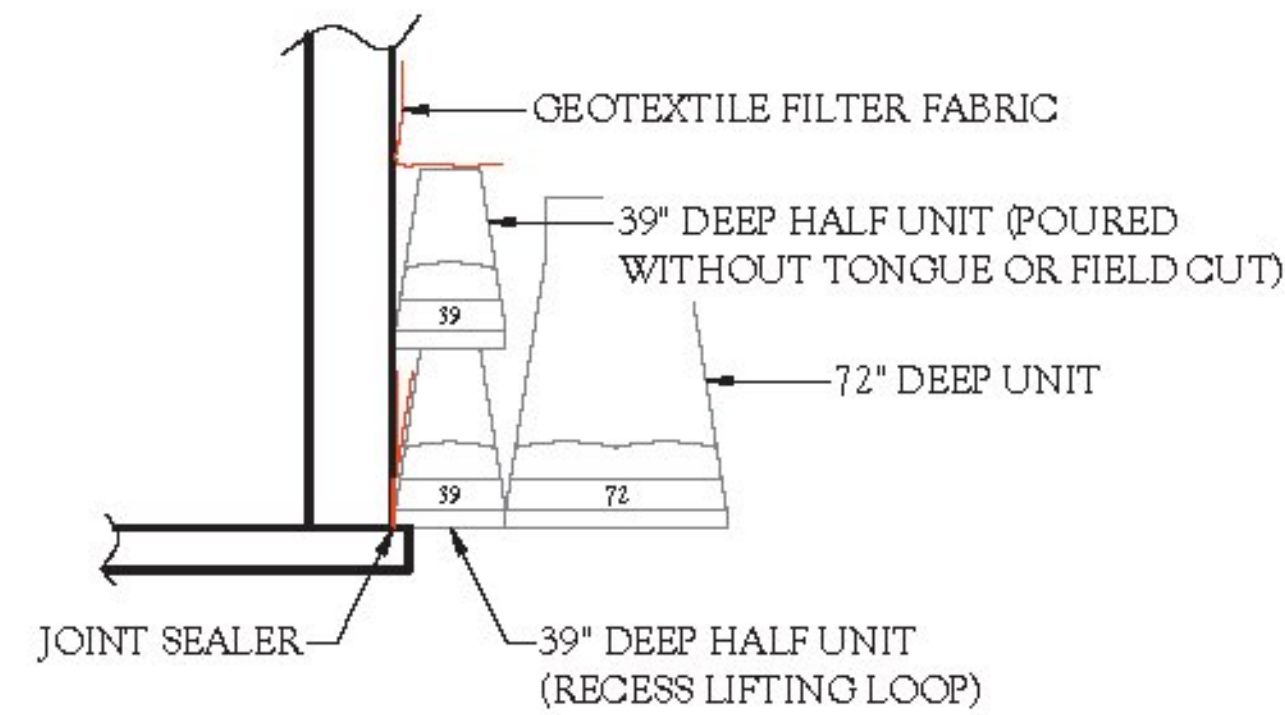
1. WHEN DOUBLE STACKING HALF UNITS, THE FRONT BLOCK SHALL BE CAST WITH THE REAR LIFTING LOOP RECESSED.
2. THE REAR BLOCK SHALL BE CAST WITHOUT A TONGUE IF THE TONGUE WILL PREVENT THE BLOCK PLACED ABOVE THE DOUBLE STACK FROM RESTING ON A LEVEL SURFACE.
3. A GEOTEXTILE FABRIC SHALL BE PLACED WHERE THE RETAINING WALLS ABUT TO EXISTING FOUNDATIONS AS SHOWN ON THE RETAINING WALL SITE PLAN. OVERLAP ALL ABUTMENT JOINTS 24" WITH A MINIMUM 48" WIDE FABRIC.



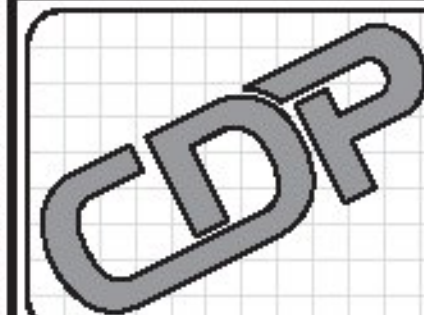
2
4.01 **DOUBLE STACKING ABUTMENT (60")**
SCALE: N.T.S.

NOTES:

1. WHEN DOUBLE STACKING HALF UNITS, THE FRONT BLOCK SHALL BE CAST WITH THE REAR LIFTING LOOP RECESSED.
2. THE REAR BLOCK SHALL BE CAST WITHOUT A TONGUE IF THE TONGUE WILL PREVENT THE BLOCK PLACED ABOVE THE DOUBLE STACK FROM RESTING ON A LEVEL SURFACE.
3. A GEOTEXTILE FABRIC SHALL BE PLACED WHERE THE RETAINING WALLS ABUT TO EXISTING FOUNDATIONS AS SHOWN ON THE RETAINING WALL SITE PLAN. OVERLAP ALL ABUTMENT JOINTS 24" WITH A MINIMUM 48" WIDE FABRIC.



3
4.01 **DOUBLE STACKING ABUTMENT (72")**
SCALE: N.T.S.



CIVIL DESIGN PROFESSIONALS
1609 LYNDALE AVENUE SOUTH, SUITE 200 BLOOMINGTON, MN 55420
PHONE: (952) 303-5742 | FAX: (763) 392-4969 | WEBSITE: WWW.CDP-INC.COM
SIC 8002200000 ENGINEERING AND ARCHITECTURAL SERVICES

No.	Date	Revision	By
1	3/6/17	PER STATE COMMENTS	JBC
2	4/4/17	PER STATE COMMENTS	JBC
3			
4			
5			
6			

Designed By: JBC	Project: HUNTINGTON BF 0211 (32) HUNTINGTON, VERMONT	Registration No: 8619
Scale: AS NOTED	Title: DETAILS (TYPICAL)	Project No: 16-1034
Date: JAN 10, 2017		Sheet No: 4.01

Vermont Agency of Transportation
Accepted as Noted
By Rob at 8:24 am, Apr 12, 2017



MICHAEL R. JOHNSON, P.E. Date: 4/4/17