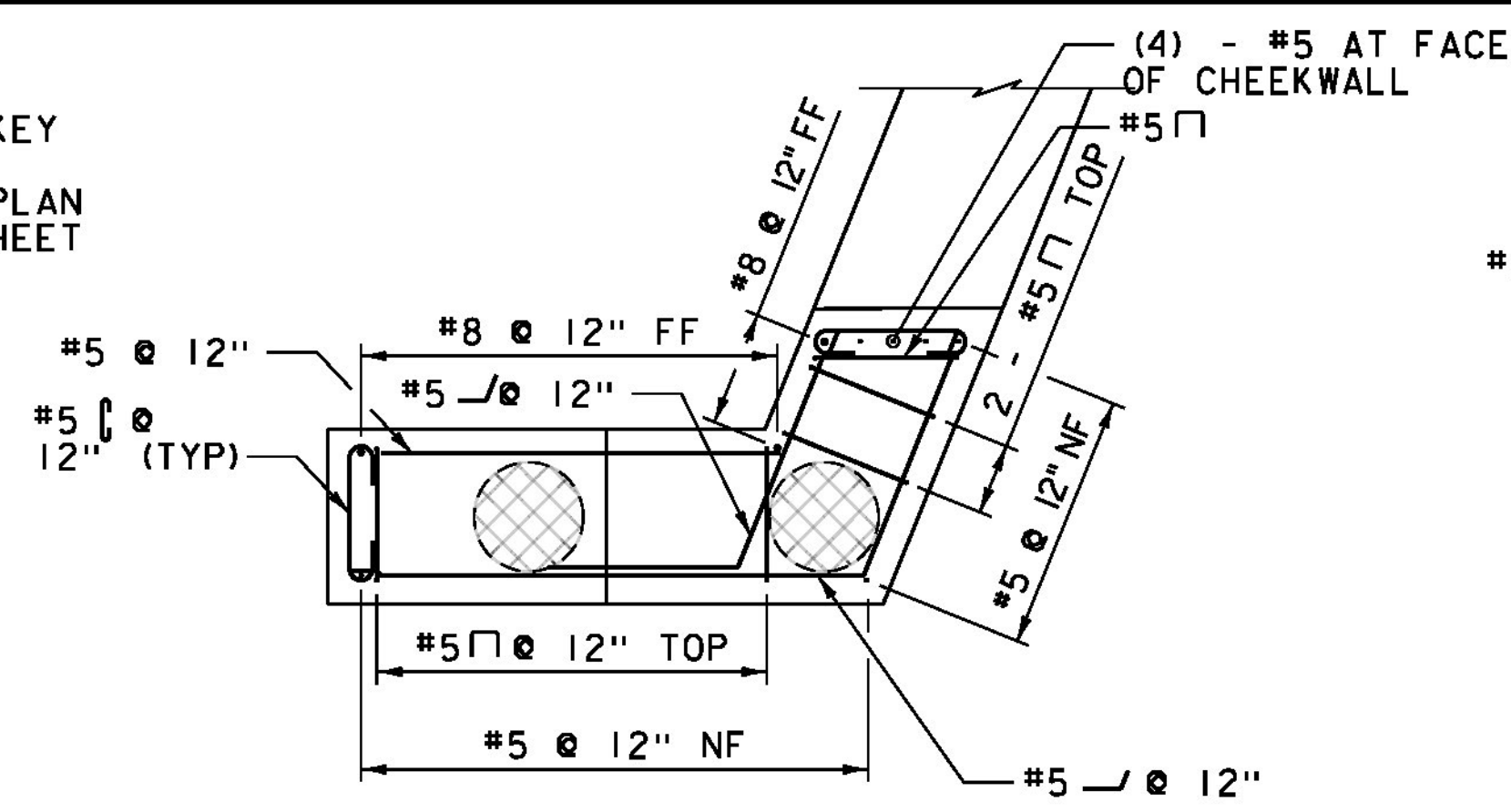
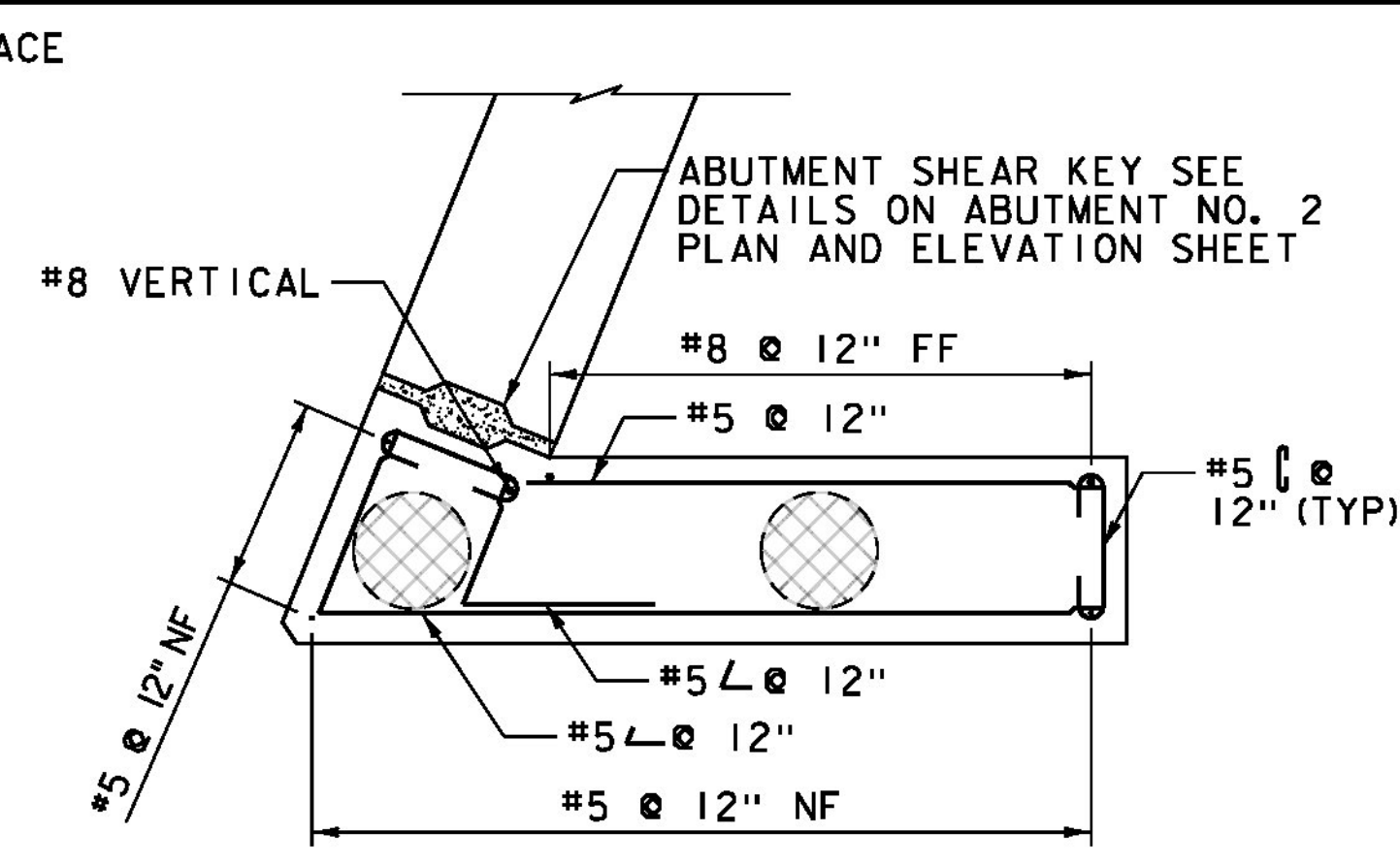


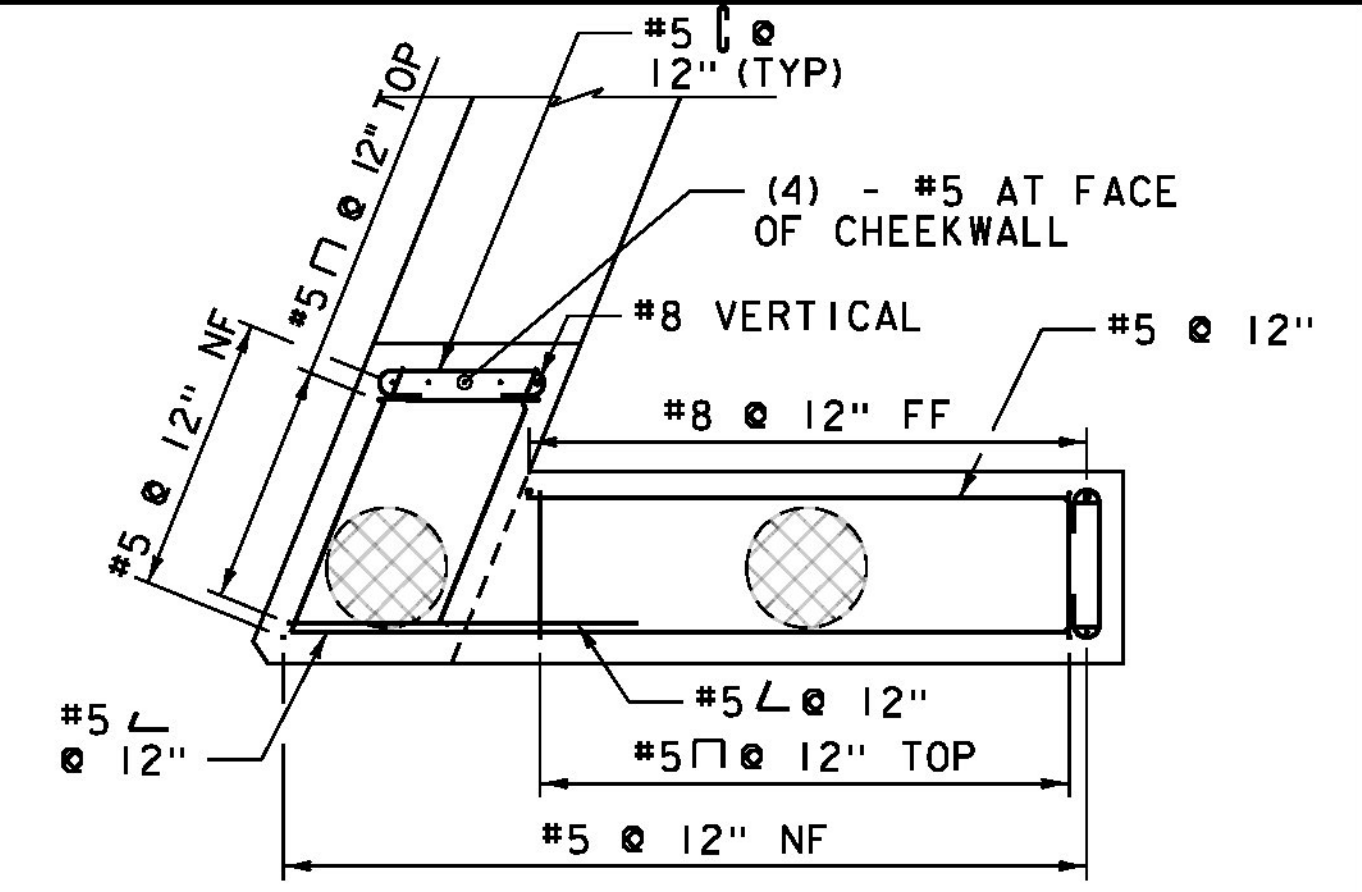
WW NO 3 REINFORCING
BELOW BRIDGE SEAT
SCALE 1/2" = 1'-0"



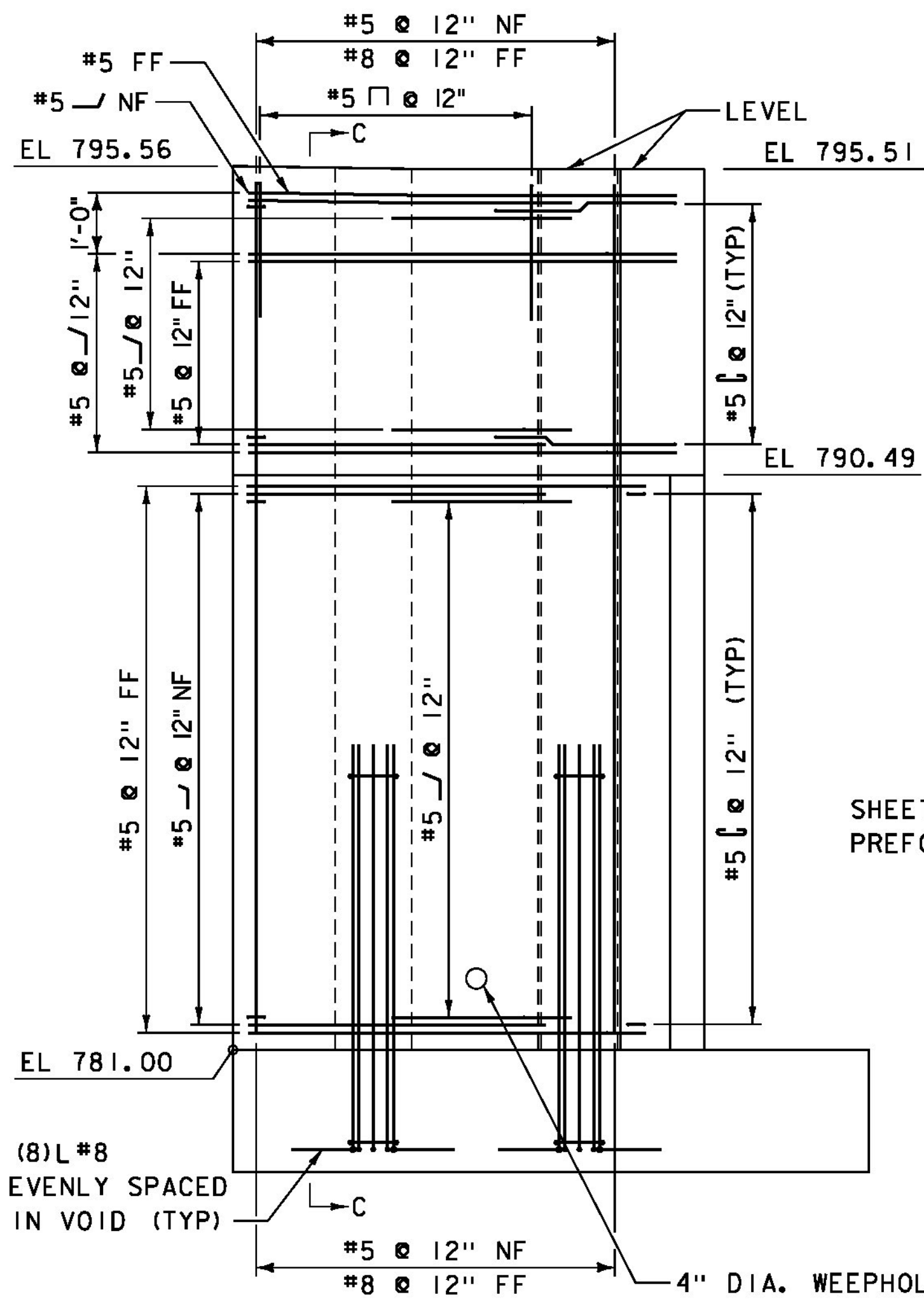
WW NO 3 REINFORCING
ABOVE BRIDGE SEAT
SCALE 1/2" = 1'-0"



WW NO 4 REINFORCING
BELOW BRIDGE SEAT
SCALE 1/2" = 1'-0"



WW NO 4 REINFORCING
ABOVE BRIDGE SEAT
SCALE 1/2" = 1'-0"



WINGWALL NO 3 ELEVATION
SCALE 1/2" = 1'-0"

NOTE:
CAST-IN-PLACE CONCRETE WINGWALL (ABOVE OPTIONAL CONSTRUCTION JOINT) SHOWN. SEE PRECAST CAP TO WALL CONNECTION DETAIL FOR PRECAST CONCRETE OPTION DETAILS.

4" DIA. WEEPHOLE
1'-0" (TYP)

SHEET MEMBRANE WATERPROOFING,
PERFORMED SHEET

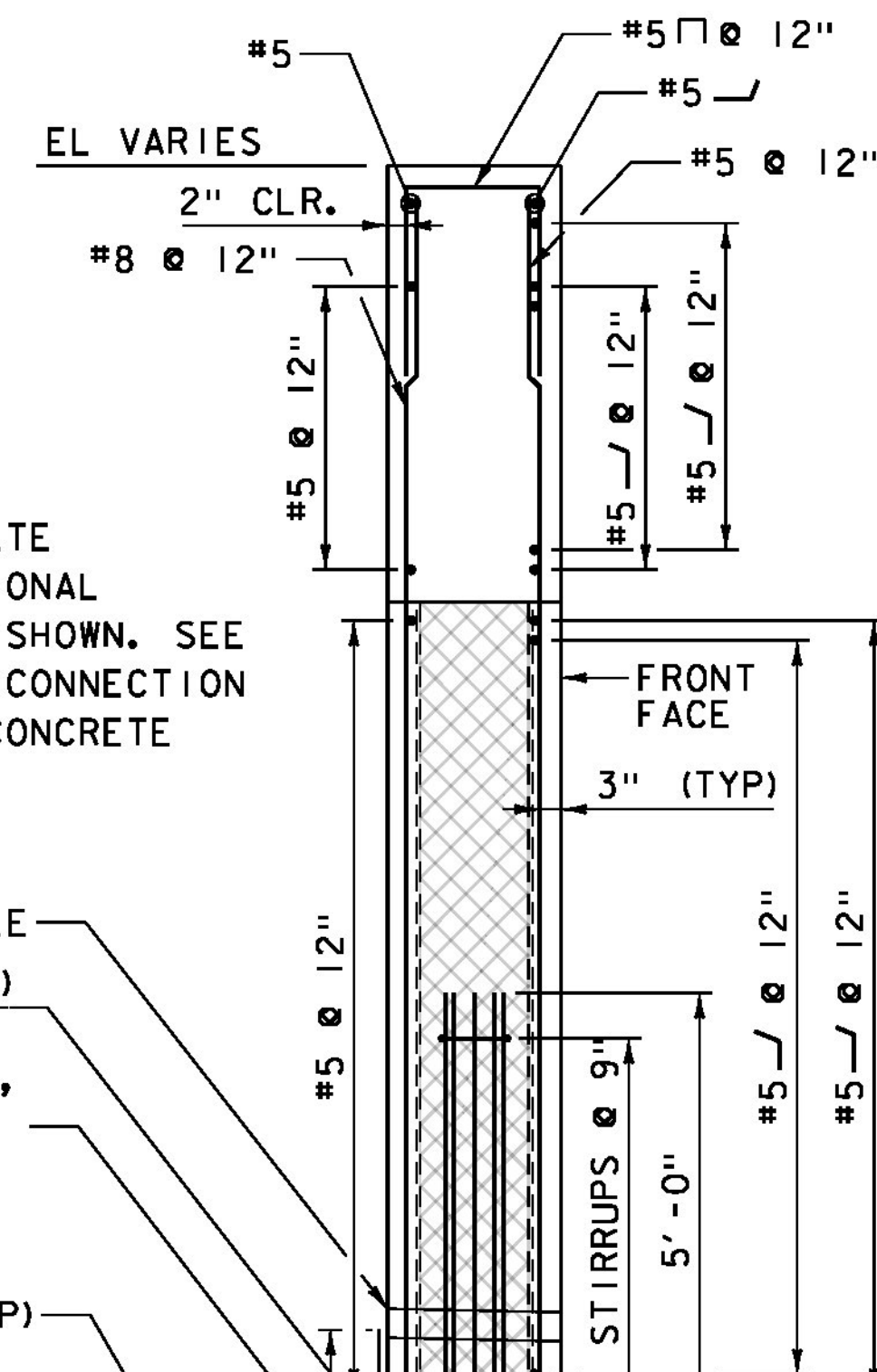
SLEEVE FOR GROUT PORT,
AND TO DRILL AND GROUT
#8 INTO SUBFOOTING (TYP)

EL 781.00 / 783.00

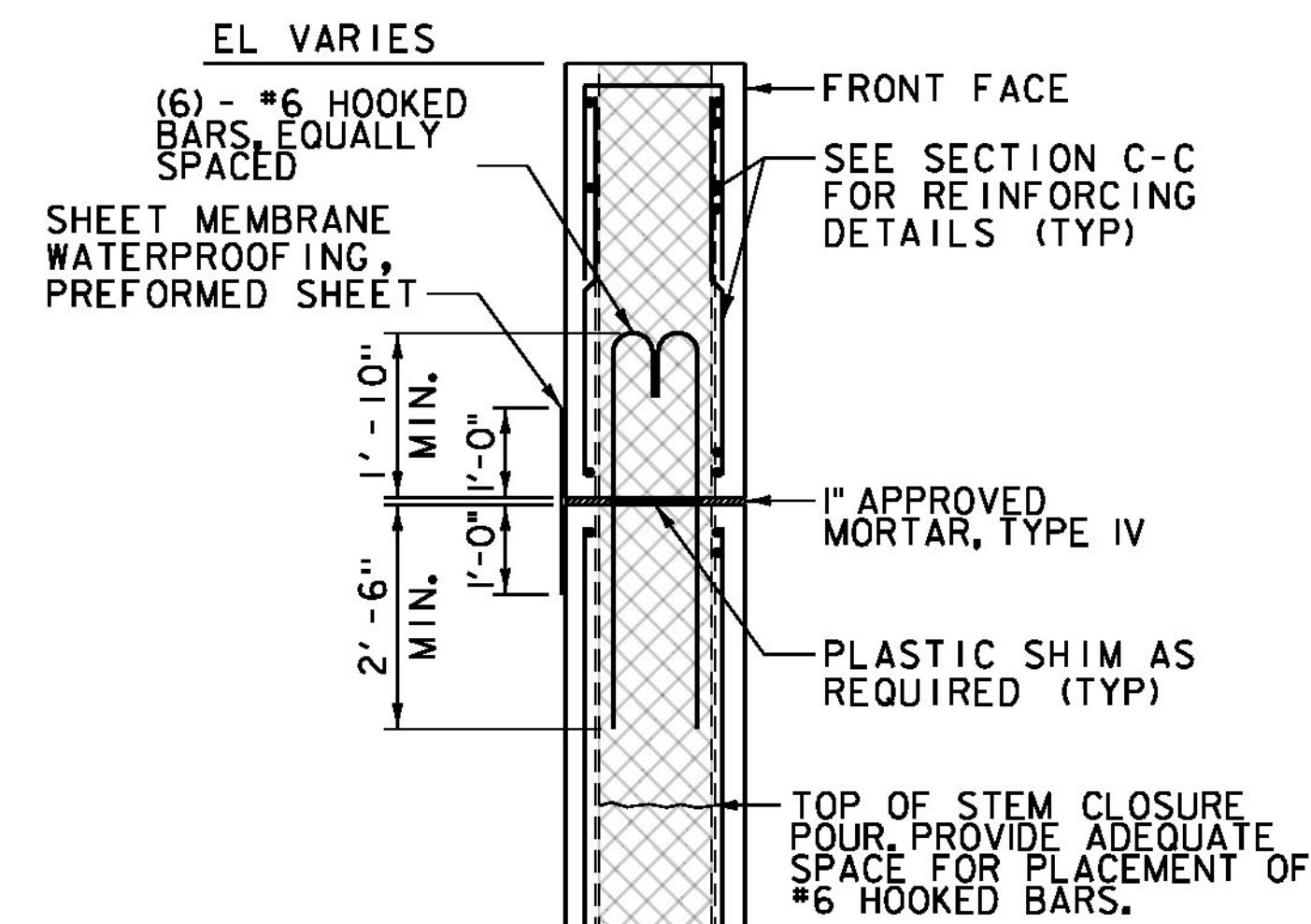
#7 @ 9" T&B
EL 779.00 / 781.00

LEVELING BOLT, SEE
ABUTMENT NO 2 FOOTING
SHEET FOR DETAILS (TYP)

(8) #8 L EVENLY
SPACED IN VOID

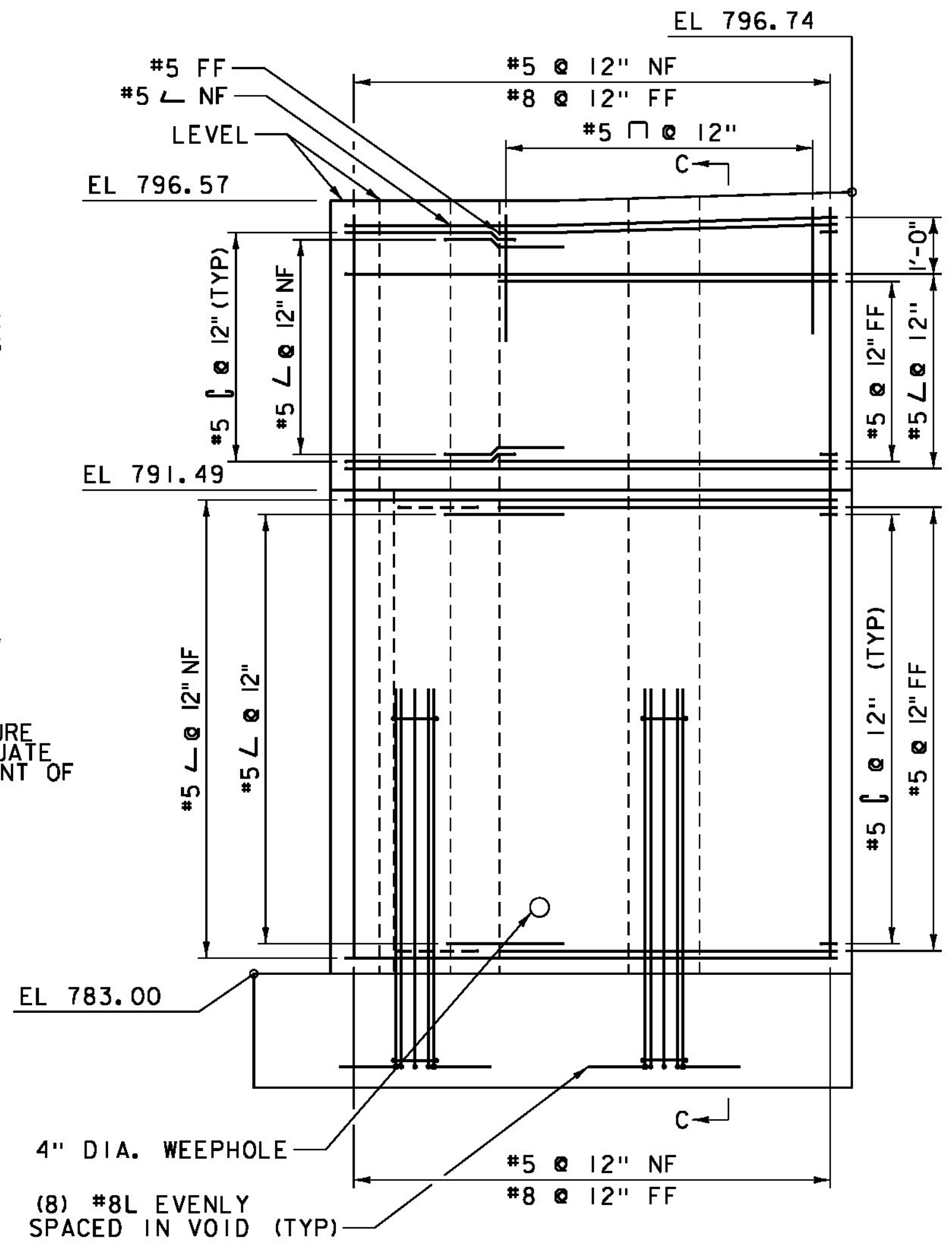


SECTION C-C
SCALE 1/2" = 1'-0"



PRECAST CAP TO WALL CONNECTION
SCALE 1/2" = 1'-0"

NOTE:
LEVELING BOLT AT TOE TO BE
LOCATED BETWEEN GROUT PORTS.



WINGWALL NO 4 ELEVATION
SCALE 1/2" = 1'-0"

NOTE:
NF = NEAR FACE
FF = FAR FACE
EF = EACH FACE
▲ = CUT TO FIT IN FIELD
3" CLEAR, UNLESS OTHERWISE
SPECIFIED ON THE PLANS.
2'-2" BAR LAP UNLESS OTHERWISE
SPECIFIED ON THE PLANS.

LIMITS OF SPECIAL PROVISION
(HIGH PERFORMANCE CONCRETE,
RAPID SET) (FPQ) CLOSURE POUR



PROJECT NAME: HUNTINGTON
PROJECT NUMBER: BF 0211(32)

FILE NAME: z13j080sub2.dgn
PROJECT LEADER: S.E. BURBANK
DESIGNED BY: R.H. BARNES
ABUTMENT NO 2 WINGWALL DETAILS

PLOT DATE: 8/15/2016
DRAWN BY: J.D. KEENER
CHECKED BY: R.H. BARNES
SHEET 43 OF 62