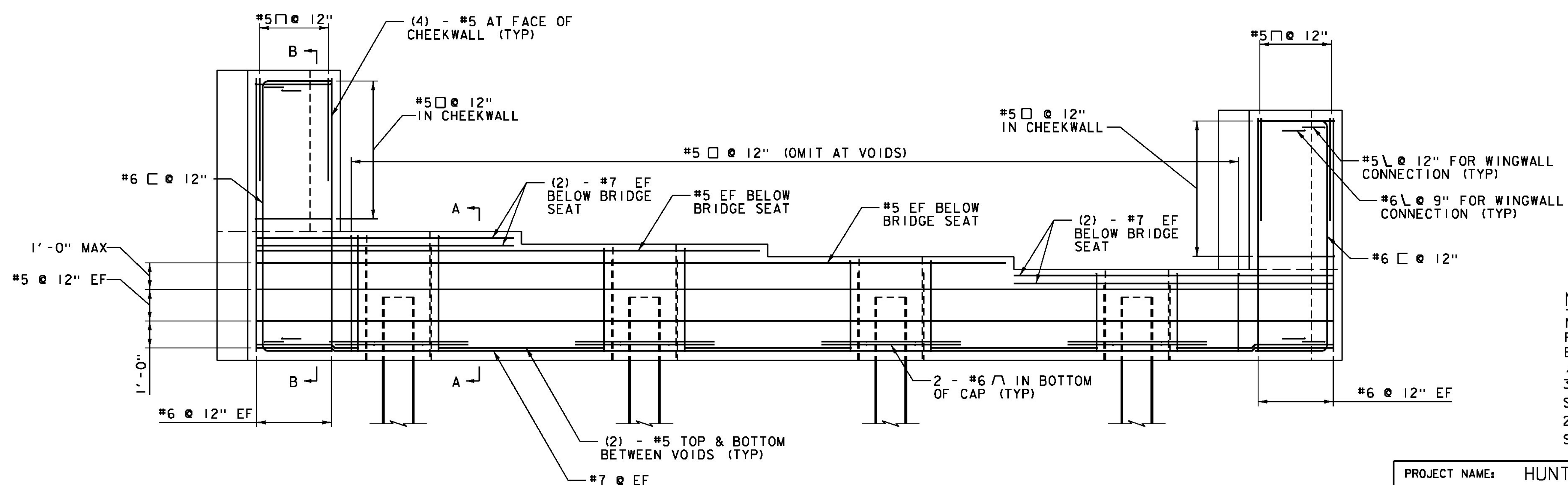


ABUTMENT NO 1 PLAN
SCALE 1/2" = 1' - 0"



ABUTMENT NO 1 ELEVATION
SCALE 1/2" = 1' - 0"

NOTE:
 NF = NEAR FACE
 FF = FAR FACE
 EF = EACH FACE
 ▲ = CUT TO FIT IN FIELD
 3" CLEAR, UNLESS OTHERWISE SPECIFIED ON THE PLANS.
 2'-2" BAR LAP UNLESS OTHERWISE SPECIFIED ON THE PLANS.

NOTE:
 1. SEE ABUTMENT NO 1 SECTIONS SHEET FOR SECTIONS A-A AND B-B.

PROJECT NAME:	HUNTINGTON	PLOT DATE:	8/15/2016
PROJECT NUMBER:	BF 0211(32)	DRAWN BY:	J.D. KEENER
FILE NAME:	z13J080sub1.dgn	DESIGNED BY:	R.H. BARNES
PROJECT LEADER:	S.E. BURBANK	CHECKED BY:	R.H. BARNES
ABUTMENT NO 1 REINFORCING		SHEET	37 OF 62

