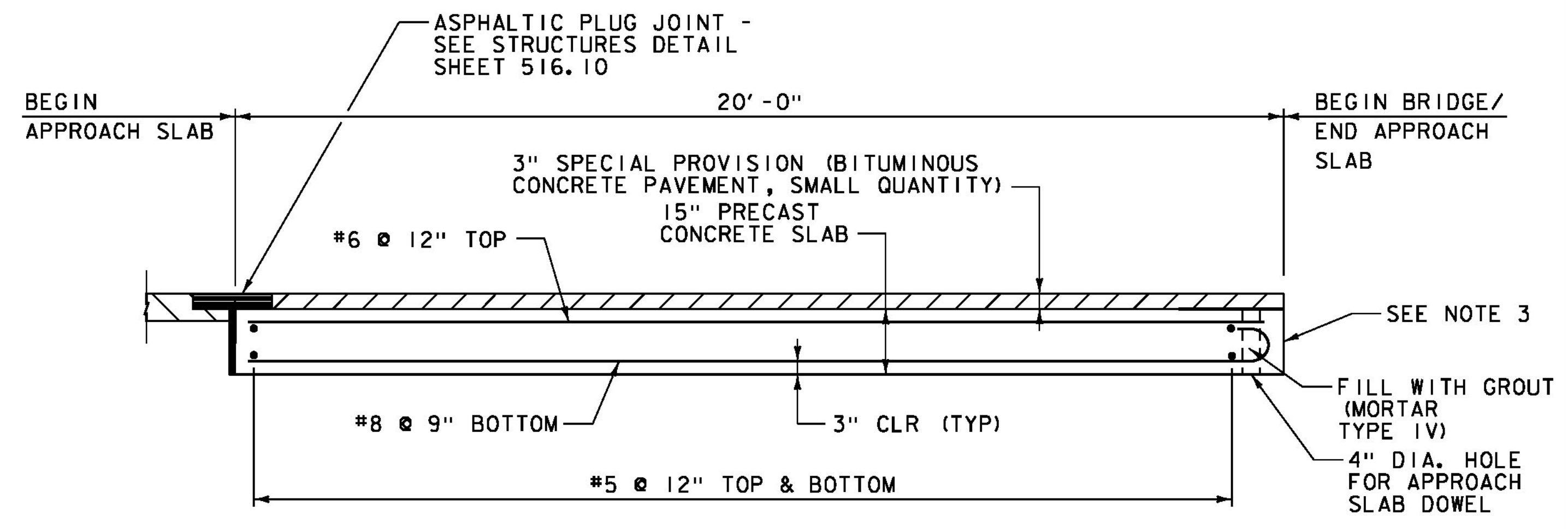
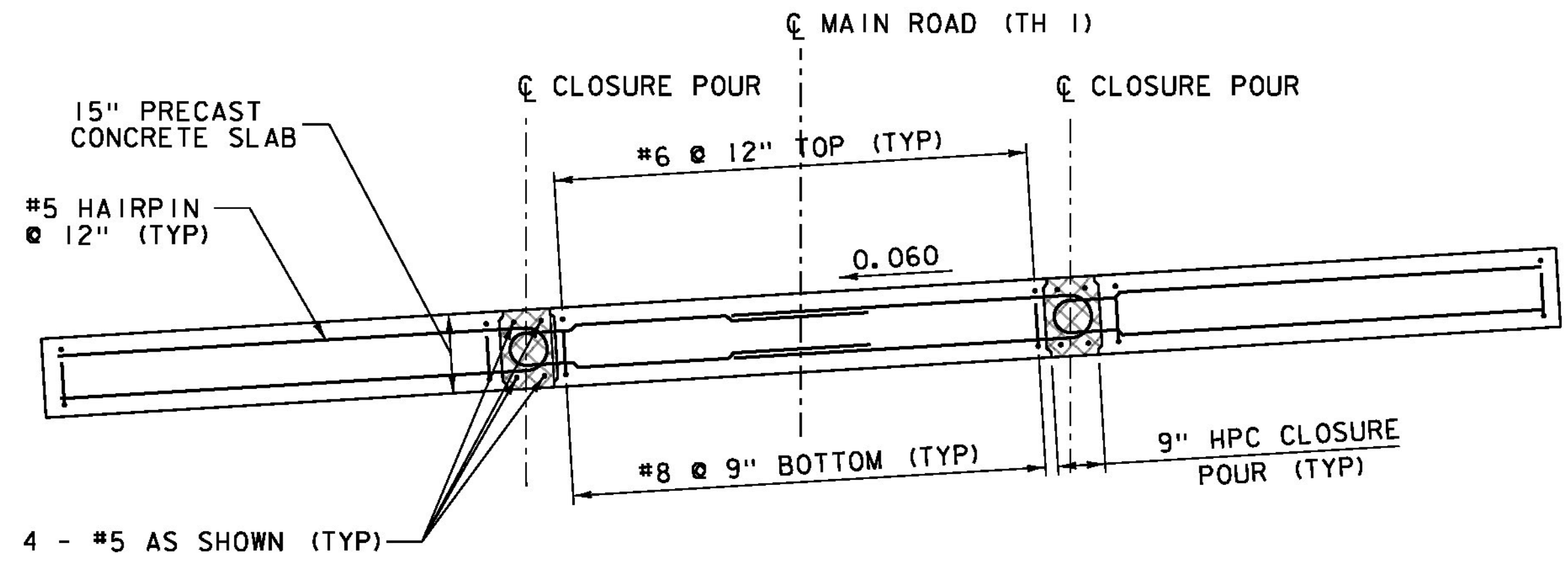


APPROACH SLAB NO. 1 PLAN
SCALE 1/2" = 1'-0"

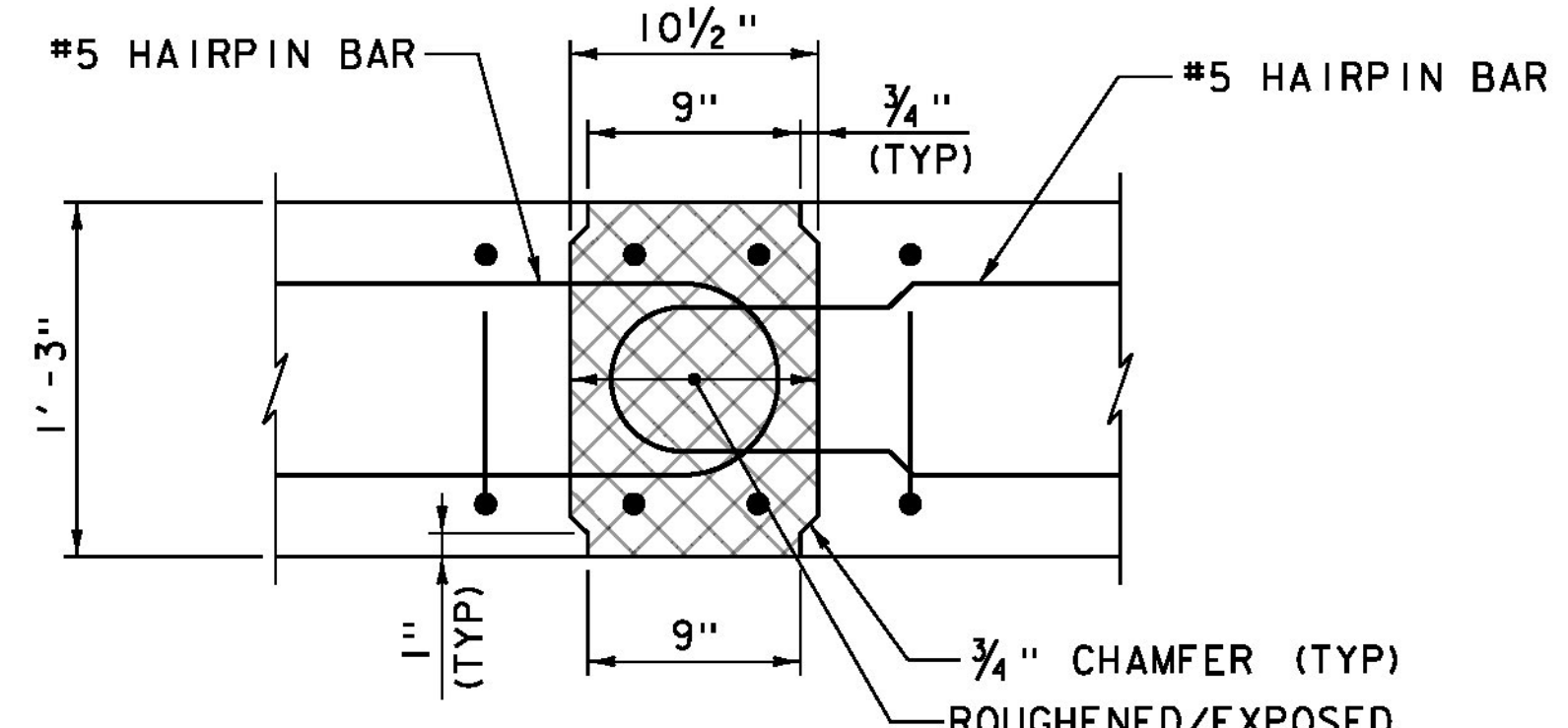
NOTE:
 NF = NEAR FACE
 FF = FAR FACE
 EF = EACH FACE
 ▲ = CUT TO FIT IN FIELD
 3" CLEAR, UNLESS OTHERWISE SPECIFIED ON THE PLANS.
 2'-2" BAR LAP UNLESS OTHERWISE SPECIFIED ON THE PLANS.



SECTION A-A
SCALE 1/2" = 1'-0"



SECTION B-B
SCALE 1/2" = 1'-0"



JOINT DETAIL
SCALE 1 1/2" = 1'-0"

LIMITS OF SPECIAL PROVISION (HIGH PERFORMANCE CONCRETE, RAPID SET) (FPO) CLOSURE POUR

- NOTES:**
- LIFTING POINTS IN APPROACH SLABS TO BE DESIGNED BY PRECASTER AND SUBMITTED WITH CALCULATIONS.
 - CONTRACTOR SHALL INCLUDE IN THE FABRICATION DRAWINGS THE METHOD AND DETAILS FOR ESTABLISHING CONTINUOUS CONTACT WITH SUBGRADE AND SUPPORT FOR PRECAST APPROACH SLABS.
 - FRONT FACE OF APPROACH SLAB SHALL BE VERTICAL WHEN PLACED ON APPROACH SLAB SEAT.

PROJECT NAME:	HUNTINGTON
PROJECT NUMBER:	BF 0211(32)
FILE NAME:	z13j080slab.dgn
PROJECT LEADER:	S.E. BURBANK
DESIGNED BY:	R.H. BARNES
PRECAST APPROACH SLAB DETAILS (1 OF 2)	PLOT DATE: 8/15/2016
	DRAWN BY: R.H. BARNES
	CHECKED BY: S.E. BURBANK
	SHEET 34 OF 62

