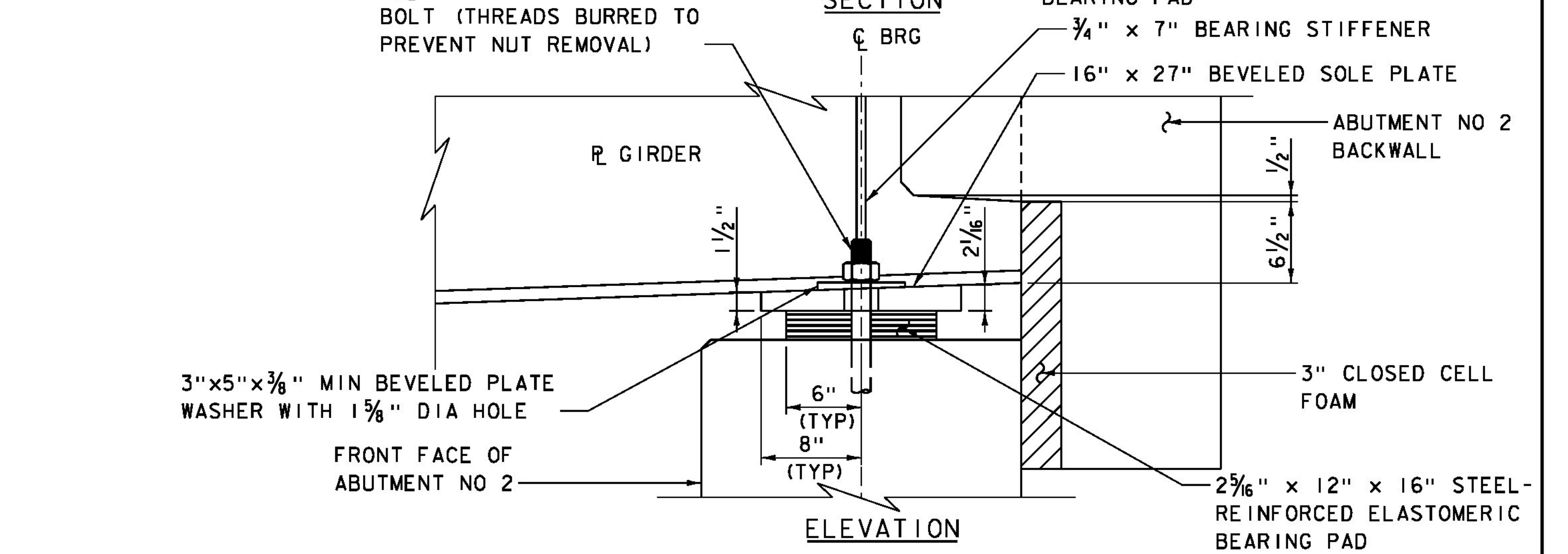
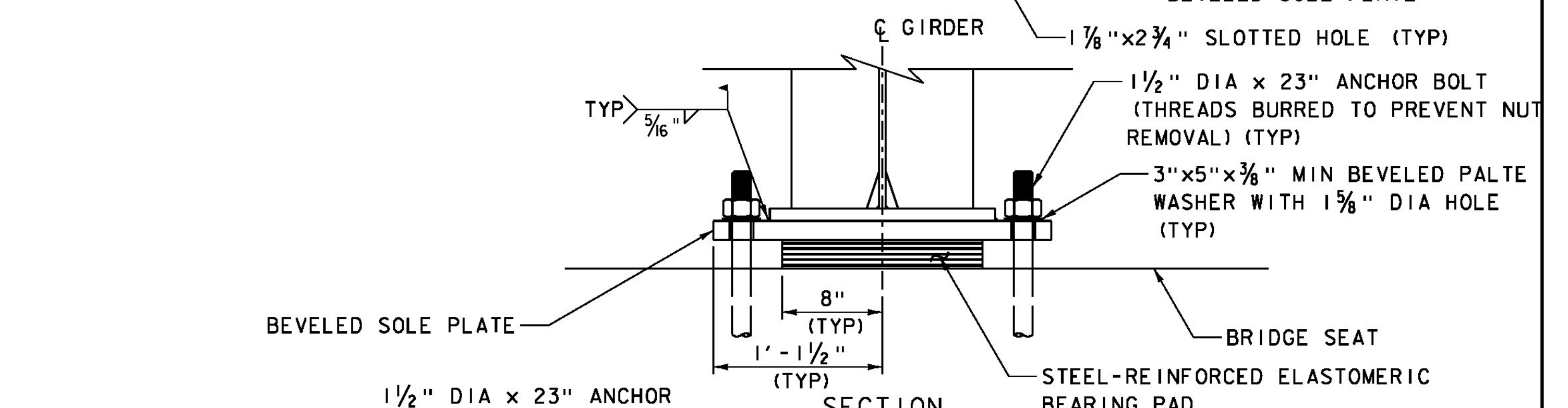
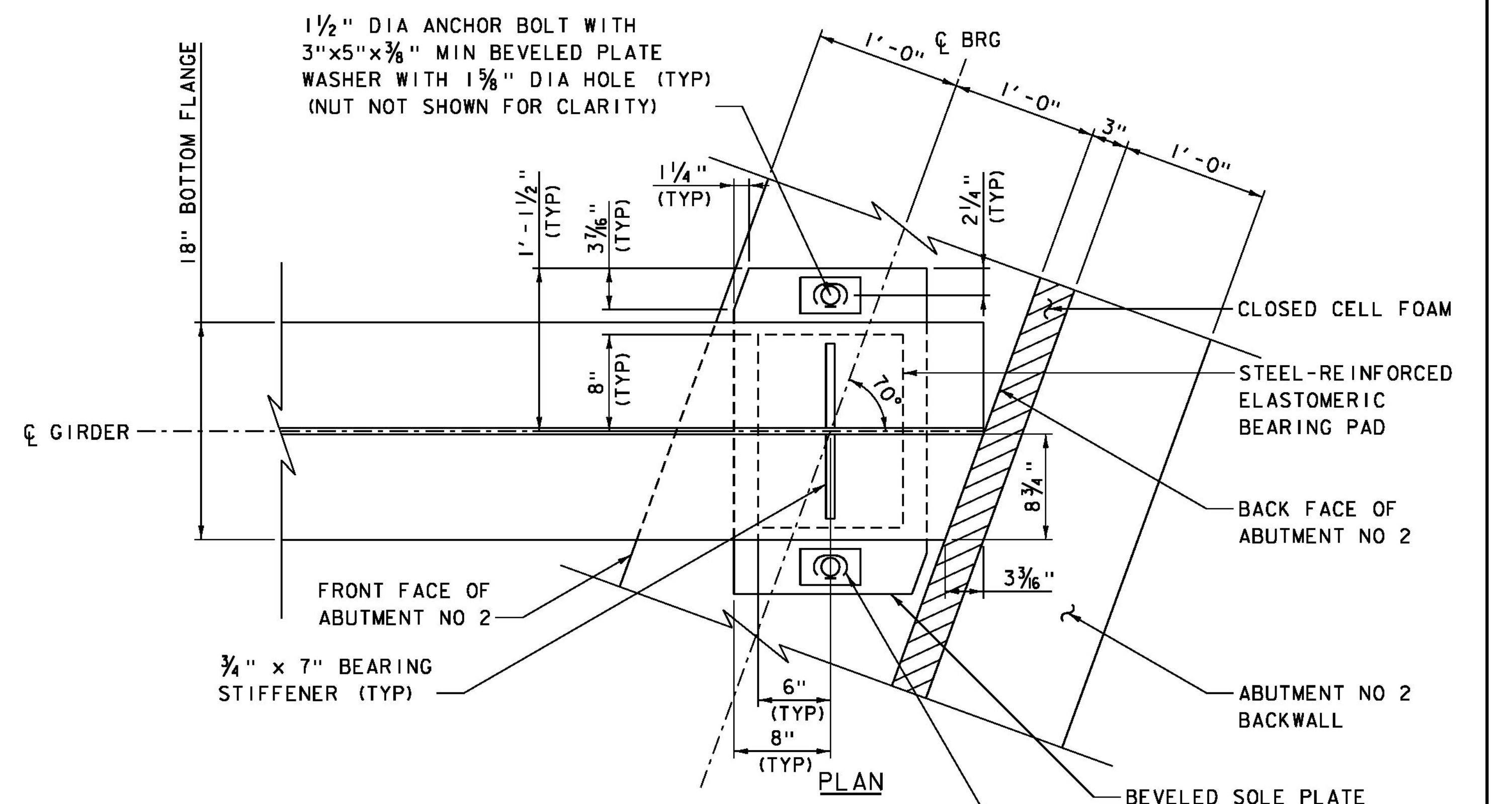


ABUTMENT NO 1 - EXPANSION BEARING DETAILS

SCALE 1/2" = 1'-0"

NOTE: SEE BEARING DETAILS (2 OF 2) FOR ELASTOMERIC BEARING NOTES AND STEEL-REINFORCED ELASTOMERIC BEARING PAD DETAILS.



ABUTMENT NO 2 - EXPANSION BEARING DETAILS

SCALE 1/2" = 1'-0"

PROJECT NAME: HUNTINGTON  
PROJECT NUMBER: BF 0211(32)

FILE NAME: z13j080brg.dgn  
PROJECT LEADER: S.E. BURBANK  
DESIGNED BY: R.H. BARNES  
BEARING DETAILS (1 OF 2)

PLOT DATE: 8/15/2016  
DRAWN BY: R.H. BARNES  
CHECKED BY: S.E. BURBANK  
SHEET 32 OF 62

