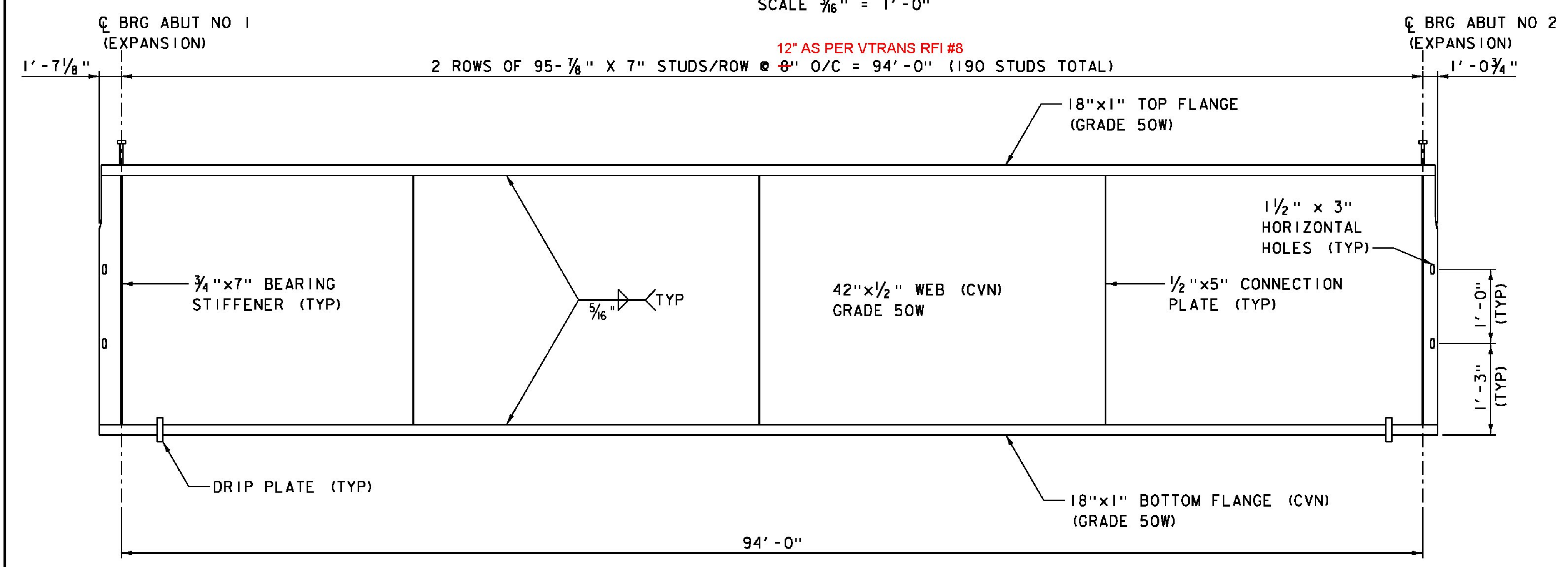
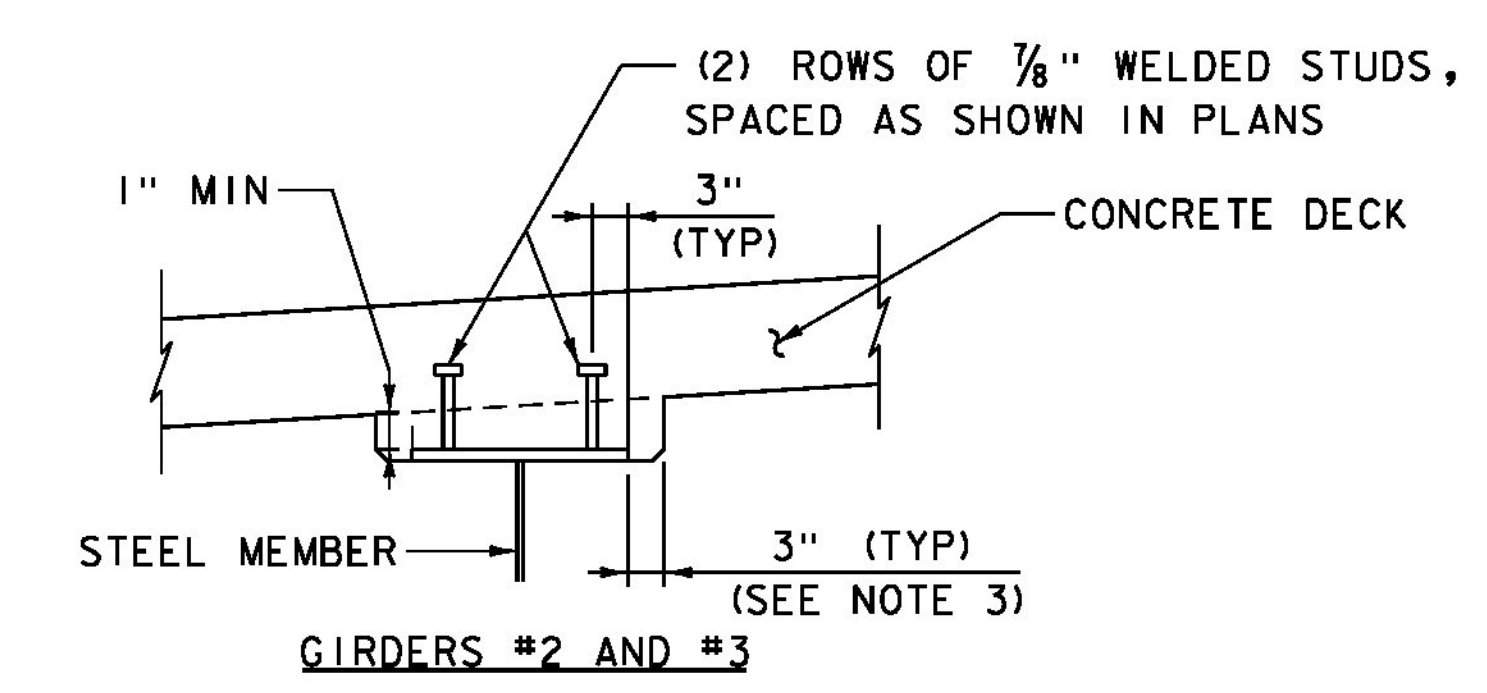
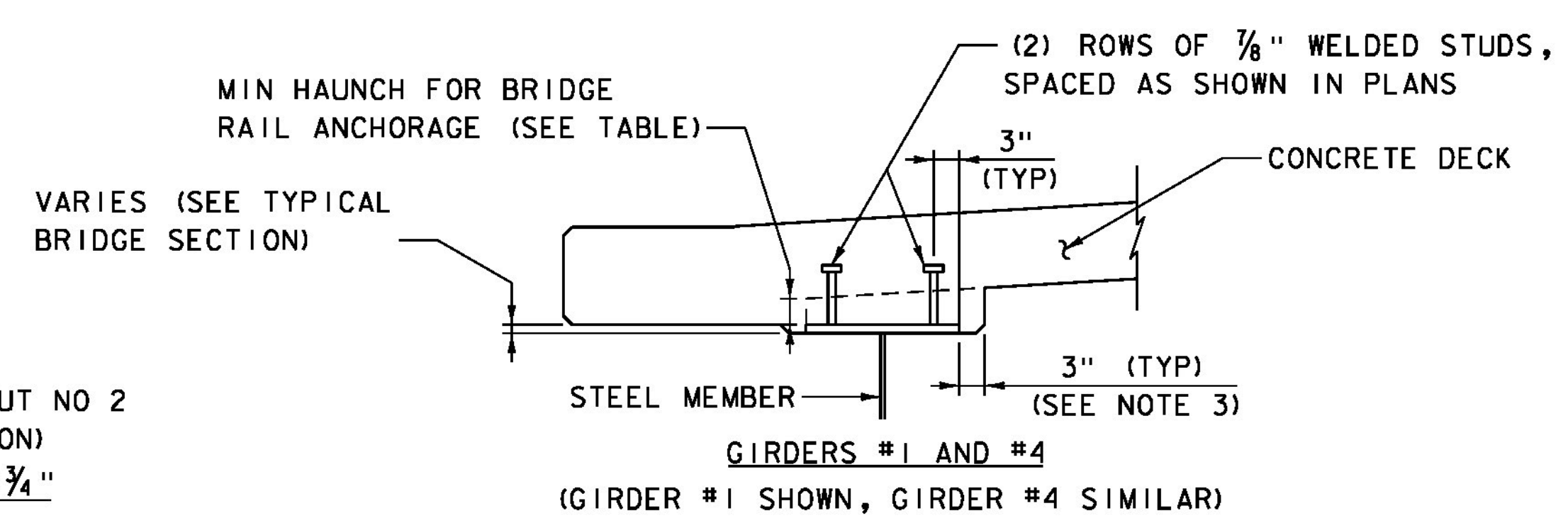


- NOTES:
1. CVN DENOTES THAT CHARPY V-NOTCH TEST IS REQUIRED.
  2. TWO ROWS OF 7/8" DIA. WELDED STUD CONNECTORS AT 8". SEE HAUNCH AND SHEAR CONNECTOR DETAIL, THIS SHEET.
  3. THE 3" HORIZONTAL SECTION MAY BE ELIMINATED FOR FORMING SYSTEMS DESIGNED FOR THE CONSTRUCTION OF VERTICAL HAUNCHES. ANY VOIDS RESULTING FROM FORMING SYSTEM ELEMENTS SHALL BE FILLED WITH JOINT SEALER, POLYURETHANE MEETING THE REQUIREMENTS OF SECTION 524. THE COST OF THE JOINT SEALER, POLYURETHANE WILL BE INCIDENTAL TO THE ADJACENT CONCRETE.

FRAMING PLAN  
SCALE 3/16" = 1'-0"



TYPICAL GIRDER ELEVATION  
HORIZONTAL SCALE 3/16" = 1'-0"  
VERTICAL NOT TO SCALE



	MINIMUM HAUNCH	
	AT ABUTMENTS	AT MIDSPAN
GIRDER #1	3 1/8"	2 1/2"
GIRDER #4	1 7/8"	1"

HAUNCH AND SHEAR CONNECTOR DETAILS  
NOT TO SCALE

PROJECT NAME:	HUNTINGTON	FILE NAME:	z13j080sup.dgn	PLOT DATE:	9/22/2016
PROJECT NUMBER:	BF 021(32)	PROJECT LEADER:	S.E. BURBANK	DRAWN BY:	R.H. BARNES
		DESIGNED BY:	J.D. KEENER	CHECKED BY:	S.E. BURBANK
		FRAMING PLAN		SHEET	30 OF 62

