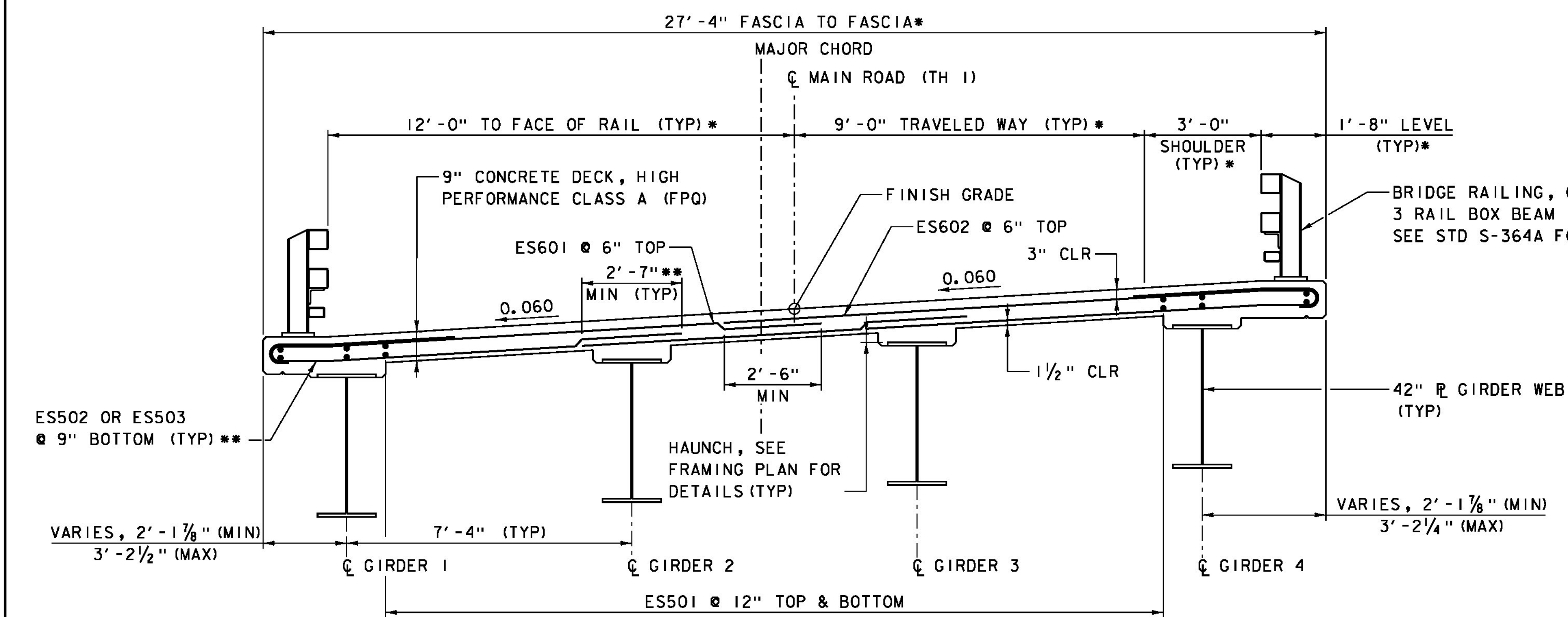
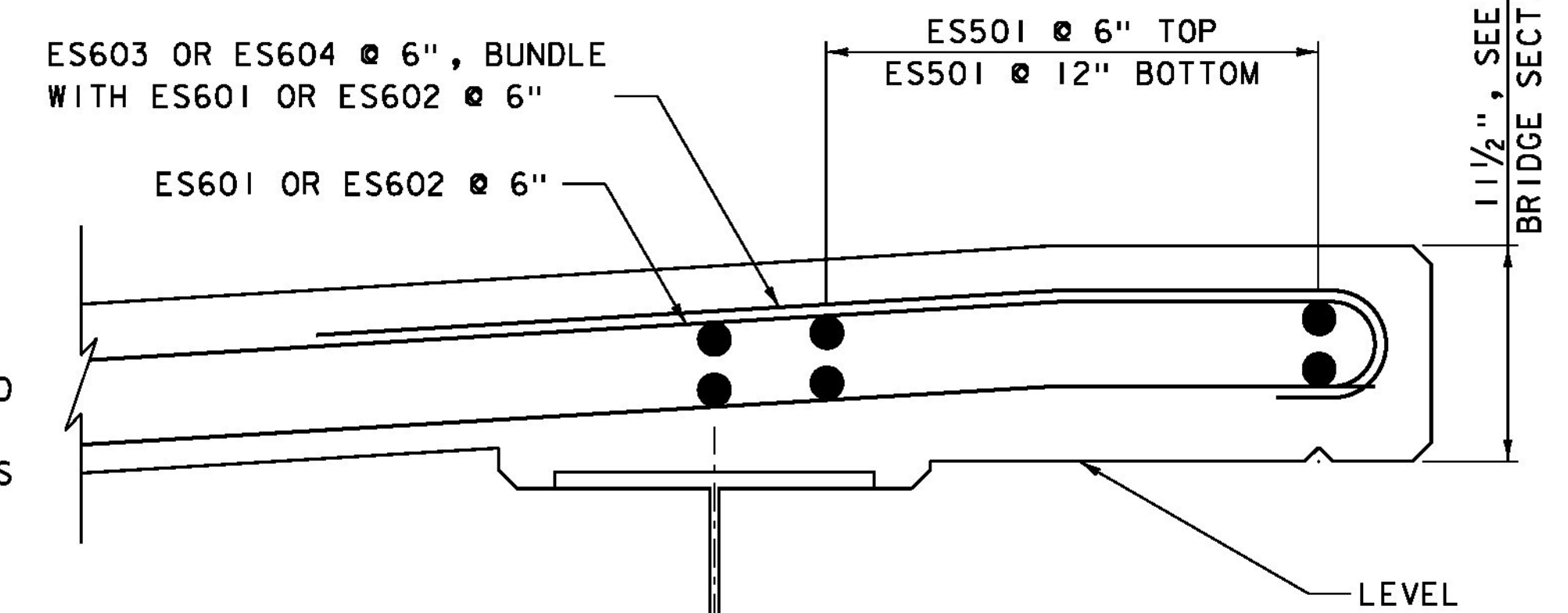


DECK REINFORCING PLAN
 SCALE 1/4" = 1'-0"
 * SPACING ALONG MAJOR CHORD



DECK TYPICAL SECTION
 SCALE 1/2" = 1'-0"

* DIMENSIONS ARE RADIAL
 ** LAP TO ALTERNATE OVER GIRDER 2 AND GIRDER 3



TYPICAL OVERHANG REINFORCEMENT
 SCALE 1 1/2" = 1'-0"

NOTE:
 NF = NEAR FACE
 FF = FAR FACE
 EF = EACH FACE
 ▲ = CUT TO FIT IN FIELD
 3" CLEAR, UNLESS OTHERWISE SPECIFIED ON THE PLANS.
 2'-2" BAR LAP UNLESS OTHERWISE SPECIFIED ON THE PLANS.

PROJECT NAME:	HUNTINGTON	PLOT DATE:	8/15/2016
PROJECT NUMBER:	BF 0211(32)	DRAWN BY:	R.H. BARNES
FILE NAME:	z13j080deck.dgn	DESIGNED BY:	J.D. KEENER
PROJECT LEADER:	S.E. BURBANK	DECK REINFORCING DETAILS	CHECKED BY: S.E. BURBANK
			SHEET 28 OF 62

