

PIVOT TYPE BREAKAWAY ADAPTER

Referring to figure 6, page 13, insert the cast breakaway adapter (E) into the gate arm end section (F) and secure with provided hardware. Position the gate arm with adapter attached 90 degrees from the mechanism assembly. Slip adapter onto mounting pin. Rotate arm 90 degrees, until the holes in the adapter align with the holes in the conversion bracket.

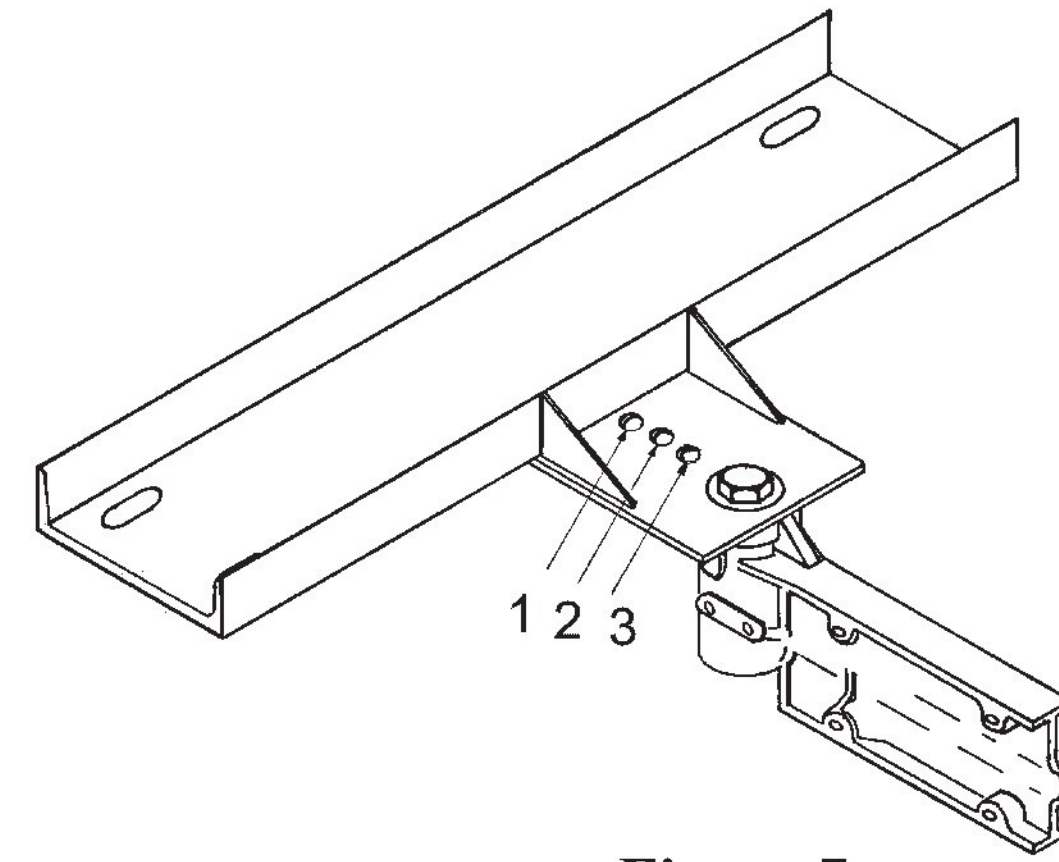


Figure 7

Install brass shear bolts in holes as instructed below. Gate arm length is measured from the centerline of the signal mast.

- 0-18' Gate Arms - Holes 2 and 3
- 19'-28' Gate Arms - Holes 1 and 2
- Over 29' Gate Arms - Holes 1, 2 and 3

GATE GARD ADAPTER

Referring to figure 6, Page 13, install the Gate Gard (D) adapter onto the counterweight arms (B). Observe the instruction sheet provided with the Gate Gard. Install gate arm (F).

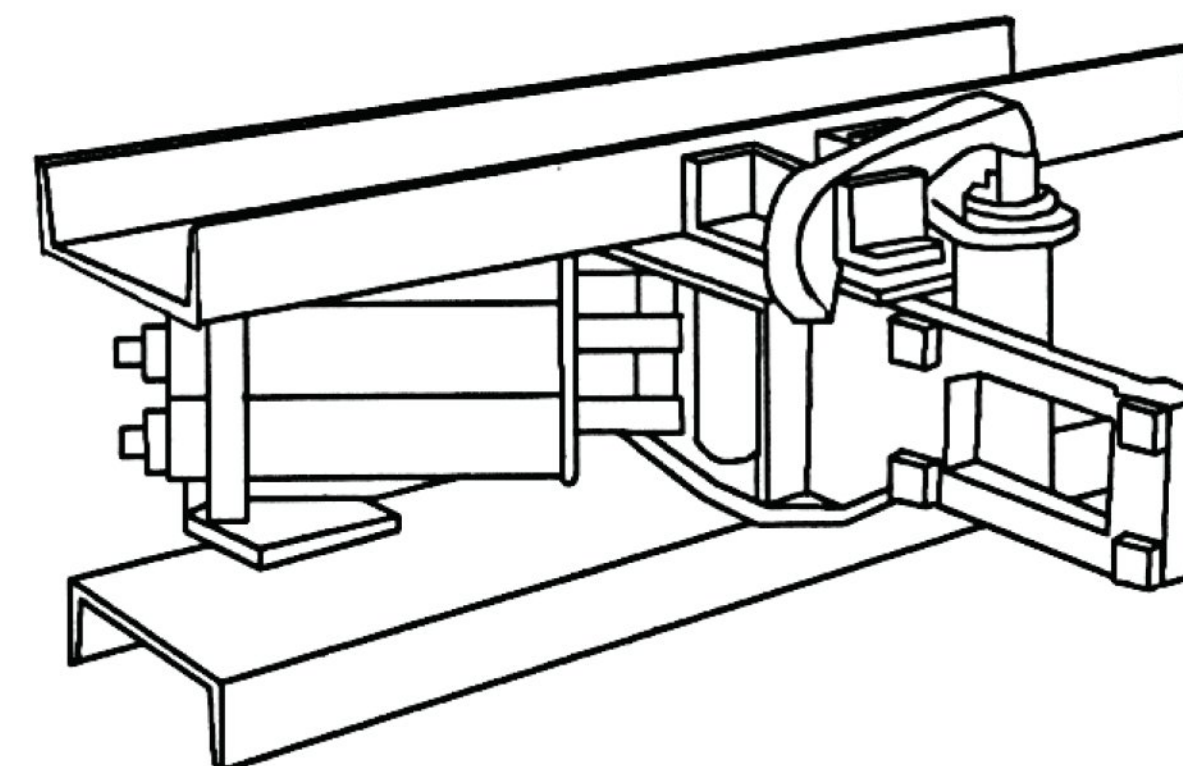


Figure 7A