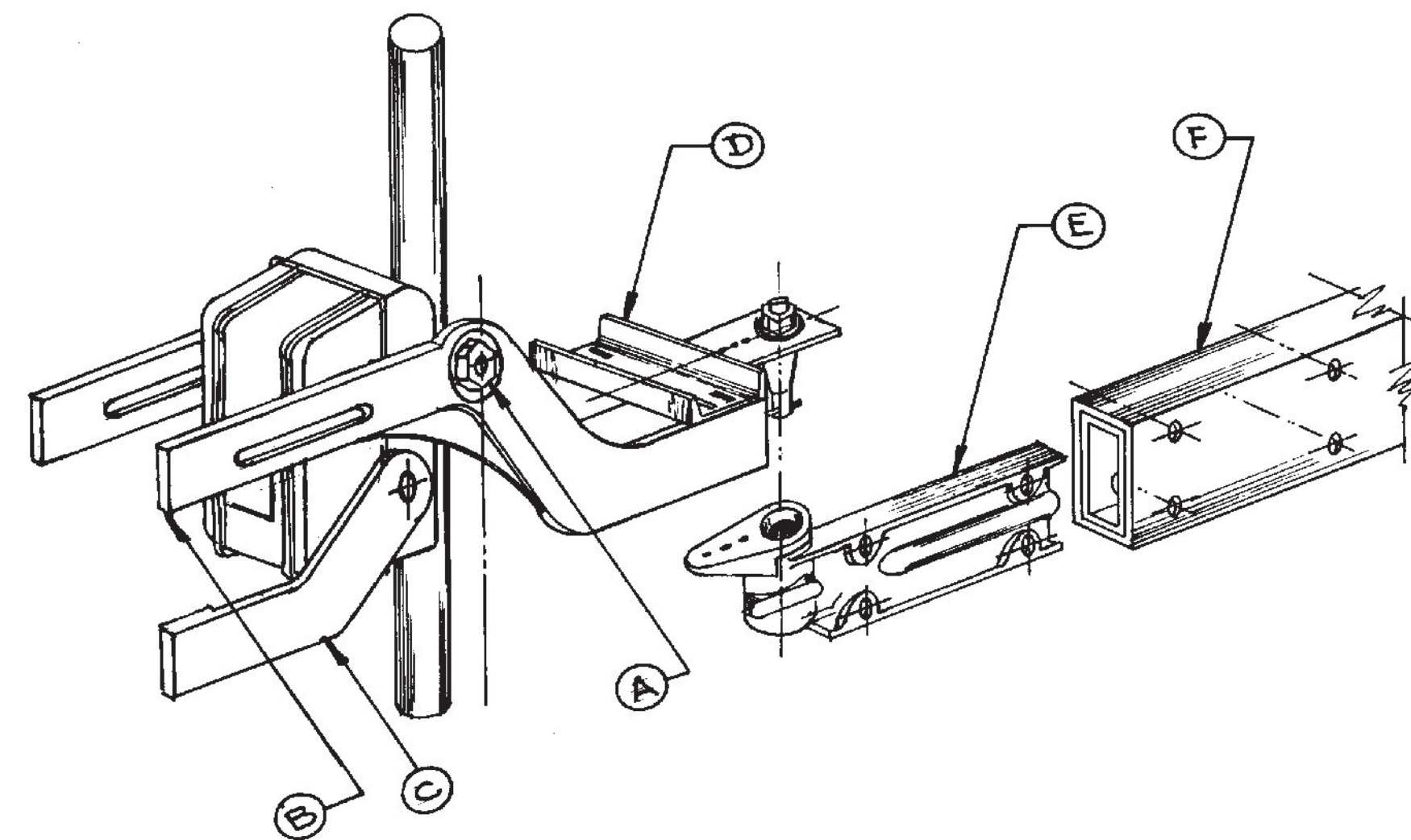


8. Refer to figure 6. If the mechanism is supplied with a sidewalk arm shaft (C), install the sidewalk arm adapter to the shaft at this time. Do not install the sidewalk arm. Apply gate arm counterweight support arms (B) to the mechanism main shaft (A). Keeping the gate end of the supports in the down (horizontal) position, install washers and hand tighten nuts on the main shaft.

CAUTION: Do not apply counterweight before the roadway gate arm is installed.

9. Install conversion bracket, breakaway adapter channel, or Gate Gard (D) to the counterweight support arms (B). Secure with provided hardware. The square head bolts fit into the recess on the support arm with the threads facing outward.
10. Tighten all installed hardware.
11. **Installation of fiberglass or aluminum/fiberglass gate arms**

Assemble the arm by sliding sections together to achieve desired length. In some cases, it may be necessary to drill holes in the inserted arm section. Secure sections with provided hardware.



**Gate and Counterweight
Support Installation
Figure 6**

Ref. No.	Description
A	Main Shaft
B	Gate and Counterweigh Support Arms
C	Sidewalk Arm Adapter
D	Conversion Bracket or Adapter
E	Cast Breakaway Adapter
F	Gate Arm Section