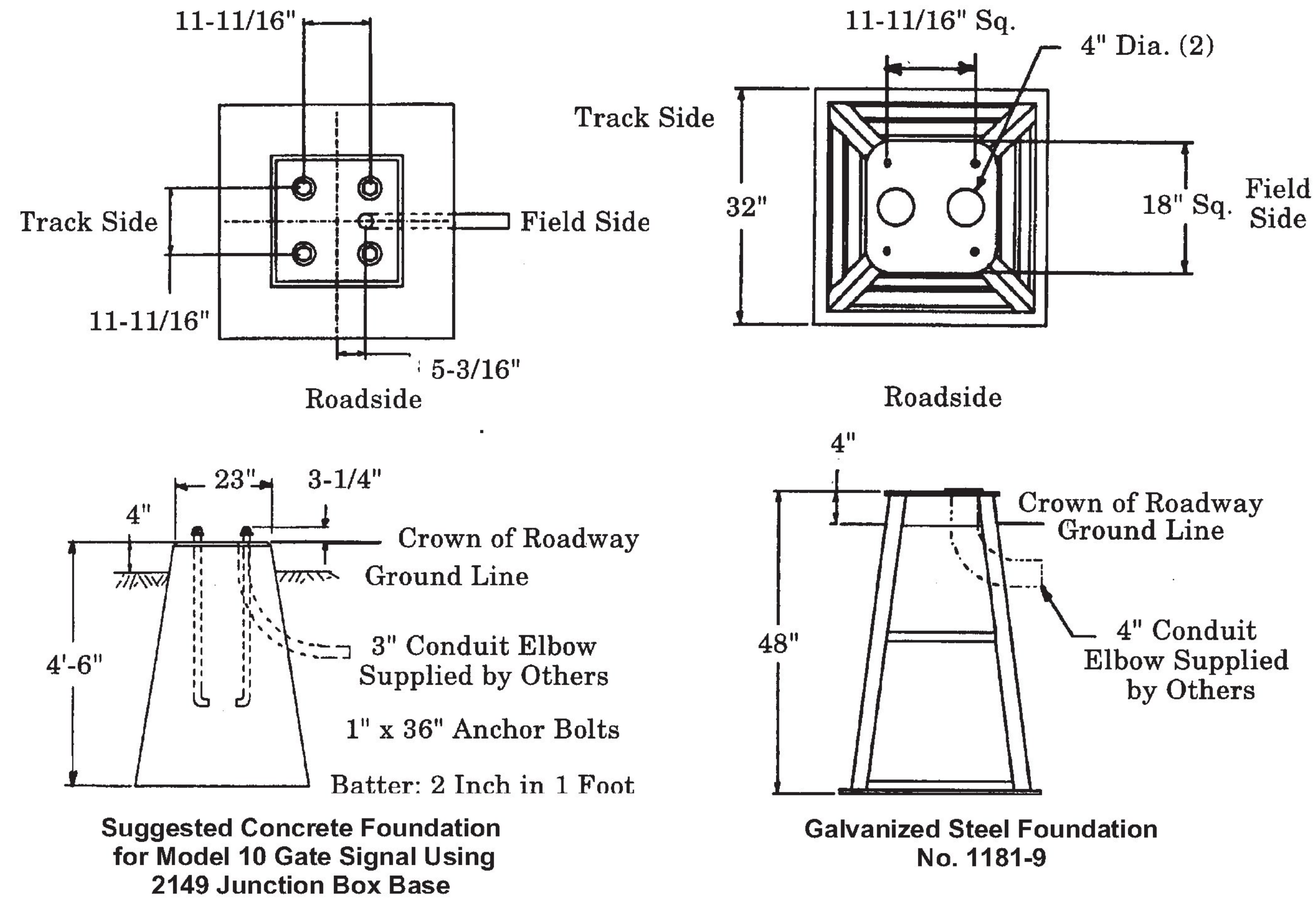


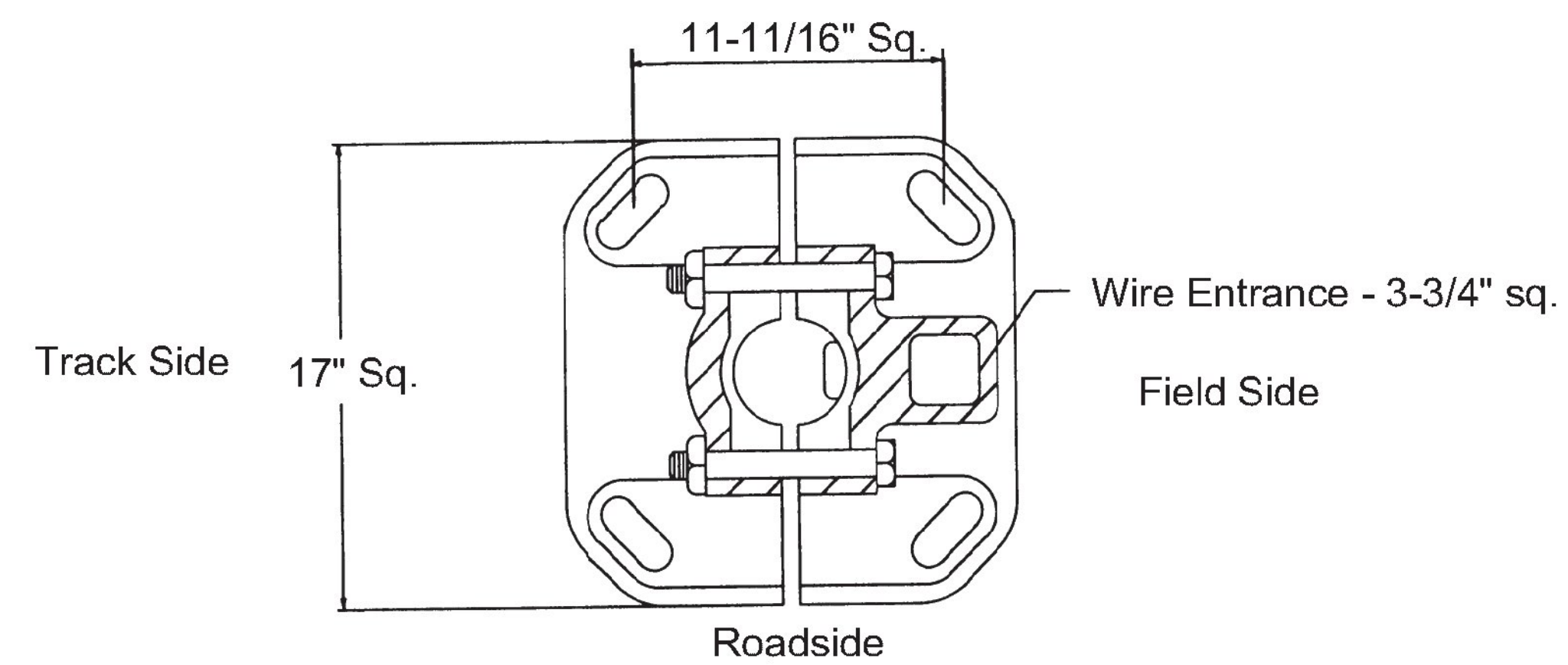
**SECTION 2  
INSTALLATION INSTRUCTIONS - MODEL 10 SIGNAL**

1. Install foundation in proper location per the requirements of the installation.  
Refer to figures 1 and 2 for typical foundation details.



**Figure 1**

**Figure 2**



**Plan View of Type 2149  
Junction Box Base**

**Figure 2A**