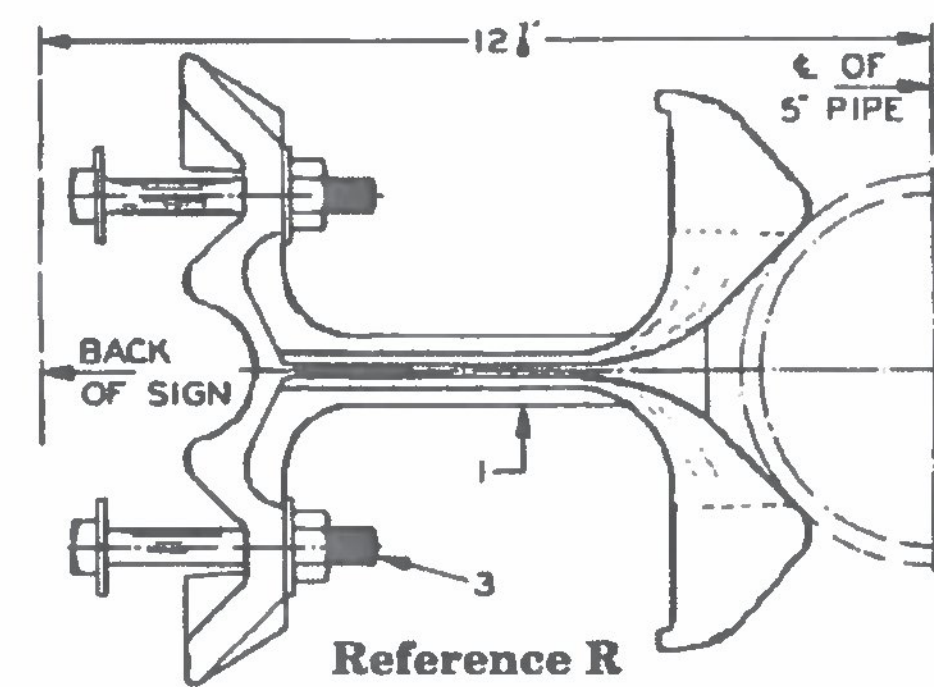
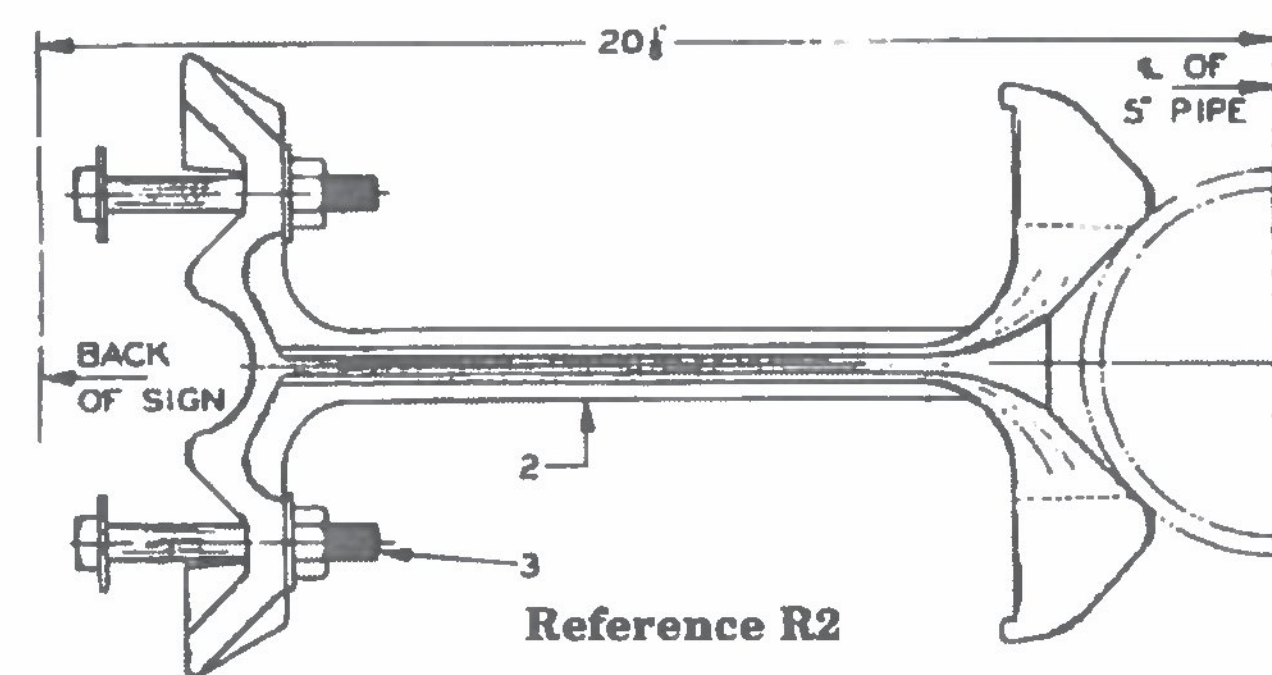


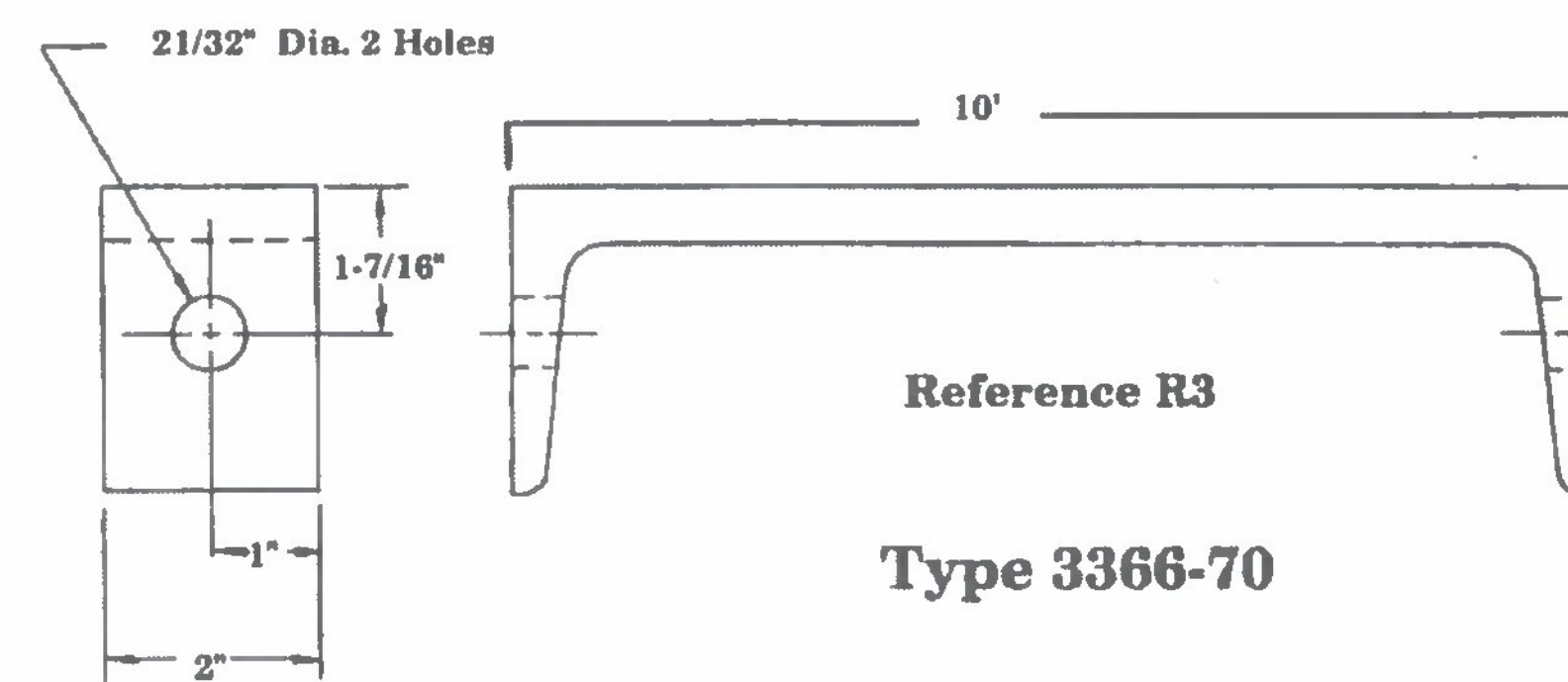
Extension Brackets for Crossing Signs



Type 3366-40



Type 3366-140



Type 3366-70

Ref. No.	Description	Part No.
R	Type 3366-40 extension bracket (cast aluminum) complete with bolts, nuts and washers	3366-A-40
R2	Type 3366-140 extension bracket (cast aluminum) complete with bolts, nuts and washers; use with wooden gates over 39"	3366-A-140
R3	Type 3366-70 extension channel, standard extension provided with all mounting kits for 5" mast	3366-70
1	Extension bracket, aluminum casting only	3366-A-41
2	Extension bracket, aluminum casting only	3366-A-141
3	Machine bolt, 1/2" - 13 x 4" square head bolt, with hex nut and 2 plain washers	3366-44

WESTERN-CULLEN-HAYES, INC.
 2700 W. 36TH PLACE CHICAGO, IL. 60632
 (773) 254-9600 FAX (773) 254-1110