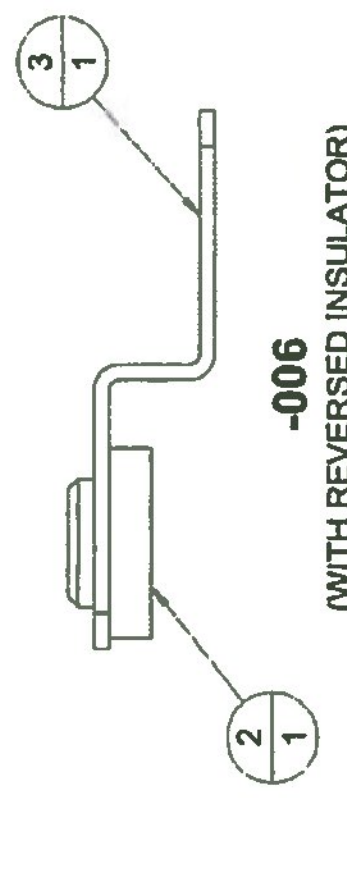
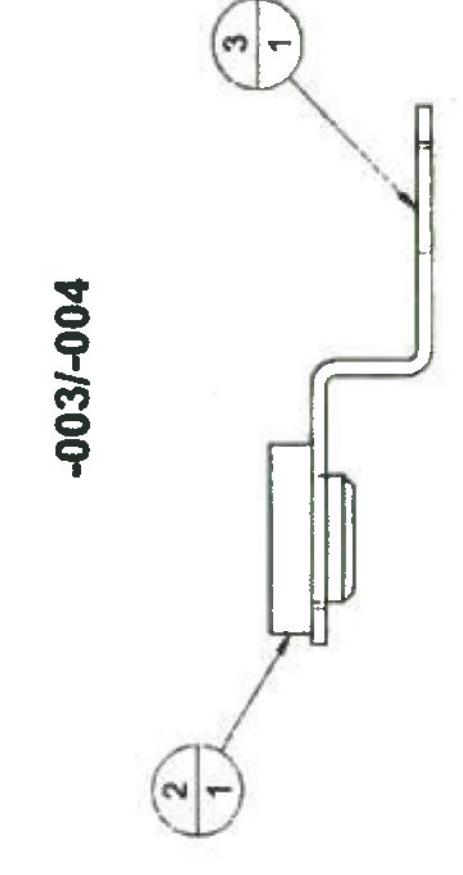
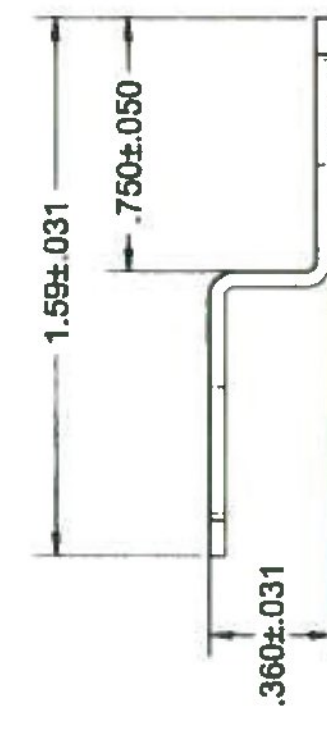
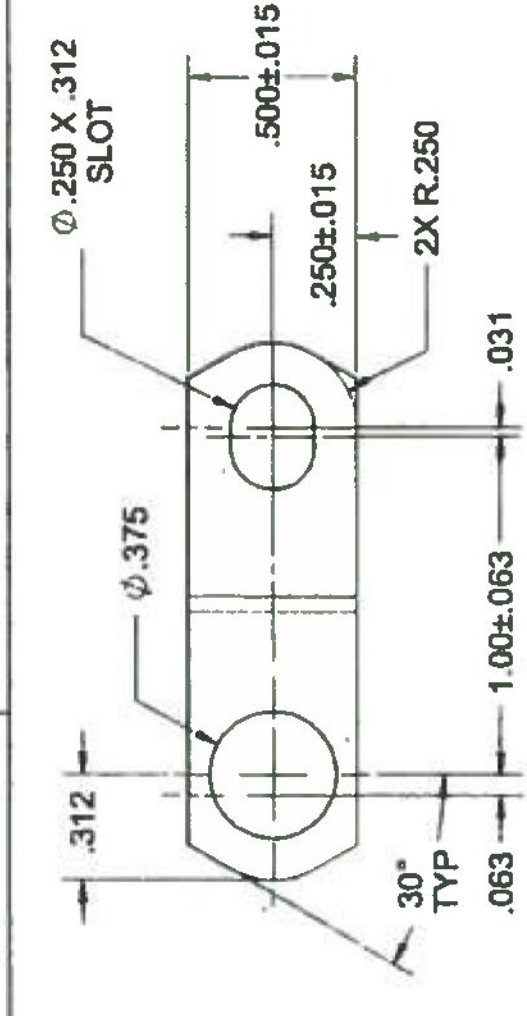
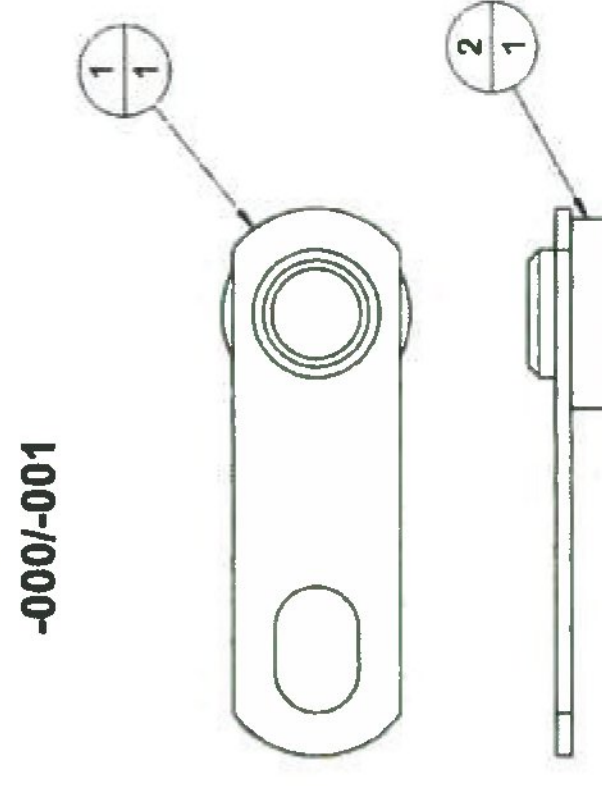
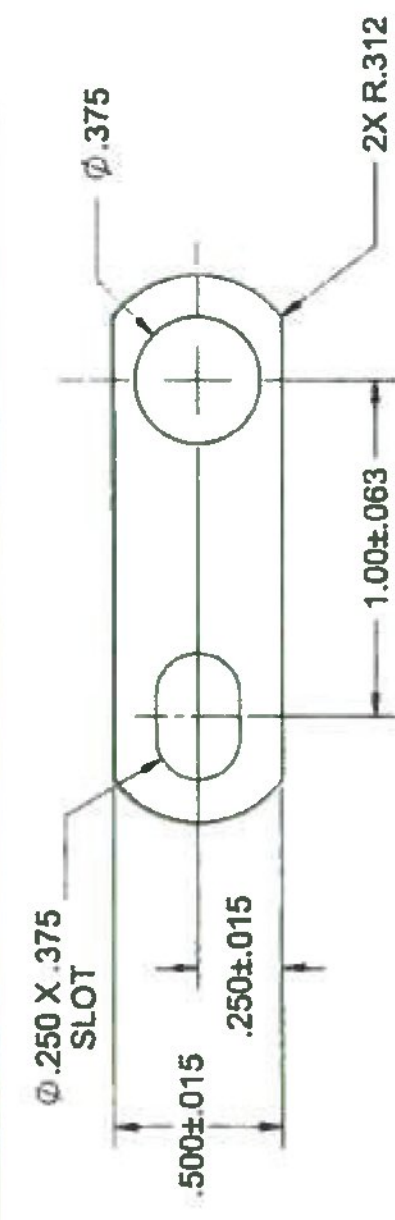


4
GE PROPRIETARY INFORMATION
 THE INFORMATION CONTAINED IN THIS DOCUMENT IS GE PROPRIETARY INFORMATION AND IS DISCLOSED IN CONFIDENCE. IT IS THE PROPERTY OF GE AND SHALL NOT BE USED, DISCLOSED TO OTHERS OR REPRODUCED IN ANY MANNER WITHOUT THE WRITTEN PERMISSION OF GE. THIS INFORMATION IS NOT TO BE USED IN THE CREATION, MANUFACTURE, DEVELOPMENT, OR DERIVATION OF ANY REPAIRS, MODIFICATIONS, SPARE PARTS, DESIGNS, OR CONFIGURATION CHANGES OR TO OBTAIN ANY GOVERNMENT OR REGULATORY APPROVALS. ANY REPRODUCTION OF THIS DOCUMENT SHALL APPEAR IN ANY SUCH REPRODUCTION IN WHOLE OR IN PART, EXPORT CONTROL LAWS OF THE UNITED STATES MAY ALSO APPLY. THE INFORMATION AND/OR MATERIALS CONTAINED HEREIN, UNAUTHORIZED EXPORT OR RE-EXPORT IS PROHIBITED.



- NOTES:
 1. DEBURR AND REMOVE ALL SHARP EDGES.
 2. MATERIAL : REFER MATERIAL SPECIFICATION AS NOTED IN 036060-676.
 3. FINISH : ELECTROLESS NICKEL PLATING .0003" MINIMUM THK. PER MIL-C-26074.

CONFIGURATION TABLE

SR. NO.	PART NO.	DESCRIPTION	ITEM
1	032257-000	TEST LINK 1" CTR FLT MACH PLN	-
2	032257-001	TEST LINK 1" CTR FLT PLATED	1
3	033050-001	INSULATOR AAR TEST LINK	-
4	032257-002	TEST LINK W/PLT & INSUL	2
5	032257-003	TEST LINK 1" OFFSET MACH PLAN	-
6	032257-004	TEST LINK 1" OFFSET PLATED	3
7	032257-005	TEST LINK 1" OFFSET W/PLT/INSU	-
8	032257-006	TEST LINK 1"OFFSET W/INSUL MOD	-

UNLESS OTHERWISE SPECIFIED DIMENSIONS ARE IN INCHES AND MILLIMETERS ARE IN []

ENGINEER: BRANDI WOOD
 DRAWN BY: S ZUBAIR
 ENGINEER APPROVAL: BRANDI WOOD
 CHECKED BY: S ZUBAIR
 DATE: 12/16/09

TOLEANCES: .XX ± .015, .XXX ± .005
 FRACTIONS ± NA, ANGLES ± NA

REV. CHANGE NO. DATE BY
 HCO 6010974 12/16/09 SZ

MIN. MOD LEVEL: C
 PRODUCT: TEST LINK INSULATED FLAT AND OFFSET

GE TRANSPORTATION SYSTEMS
 GLOBAL SIGNALING
 ARGO & DILLINGHAM, GRAIN VALLEY, MO 64029 U.S.A.

SIZE: SCALE: DRAWING NO.: 032257-XXX
 SHEET: 1 OF 1
 REV.: HCO