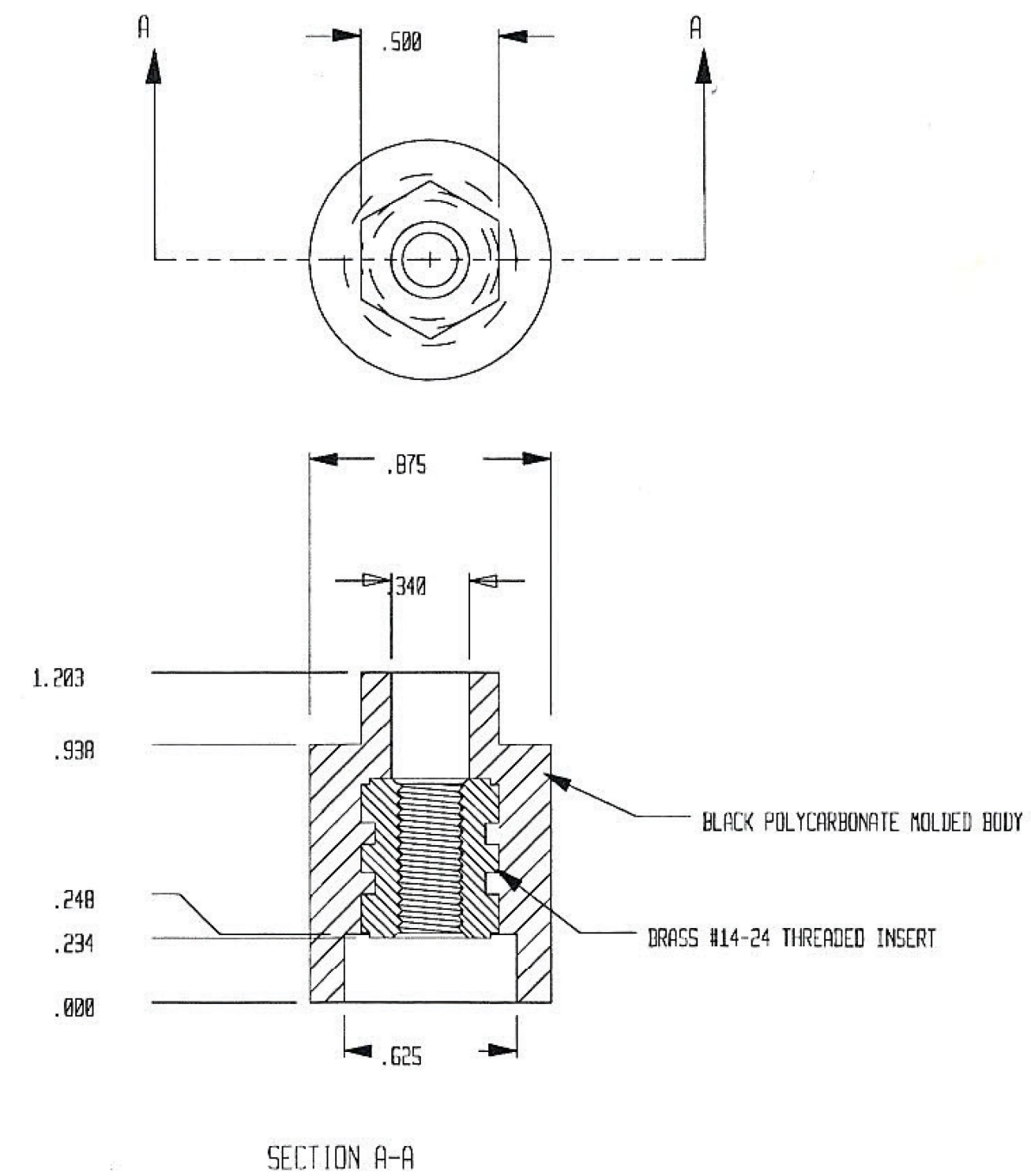
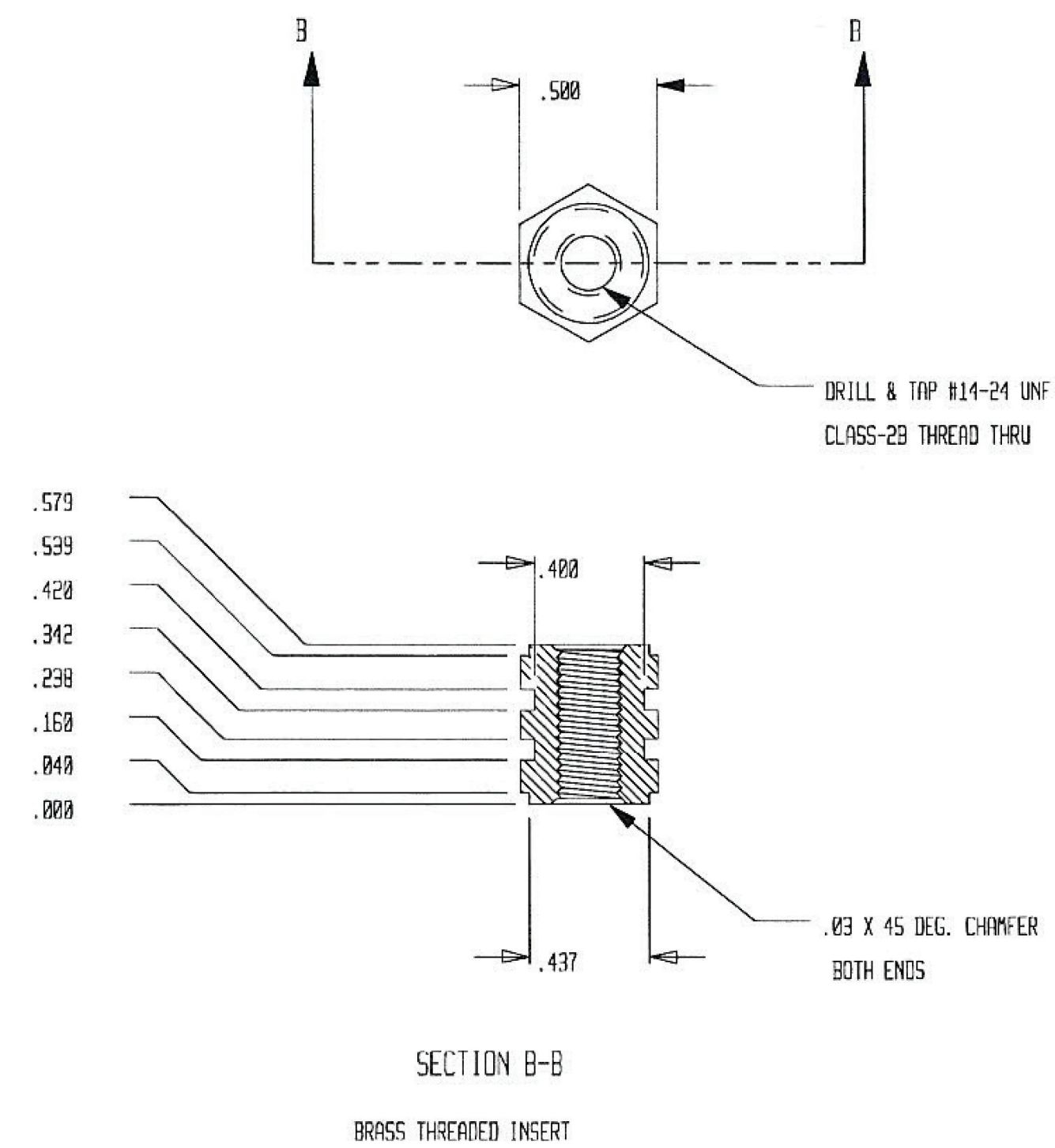


This Drawing, which contains proprietary information is the property of General Electric Company. It shall not be reproduced in any manner nor disclosed to third parties without written permission of General Electric Company




NOTE:  
1. MANUFACTURED BY RUJO PRODUCTS, BLUE SPRINGS MD.

BRASS INSERT NOTES:

1. MATERIAL: FREE CUTTING BRASS, HALF HARD TEMPER (H-02)  
HFN 38065-429 BAR
2. FINISH: BRIGHT NICKEL (.0004 TO .0006 IN THICK)  
PER ASTM B456-71 1979.

MFG: FISCHER SPECIAL CO.

CORNELL MFG. CO.  
P/N 1424-32107  
OR EQUIVALENT

							ENGINEER P. BROWN	SCALE 1:1	 HARMON INDUSTRIES, INC. ARGO & DILLINGHAM ROADS GRAIN VALLEY, MO. 64029 (800) 825-3178				
							DRAWN BY P. BROWN	DATE 5/95					
							MATERIAL ---	FINISH ---	TITLE:  HARMON INSULATED NUT				
							TOLERANCE UNLESS NOTED						
							DECIMALS .xx : .015 .xxx : .005	FRACTIONS + -	ANGLES + -	FILE TYPE CADKEY	DRAWING NO. 013986-000	SHEET OF 1 1	SIZE B