

This Drawing, which contains proprietary information is the property of General Electric Company. It shall not be reproduced in any manner nor disclosed to third parties without written permission of General Electric Company

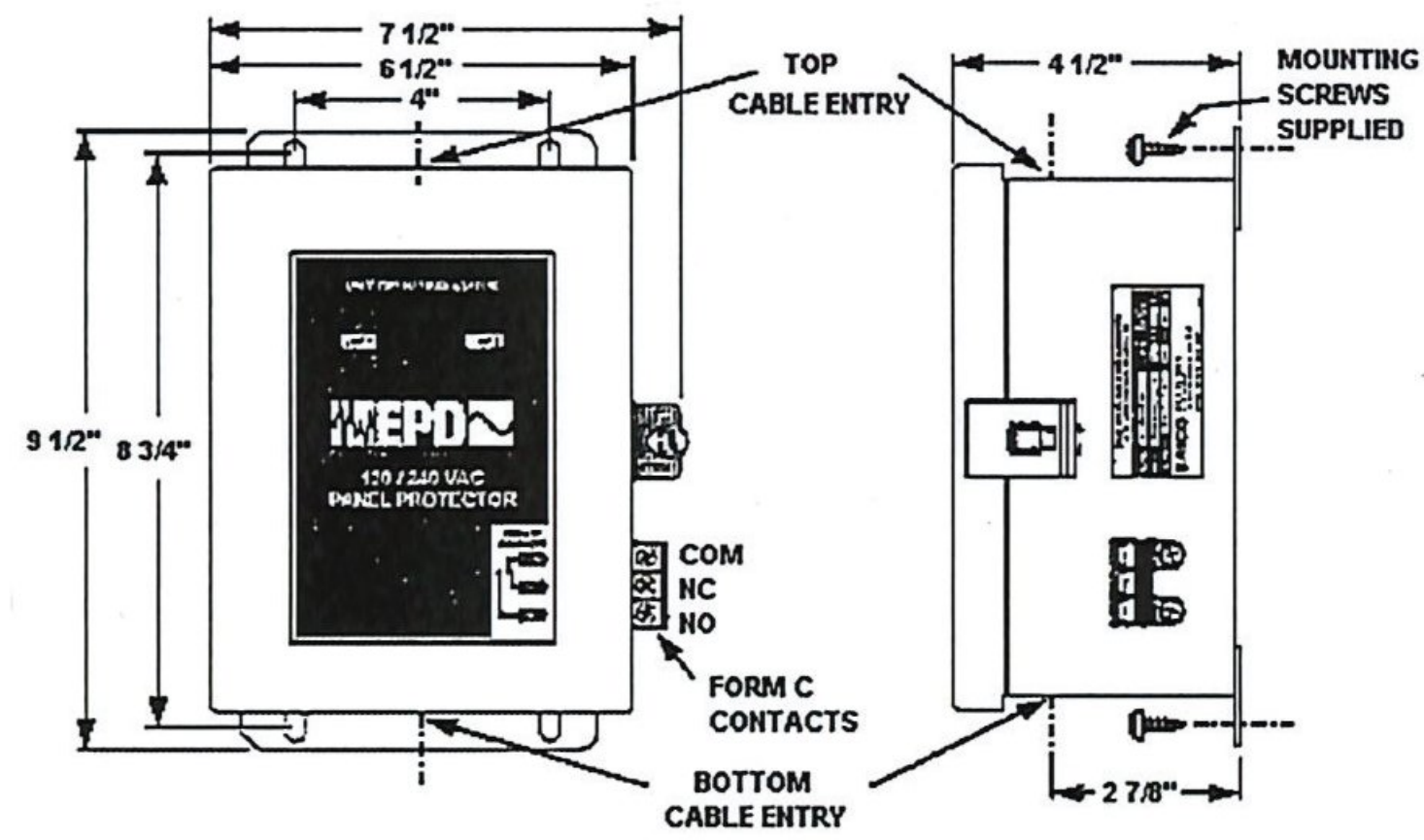


FIGURE 6: SURGE PROTECTOR HPN -003 AND -005
 NOTE: HPN -005 HAS FLYING LEADS NOT SHOWN IN FIGURE 6.

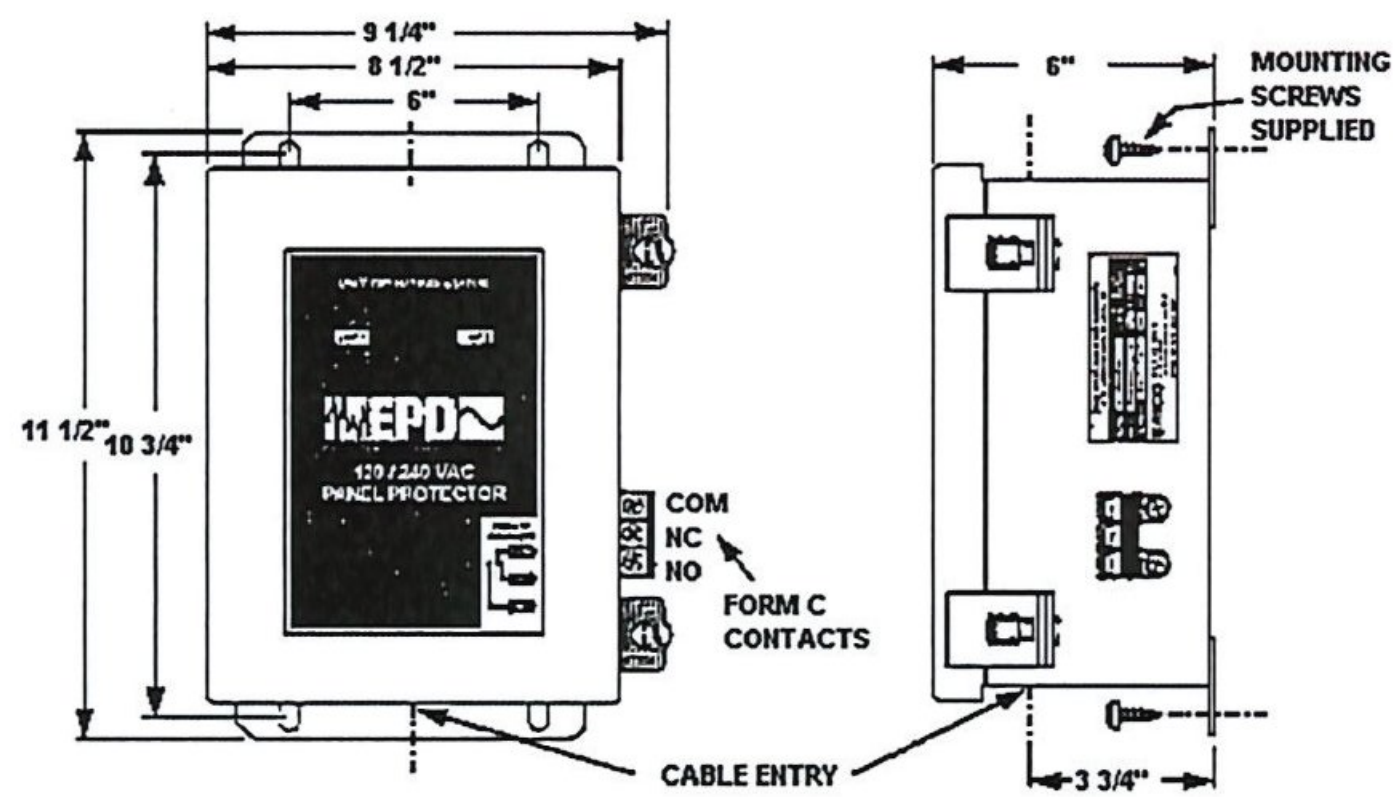


FIGURE 8: SURGE PROTECTOR HPN-004

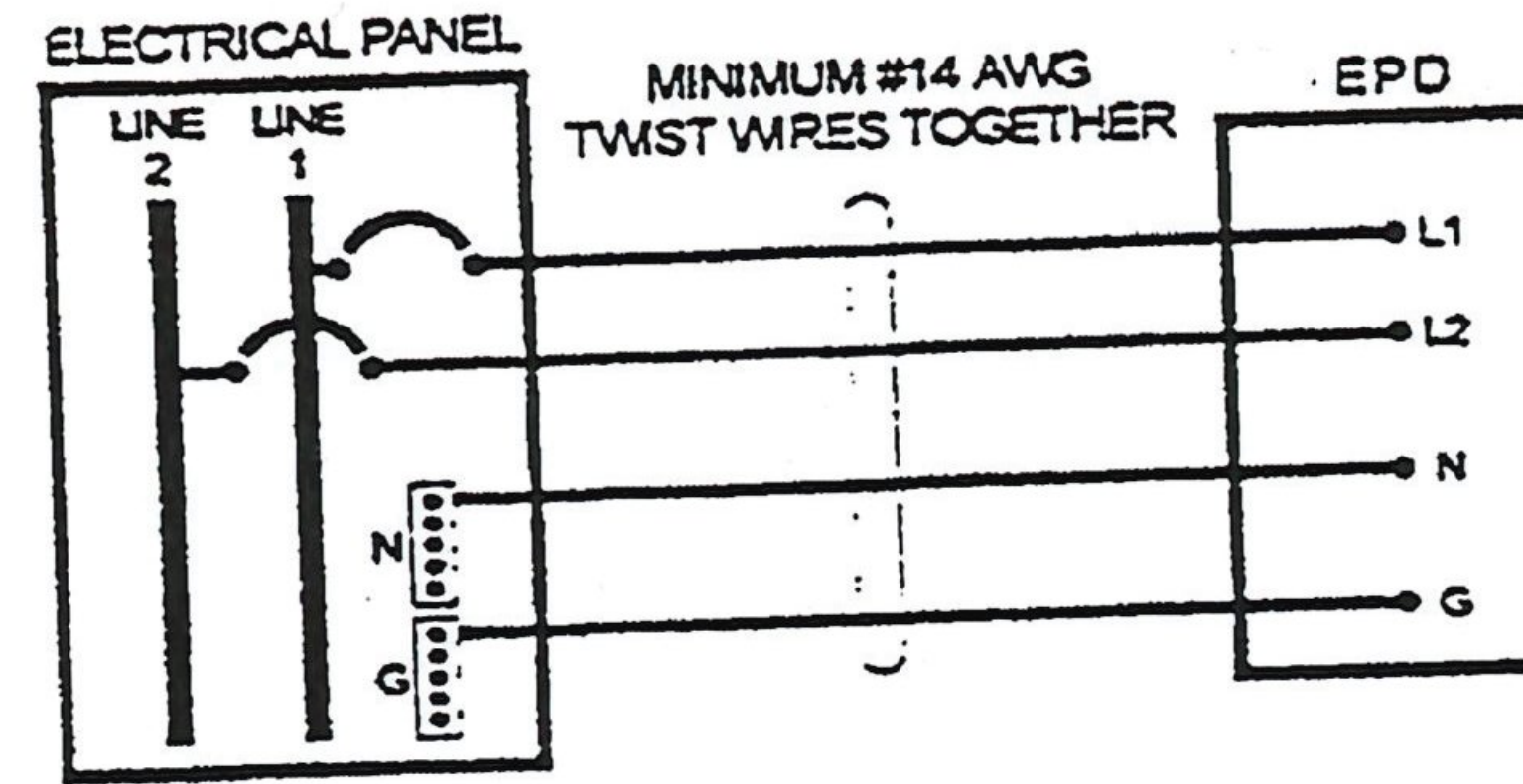


FIGURE 7: WIRING DIAGRAM FOR HPN -003 AND HPN -005

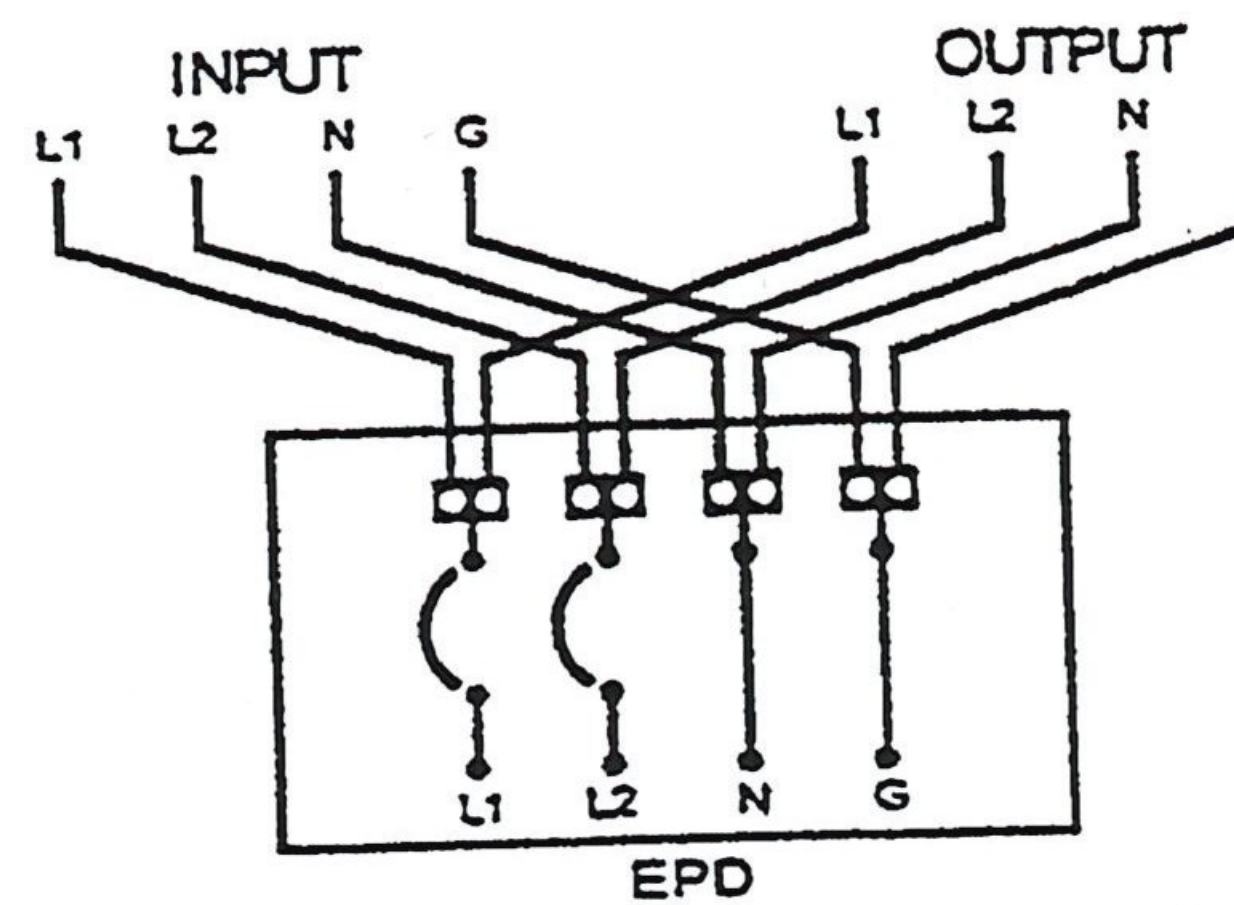



FIGURE 9: WIRING DIAGRAM FOR HPN -004

		REV
		CC0
 Harmon Industries Grain Valley, MO		
Title SURGE PROTECTOR WITH INDICATORS		
Drawing No. 010132-XXX		Sheet 3 of 3