

This Drawing, which contains proprietary information is the property of General Electric Company. It shall not be reproduced in any manner nor disclosed to third parties without written permission of General Electric Company

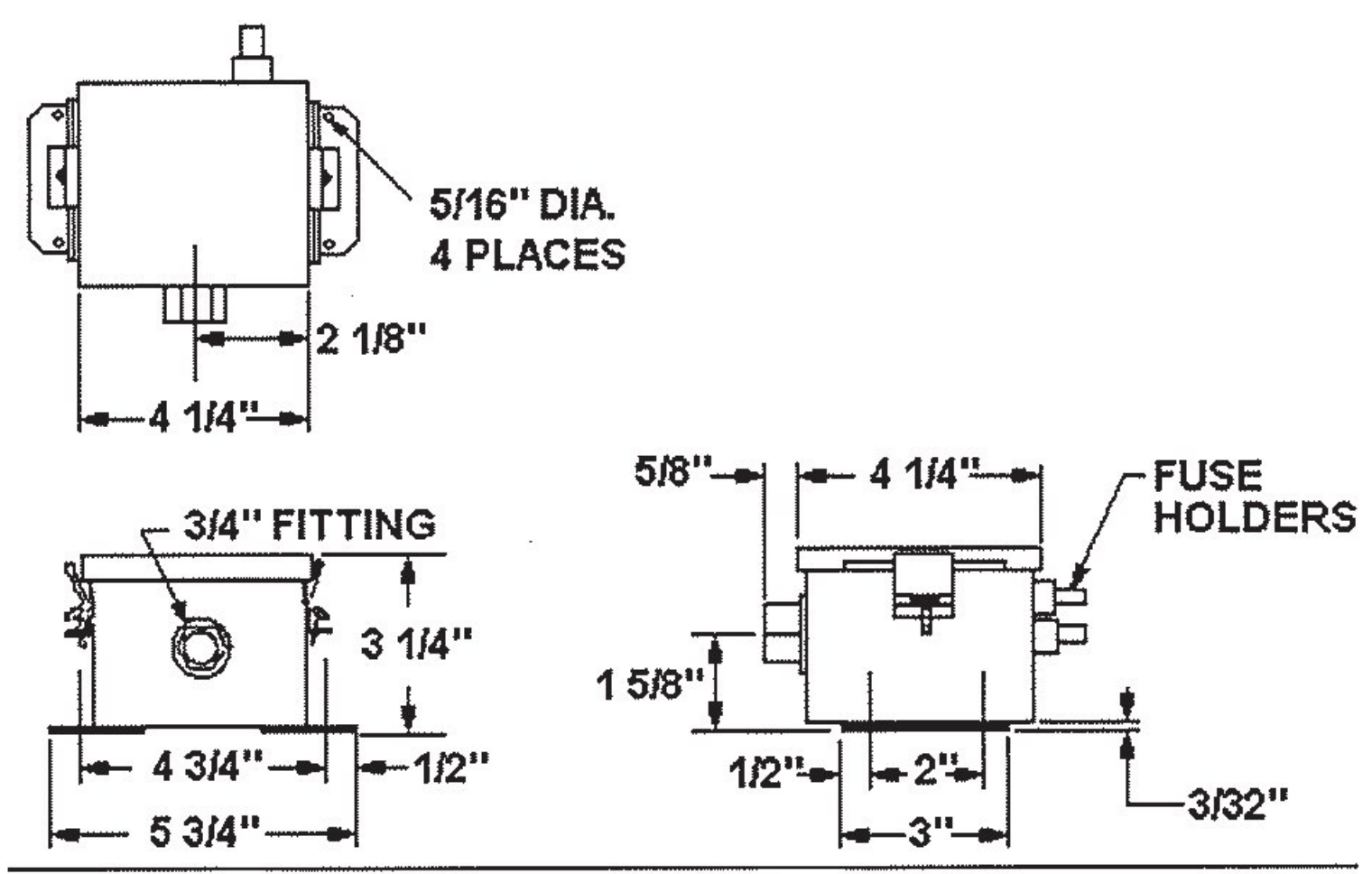


FIGURE 1: SURGE PROTECTOR HPN -000

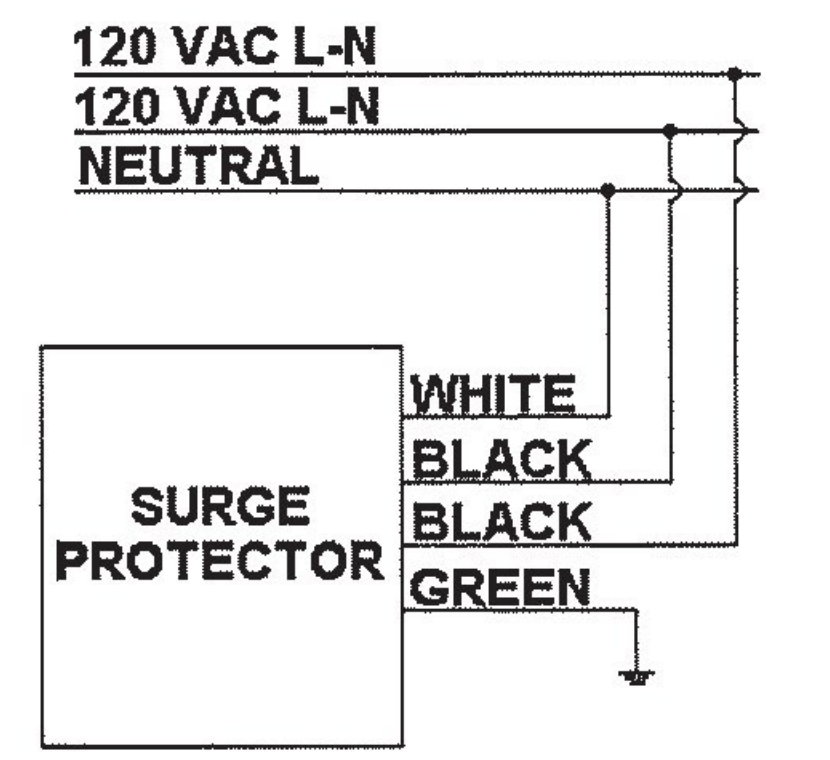


FIGURE 2: WIRING DIAGRAM FOR HPN -000

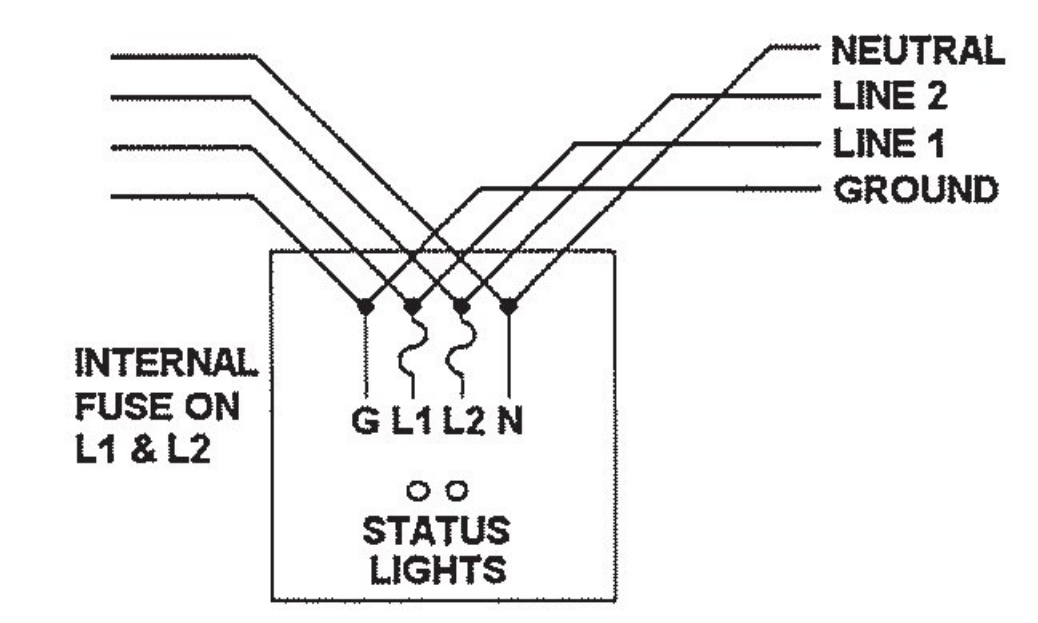


FIGURE 5: WIRING DIAGRAM FOR HPN -002

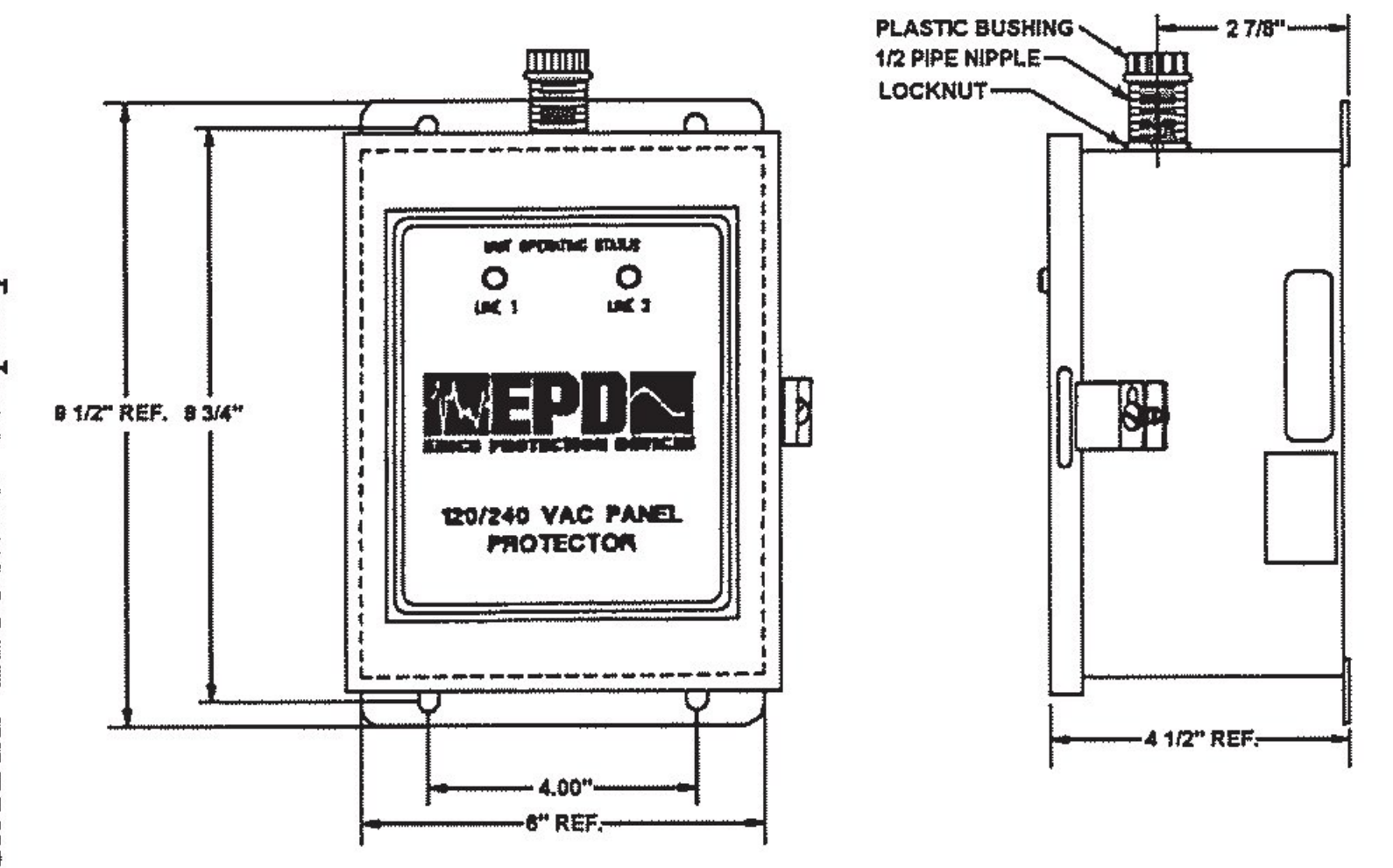


FIGURE 3: SURGE PROTECTOR HPN -001

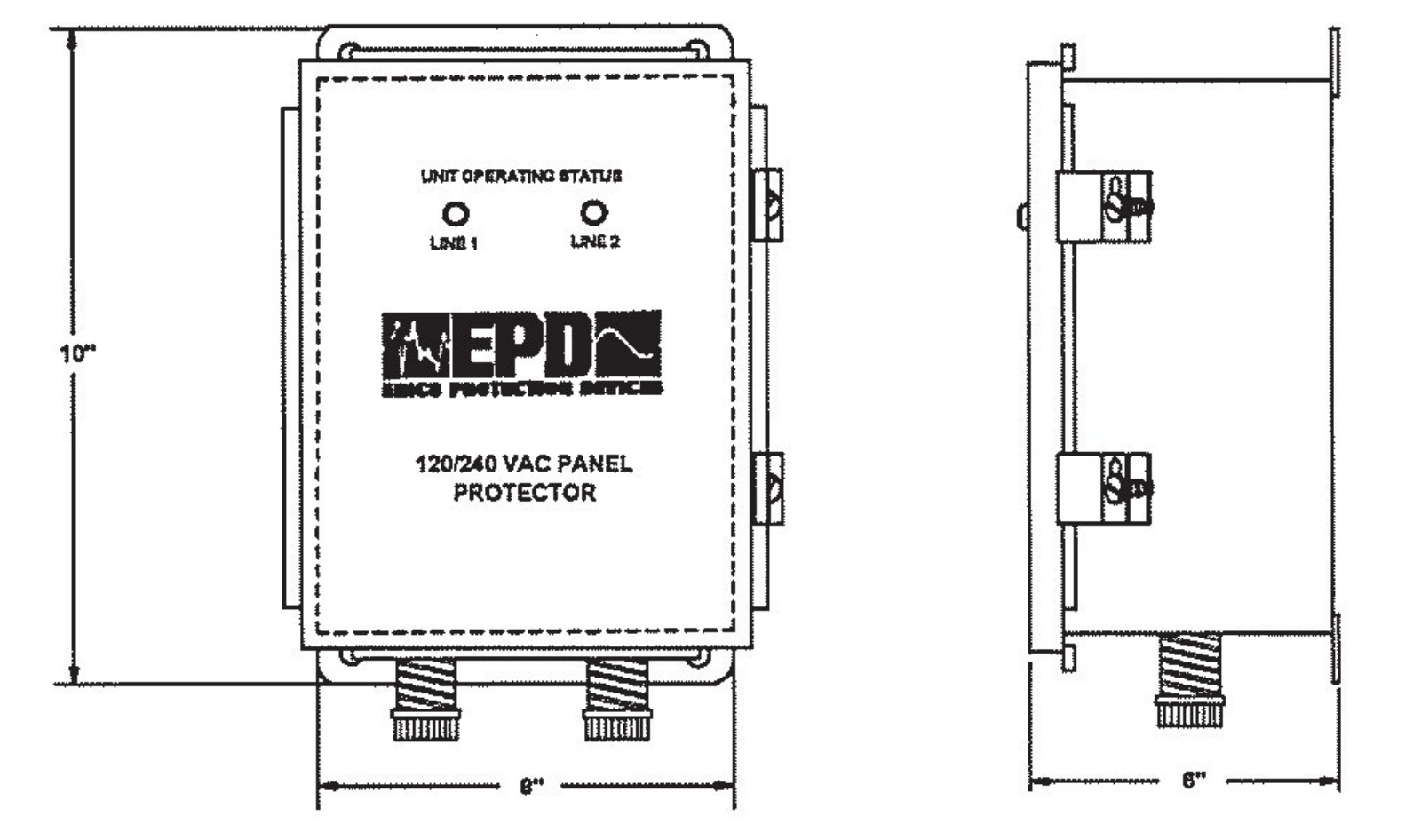
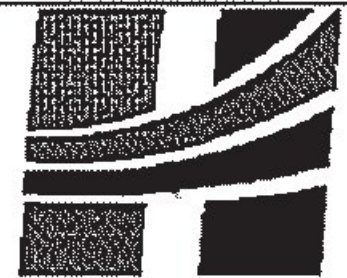


FIGURE 4: SURGE PROTECTOR HPN -002

		REV
		CC0
 Harmon Industries Grain Valley, MO		
Title SURGE PROTECTOR WITH INDICATORS		
Drawing No.	010132-XXX	Sheet 2 of 3