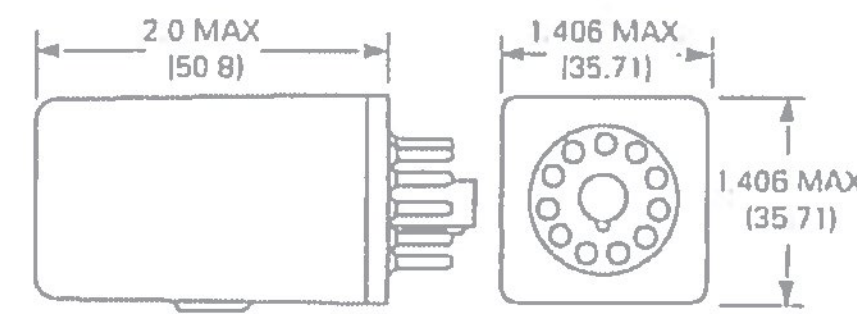


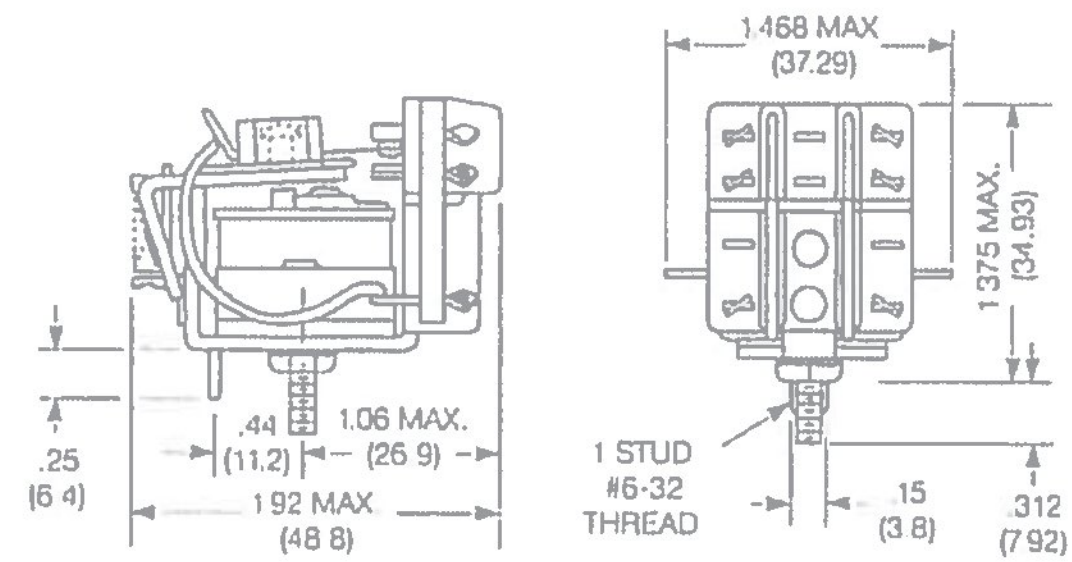
**KRPA Series Panel Plug-in Relay (Continued)**

Dimensions

KRPA

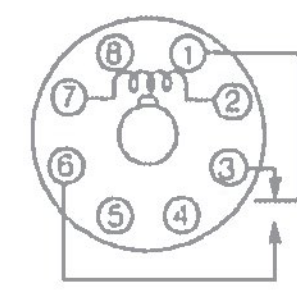


KA

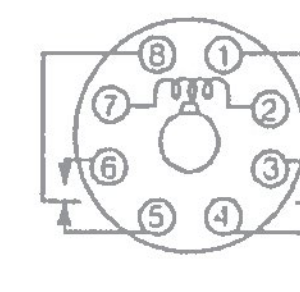


Terminal assignment

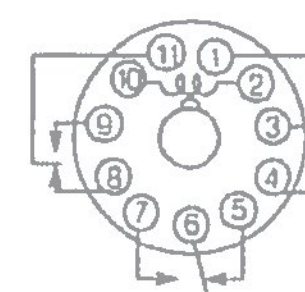
KRPA  
1 form C



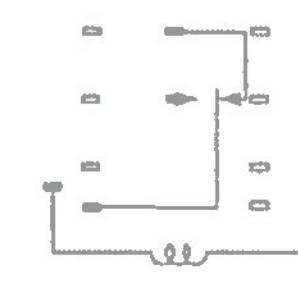
KRPA  
2 form C



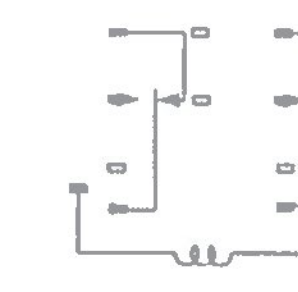
KRPA  
3 form C



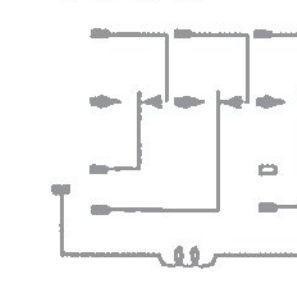
KA  
1 form C



KA  
2 form C



KA  
3 form C



Product code structure	Typical product code
Type	KRPA -5 A Y -120
<ul style="list-style-type: none"> <li>KRPA Enclosed relay with octal-style plug</li> <li>KA Open style relay with solder terminals</li> </ul>	
Contact arrangement and rating	
5 1 form C (CO)	11 2 form C (CO)
14 3 form C (CO)	
Coil input	
A AC, 50/60Hz	D DC
Contact material and indicator lamp option	
Y Ag, no indicator lamp	G AgCdO, no indicator lamp
N AgCdO, with indicator (Code N only available with relay type KRPA)	
Options	
Leave blank no additional options	
F Au flashed contacts	P Push to test button
(Options F and P only available with relay type KRPA)	
Coil voltage	
Coil code: please refer to coil versions table	