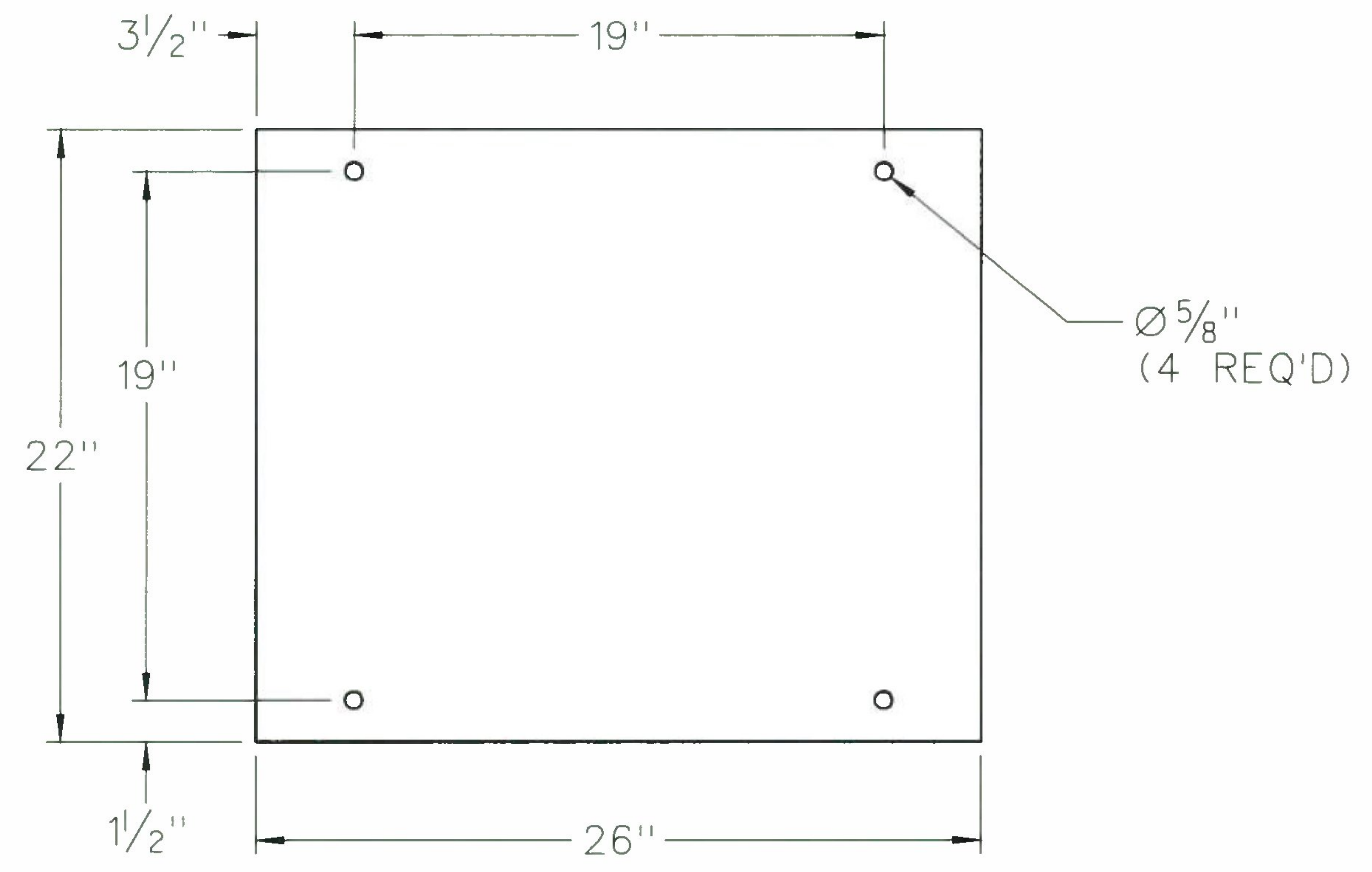


# BILL OF MATERIAL

WGT.	ITEM	DESCRIPTION	QTY. PER (1) ASS'Y	CUTTING QTY.	MP-CODES	PART NUMBER	DWG. NUMBER
41	1	1/4" H.R.S. PLATE 22" X 26"	1		P VP		

TOTAL WT. = 41 LBS      NOTE: DOMESTIC CERTIFICATION REQUIRED ON MATERIAL.

REV.	DATE	DESCRIPTION	BY
01	06/19/02	22" WAS 24", 19" WAS 21", 3 1/2" WAS 2 1/2" & 5/8" WAS 7/8" (ECR #02-082)	T.H.
02	12/30/11	ADDED NOTE PER D.C.	RM



S.O. \_\_\_\_\_  
 QTY. \_\_\_\_\_  
 FINISH: HOT DIP GALV.

TOLERANCES:  
 UNLESS OTHERWISE SPECIFIED  
 FRACTIONAL ± 1/16"  
 2 PLACE DEC. ± .03  
 3 PLACE DEC. ± .005  
 ANGULAR ± 1°



DESCRIPTION: **SHUNT PLATE**

DRAWN BY: E. ANDERSON  
 APPROVED: \_\_\_\_\_  
 SCALE: 1/2" = 1'-0"  
 ECN: 12/30/11  
 DATE: 4/29/99

PART NO. .RSHUNTPL  
 DWG. NO. A-4829-02