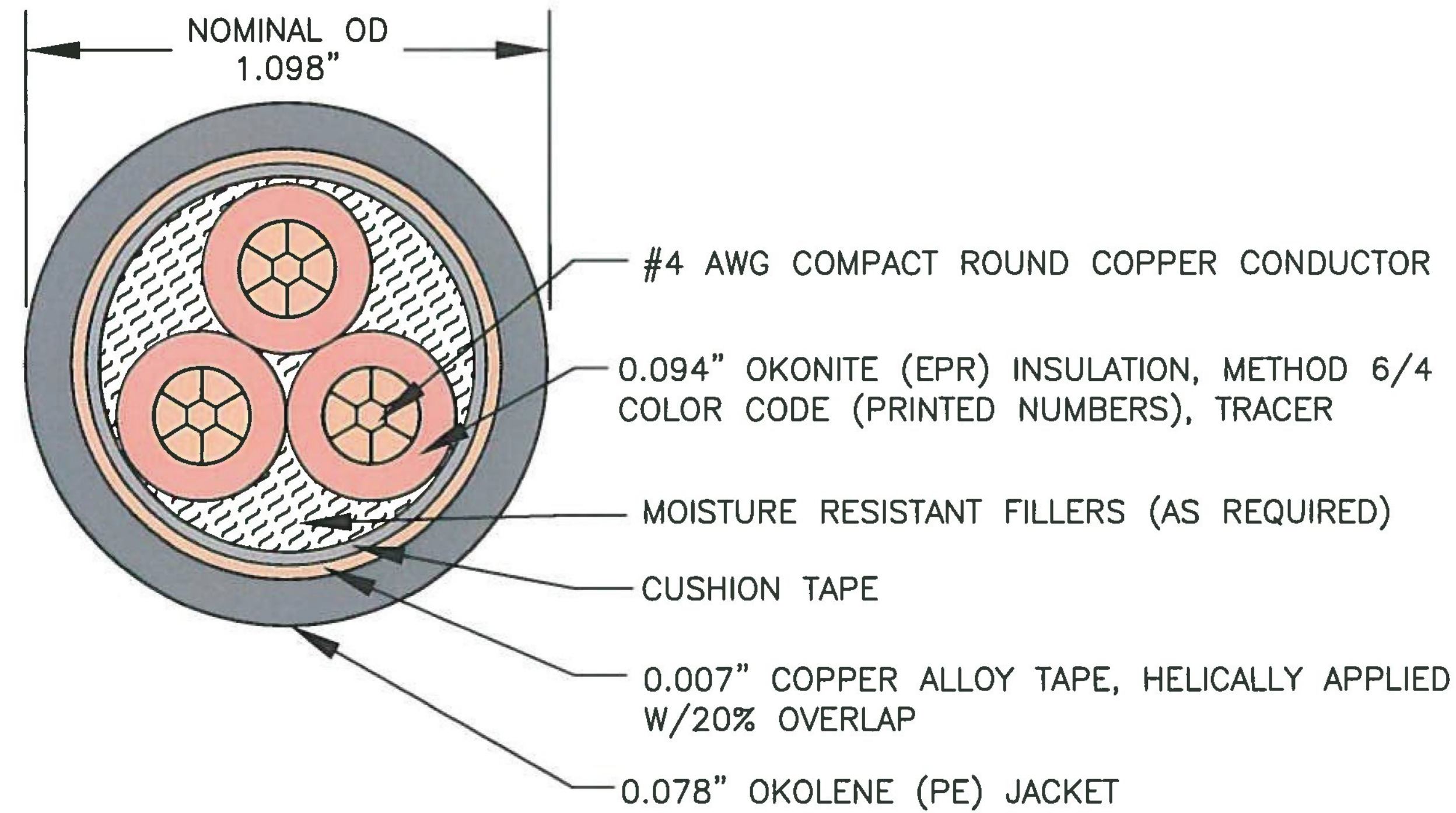


KEY
 EPR—ETHYLENE PROPYLENE RUBBER
 PE—POLYETHYLENE

RATINGS
 90C — CONTINUOUS
 130C — EMERGENCY
 250C — SHORT CIRCUIT
 600 VOLTS, CONTINUOUS



CABLE WEIGHT = 0.801 LBS/FT

G.E.T.S
OKONITE FO# 07-9175
OKONITE PC# 206-11-6373
CUSTOMER PO# 183-9029

3/C #4 AWG C/RD CU, OKONITE, CUSHION TAPE, COPPER ALLOY TAPE, OKOLENE 600V

THE OKONITE COMPANY
 RAMSEY, N.J. U.S.A.

DATE 1/9/12	SCALE NTS	REVISIONS
DR. NV	APP. JZJR	
DIR NBA	EST. NUMBER 35803	

DRAWING NUMBER
CS-18294