

FIGURE 'A'
FOUNDATION FOR CABLE POLE
BNSF# 613410999

FIGURE 'B'
FOUNDATION FOR SHELF TYPE RELAY HOUSING
BNSF# 613410987

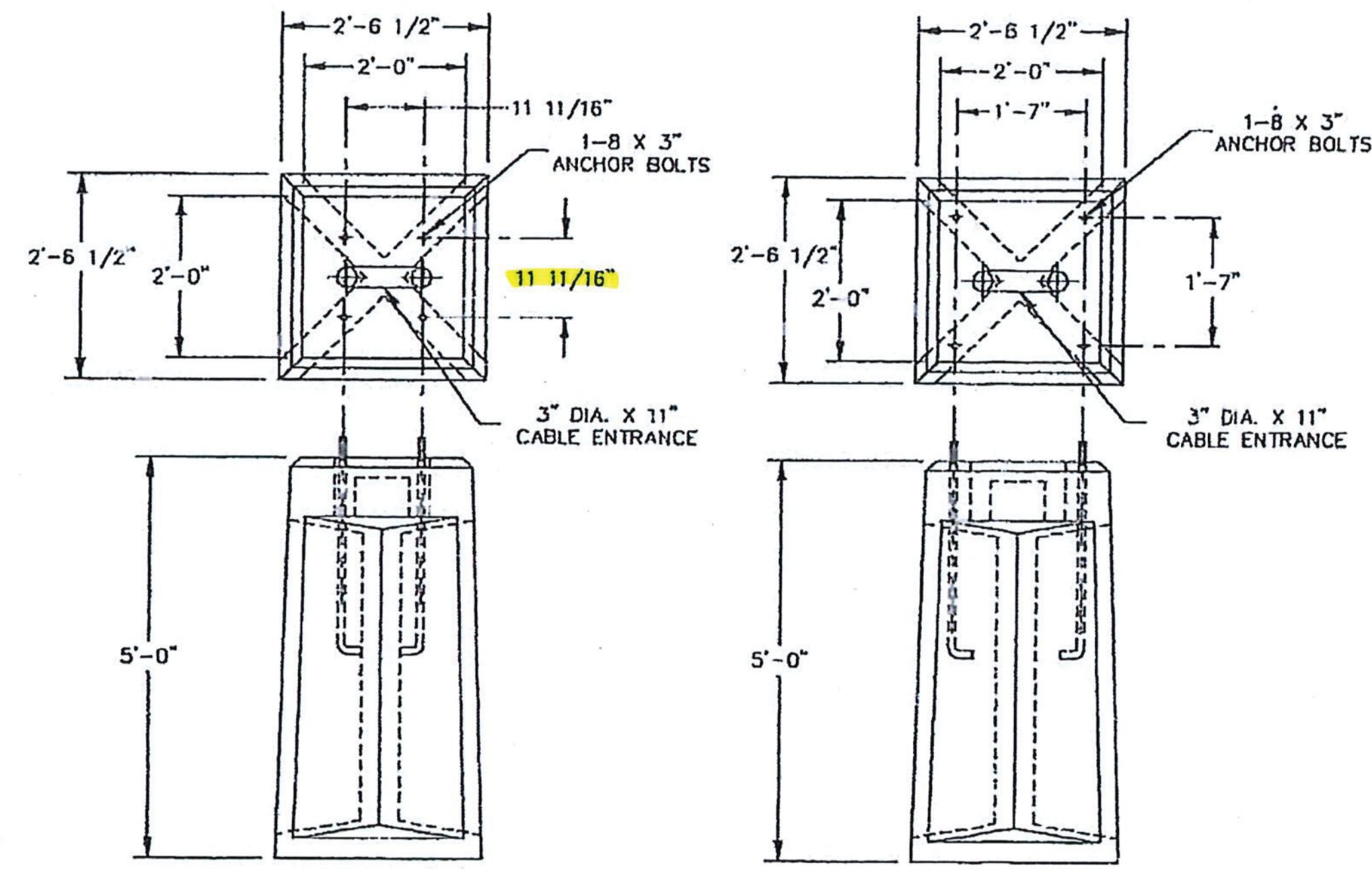


FIGURE 'C'
FOUNDATION FOR FLASHING LIGHT
CROSSING AND WAYSIDE SIGNALS
BNSF# 613410995

FIGURE 'D'
FOUNDATION FOR AUTOMATIC HIGHWAY CROSSING GATE
BNSF# 613410994

BURLINGTON NORTHERN SANTA FE					
SIGNAL DEPARTMENT					
PRE-CAST CONCRETE					
FOUNDATIONS					
REVISED TO DATE: 5/26/98	BY: [initials]	DESIGNED BY: DATE: 9/1/92	DRAWN BY: DATE: 9/1/92	SCALE: 3/8" = 1" 1 SHEET OF 1	STANDARD PLAN
					DRAWING NO: DG0005.00

1322-01
Gate Foundation