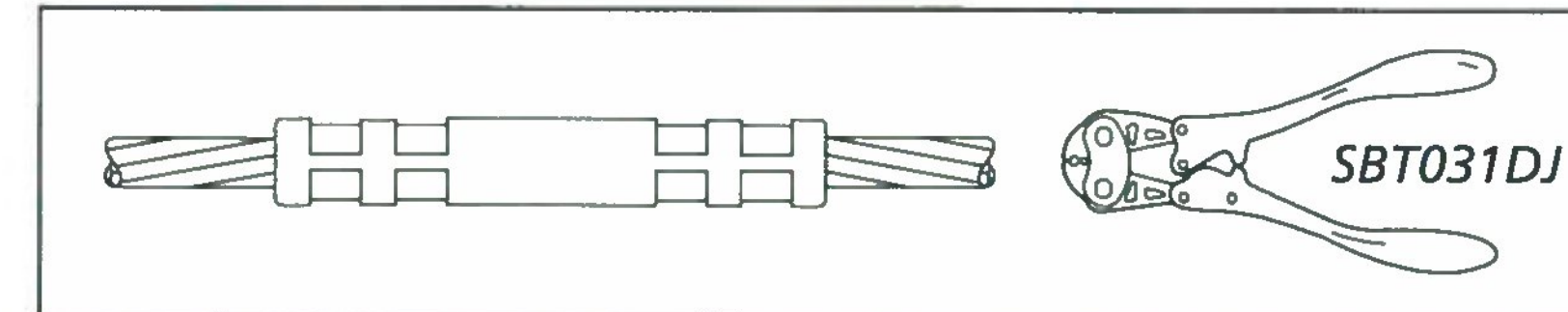


# Mechanical Connectors

## Associated Material

### Sleeves - Compression Type

Standard Package 100

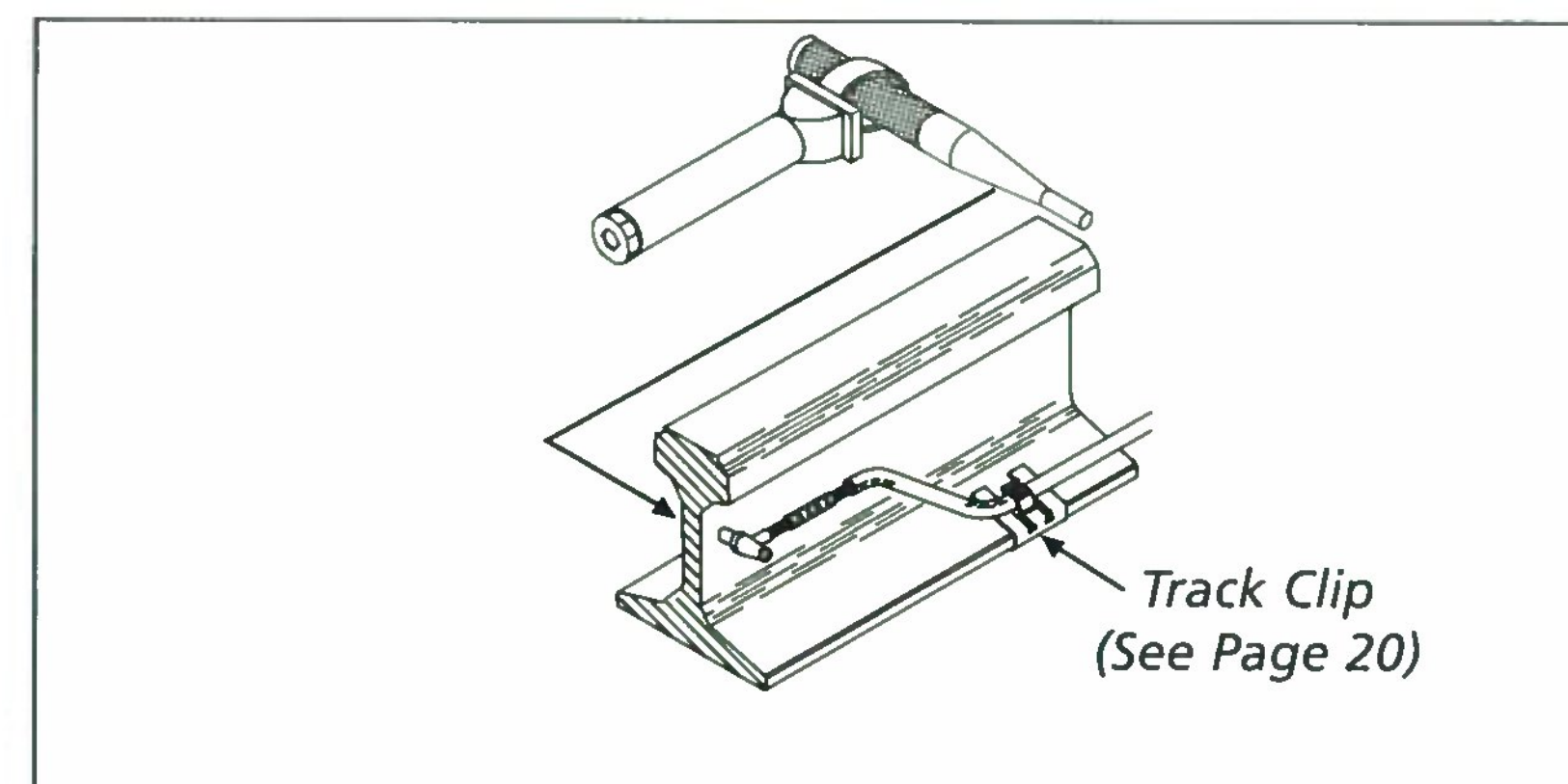


Part Number	3/16" Bond Strand To: Description
A2314J	#9 solid or #10 str
A2364J	#8 solid or #9 str
A2363J	#6 solid or #8 str
A2367J	#3/16" or #6 str
A2412J	1/4" Binding Post, Lug
SBT031DJ	Compression Tool

### No-Oxide Grease

Part Number	Description
T369	1 ounce tube

### Bond Removal Punch



Part Number	Description
SBT382B	Punch Only
SBT408	Plastic Handle Only
SBT382BWH	Punch w/Handle
SBT382BWPH	Punch w/Plastic Handle